
EXPLODED VIEWS AND PARTS LIST

[MATERIAL CODE STANDARDS]

Material codes and names and their respective naming rules are managed in accordance with the prescribed standards. Please refer to these standards when requesting a material.

1. Material Code Type

● : Number

■ : Letter (Alphabet)

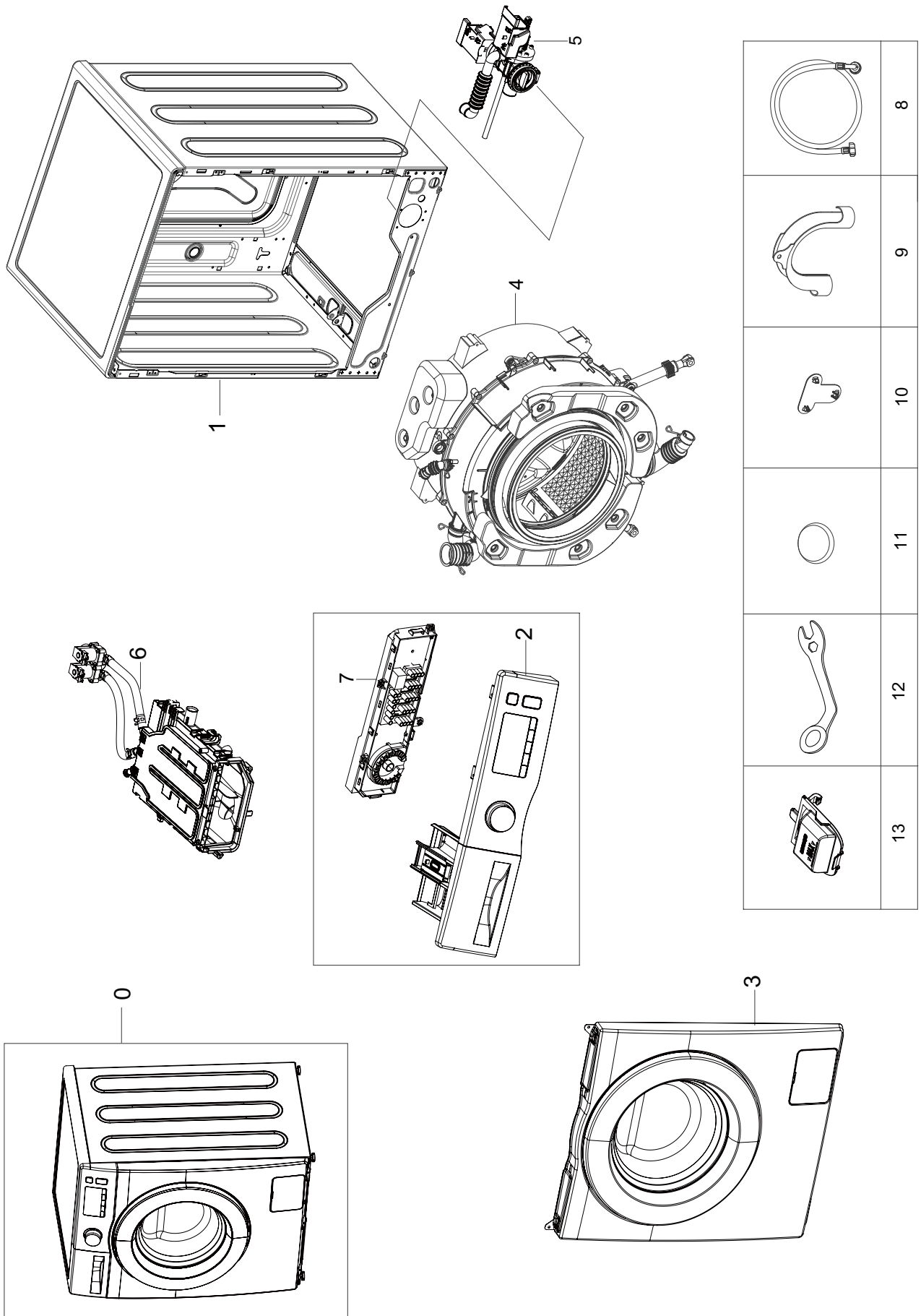
| | | |
|---------------|--|---|
| Type 1 | ●●●●-●●●● ex) 0204-000418 FREON | Enterprise-wide parts Type 1 materials can be used for all Samsung Electronics products. (Most electrical parts belong to this type.) |
| Type 2 | ■■●●-●●●●■ ex) DC96-01390A ASSY-CONTROL | Division-wide parts (DC**-Washing machine) Type 2 materials can be used for specific products. (Most instruments and tools belong to this type.) |

2. Ass'y Materials

All ass'y material codes start with DC9*.

An ass'y material is created by combining more than two materials. If a requested material cannot be provided, you can request an ass'y material that contains that material.

1. MAIN



MODEL CODE: WW70J3467KW/EF

Service Bom (SA: SERVICE AVAILABLE, SNA: SERVICE NOT AVAILABLE)

| SVC Code | Code No. | Description | Specification | QTY | Un | SA/SNA |
|----------|-------------|------------------------|---------------------------------|-----|----|--------|
| 0 | - | WW70J3467KW/EF | - | 1 | - | - |
| 1 | - | FRAME & COVER PARTS | - | 1 | - | - |
| 2 | - | PANEL CONTROL & DRAWER | - | 1 | - | - |
| 3 | - | FRAME FRONT & DOOR | - | 1 | - | - |
| 4 | DC90-18870A | ASSY TUB&DRUM | WW70J3467KW/EF | 1 | PC | SNA |
| 5 | DC97-16441E | ASSY PUMP DRAIN | WD7100JC,Bubble,220V-240 | 1 | PC | SNA |
| 6 | DC97-18572A | ASSY HOUSING DRAWER | WW3~6000,7kg | 1 | PC | SNA |
| 7 | DC92-01783C | ASSY KIT | FWM_UNI,WW3000 UNI KIT,AEGIS ST | 1 | PC | SNA |
| 8 | DC97-16921A | ASSY HOSE WATER | WA5700J | 1 | PC | SC |
| 9 | DC62-10278A | HOSE HANGER | PUMP MODEL,PP,BLACK | 1 | PC | SA |
| 10 | DC67-00208B | CAP-FIXER | WF8602NHS/XFA,PP,T1.5,P535-H,B | 1 | PC | SA |
| 11 | DC67-00251B | CAP-FIXER | WF8602NHS/XFA,PP,T1.8,OD34.7,B | 4 | PC | SA |
| 12 | DC60-00104A | FASTENER-BOLT | ALL,CR,OD36,2.5,L113.5 | 1 | PC | SA |
| 13 | DC61-03510A | GUIDE LIQUID | WF-F500E,PP,MT43,Honesty BI | 1 | PC | SA |

MODEL CODE: WW70J3467KW/EF

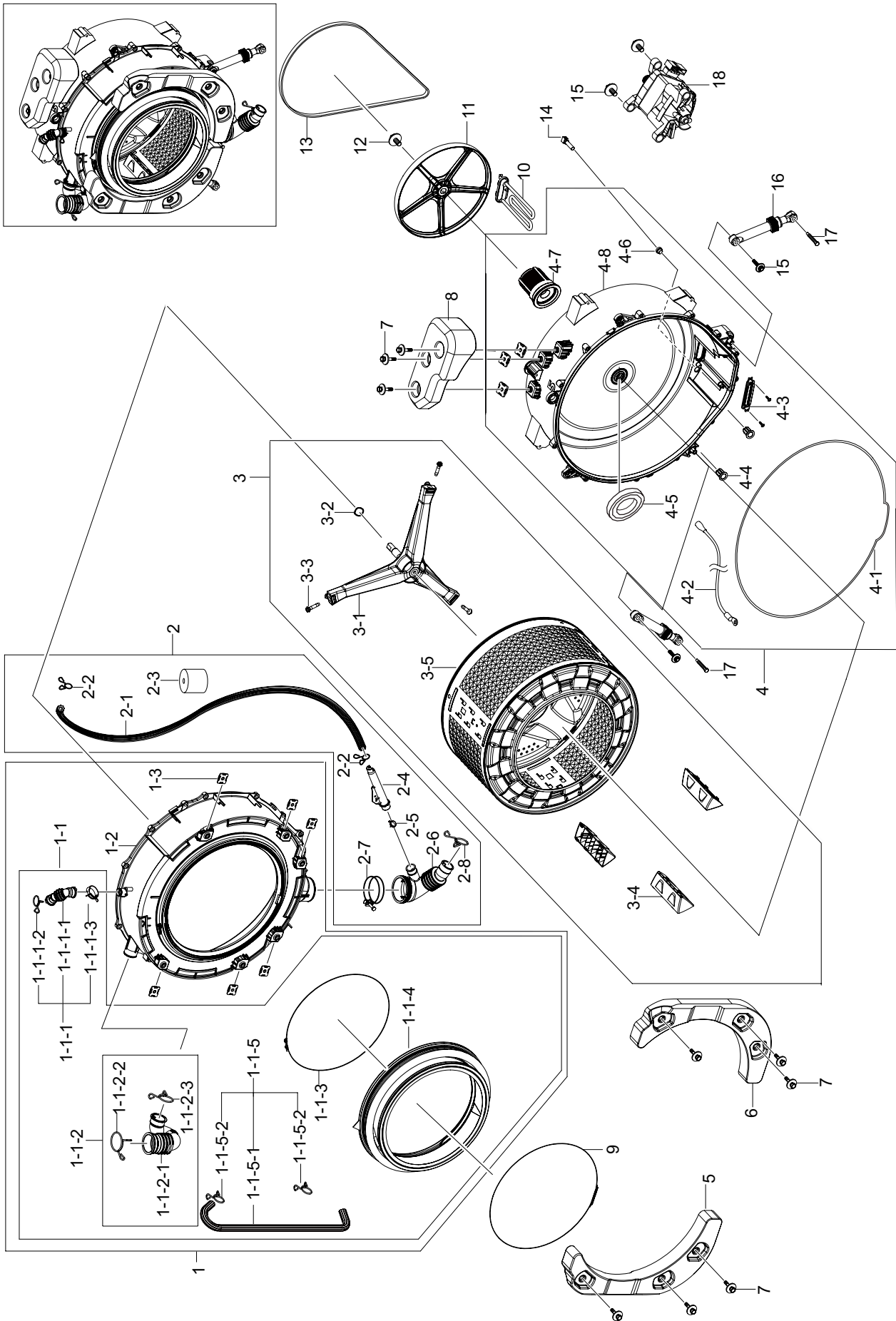
Service Bom (SA: SERVICE AVAILABLE, SNA: SERVICE NOT AVAILABLE)

| SVC Code | Code No. | Description | Specification | QTY | Un | SA/SNA |
|----------|-------------|------------------------|---------------------------------|-----|----|--------|
| 1 | DC97-16441E | ASSY PUMP DRAIN | WD7100JC,Bubble,220V-240 | 1 | PC | SNA |
| 1-1 | DC61-02505A | CASE PUMP | SUNNY-PJT,PP,-,WHITE,- | 1 | PC | SA |
| 1-2 | DC31-00030H | PUMP-DRAIN | 220V-240V,50Hz,30W, 30mm | 2 | PC | SA |
| 1-3 | DC63-01610A | COVER PUMP | WF8500NHX-XSC,PP,T2.1,V0,WHIT | 2 | PC | SA |
| 1-4 | DC96-01567C | ASSY WIRE HARNESS | AEGIS 3- PJT,WF0702WKN | 1 | PC | SA |
| 1-5 | DC67-00526A | HOSE AIR TUB | AEGIS3-PJT,EPDM,T2.8,BLK | 1 | PC | SA |
| 1-6 | DC61-00158A | CLAMPER HOSE | SW65ASP,SK5,ID23,T0.8,- | 2 | PC | SNA |
| 1-7 | DC67-00244N | HOSE DRAIN | AEGIS 3,EPDM,ID6,OD10,T2.0,L2 | 1 | PC | SA |
| 1-8 | DC63-00955A | PACKING-PUMP | AEGIS,EPDM,W26.3,L13.2,H14. | 1 | PC | SA |
| 1-9 | DC69-01232A | PACKING-PUMP | AEGIS,EPDM,-,-,W45,L22,H22 | 1 | PC | SA |
| 1-10 | DC97-15695C | ASSY FILTER | Heba,WF9904CWN1 | 1 | PC | SA |
| 1-10-1 | DC63-00998A | FILTER PUMP | SCOUT-PJT,PP,-,NEAT WHITE,BU | 1 | PC | SA |
| 1-10-2 | DC73-00022A | SEAL PACKING | SEW-HVR149ATA,EPDM,BLK,- | 1 | PC | SA |
| 1-10-3 | DC64-02783A | HANDLE FILTER | WF350ANW/XAA,PP,T2.3,W63.8 | 1 | PC | SA |
| 2 | DC97-18338L | ASSY PAINT FRAME | WW3000~6000,WW70J4263KW | 1 | PC | SA |
| 2-1 | DC97-18708F | ASSY FRAME | WW3000~6000,WW70J4263KW/AH,DA | 1 | PC | SNA |
| 2-2 | DE65-20026A | HOLDER WIRE | PA,NTR,LOCK-TWIST/STAND/Y260 | 1 | PC | SNA |
| 2-3 | DC61-01901A | GUIDE FRAME FRONT | ALL MODEL,POM,T5.5,K30 | 2 | PC | SNA |
| 2-4 | DC61-40081A | HOLDER WIRE | DAWH-2NC,PA66,-,NATURAL,- | 7 | PC | SA |
| 2-5 | DC61-00133A | CLAMPER HOSE-FIX | P1291,PP,-,HOSE+PLUG,BJ | 2 | PC | SA |
| 2-6 | DC97-00920H | ASSY LEG | -,ALL EXCEPT AUSTRALI MODEL,L33 | 4 | PC | SA |
| 3 | DC27-00008A | COIL HARMONIC | 730uH,33*40*18 | 1 | PC | SNA |
| 4 | DC93-00530D | ASSY WIRE HARNESS-MAIN | DRUM-M,WW70J4263K | 1 | PC | SA |
| 5 | DC97-18770D | ASSY COVER TOP | WW3000~6000,AEGIS 7KG PLA | 1 | PC | SA |
| 6 | DC97-17948B | ASSY COVER BACK | AEGIS | 1 | PC | SA |
| 6-1 | DC63-00862C | COVER BACK | WF8600NMW,GI-SGCC,T0.35,W352, | 1 | PC | SA |
| 7 | DC96-00146A | ASSY POWER CORD | VDE,EU3F,E.U,250V/16A,H0 | 1 | PC | SA |
| 8 | DC97-14291D | ASSY HOSE DRAIN(O) | Aegis-PJT,SSEC,LIGHT | 1 | PC | SA |
| 9 | DC97-18810A | ASSY FRAME PLATE-UP | WW5000J,WW70J4263KW | 1 | PC | SA |
| 9-1 | DC61-03969B | FRAME PLATE-UP | GI-SGCC,T1.2,WW5000 | 1 | PC | SNA |
| 10 | DC61-02146A | SPRING ETC-HANGER | AEGIS-PJT,HSWR-SWRH,CD | 2 | PC | SA |
| 11 | DC96-01703G | SENSOR PRESSURE | Air,5,-,400mmH20,- | 1 | PC | SA |
| 12 | DC29-00005A | FILTER-EMI | AC 250V,15A,38*81*PI38,CAN,VD | 1 | PC | SA |
| 13 | DC97-14794A | ASSY FIXER TUB | HEBA-PJT/7kg,WF8702LS | 4 | PC | SA |
| 13-1 | 6011-001669 | BOLT-HEX | M7,L160,ZPC2,SCM435,TAPPING | 4 | PC | SNA |
| 13-2 | DC60-60044B | WASHER PLAIN | SBC,ID8.4/OD30,T2.0 | 4 | PC | SA |
| 13-3 | DC73-00024A | FIXER RUBBER | Aegis-PJT,EPDM,BLACK | 4 | PC | SNA |
| 13-4 | DC61-02028A | FIXER TUB | FRPP,NTR,7kg | 4 | PC | SNA |

MODEL CODE: WW70J3467KW/EFService Bom (**SA**: SERVICE AVAILABLE, **SNA**: SERVICE NOT AVAILABLE)

| SVC Code | Code No. | Description | Specification | QTY | Un | SA/SNA |
|----------|-------------|--------------|-----------------------------|-----|----|--------|
| 14 | DC61-00118A | CLAMP-CABLE | P1291,PA66,NATURAL,NC0001 | 1 | PC | SA |
| 15 | DC64-03268A | SHUTTER | PP,5V-A,FC2305,WHITE | 1 | PC | SNA |
| 16 | DC61-02140A | GUIDE SPRING | WF8500NMW,POM,T3.5,W24,L40. | 2 | PC | SNA |
| 17 | DC61-10673C | CAP DRAIN | WF1802XEY/XSC,FRPP,BLACK | 1 | PC | SA |

3. ASS'Y TUB DRUM



MODEL CODE: WW70J3467KW/EF

Service Bom (SA: SERVICE AVAILABLE, SNA: SERVICE NOT AVAILABLE)

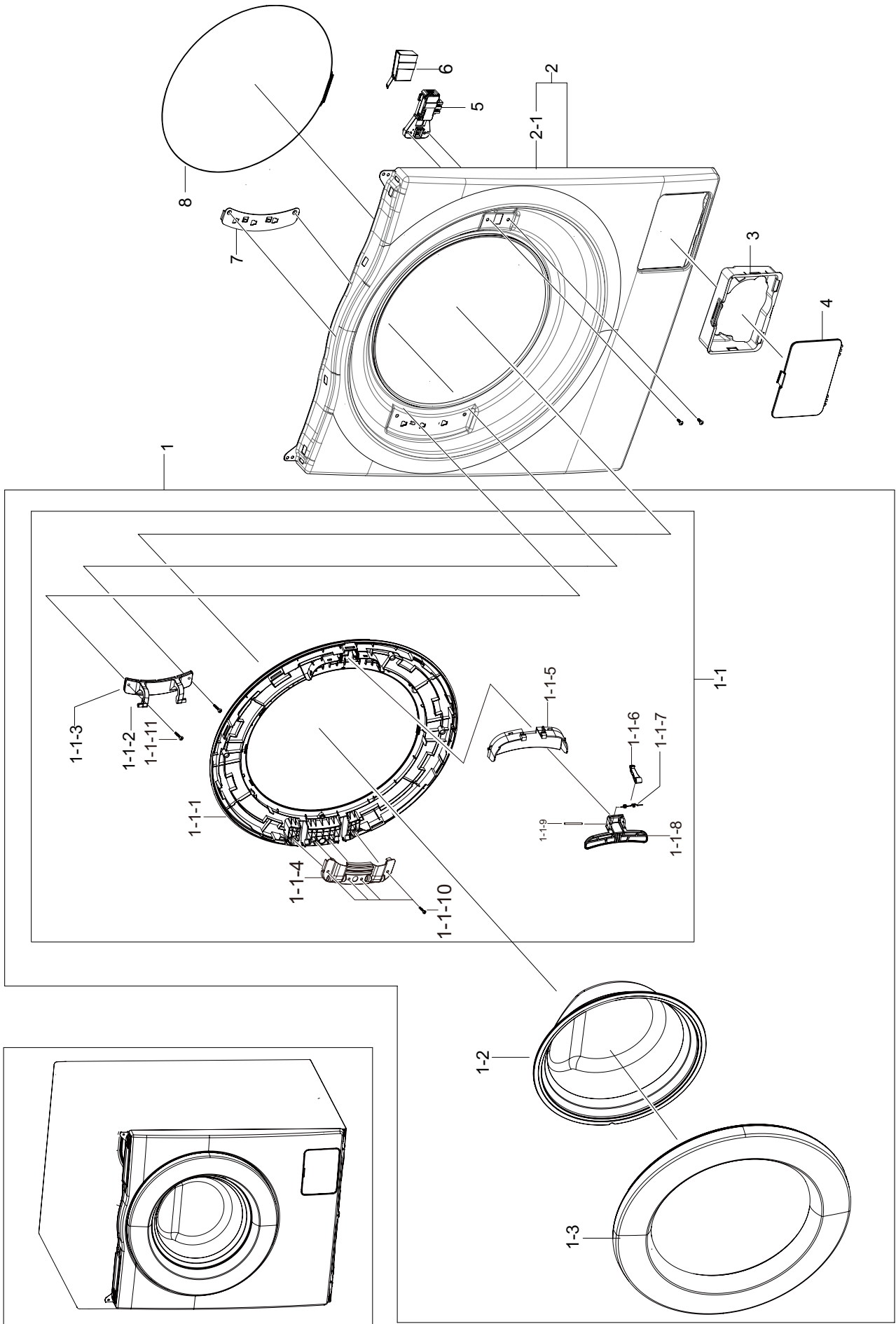
| SVC Code | Code No. | Description | Specification | QTY | Un | SA/SNA |
|----------|-------------|----------------------|---------------------------------|-----|----|--------|
| 1 | DC97-16444R | ASSY SEMI TUB FRONT | WW3000~6000J | 1 | PC | SA |
| 1-1 | DC97-16447H | ASSY TUB FRONT | WW3000~6000J | 1 | PC | SNA |
| 1-1-1 | DC97-18866A | ASSY HOSE AIR | WW4000J,WW60J4213JW/UA | 1 | PC | SA |
| 1-1-1-1 | DC67-00647A | HOSE AIR | WF906U4SAWD,EPDM,ID19.6,T1.7,50 | 1 | PC | SA |
| 1-1-1-2 | DC65-60118J | CLIP RING | HSWR-SWRH,-,PI2.0/ID23 | 1 | PC | SNA |
| 1-1-1-3 | DC61-00158A | CLAMPER HOSE | SW65ASP,SK5,ID23,T0.8,- | 1 | PC | SNA |
| 1-1-2 | DC97-18722A | ASSY HOSE DRAWER | WW5000J,WW70J5210GW/UA | 1 | PC | SA |
| 1-1-2-1 | DC67-00474A | HOSE-DRAWER TUB | WW3000,EPDM,T2.0,BLACK | 1 | PC | SA |
| 1-1-2-2 | DC72-00001G | CLIP RING | HEBA-PJT,HSWR-SWRH,T3.0,ID49.5 | 1 | PC | SNA |
| 1-1-2-3 | DC65-60118R | CLIP RING | AEGIS-PJT,HSWR-SWRH,T3.0,ID37 | 1 | PC | SA |
| 1-1-3 | DC91-12077G | ASSY CLAMP DIAPHRAGM | AEGIS,WF8500NHW/YLP | 1 | PC | SA |
| 1-1-4 | DC64-03198A | DOOR DIAPHRAGM | WW6,5,4,3000J,EPDM,-,-,-, | 1 | PC | SA |
| 1-1-5 | DC97-17516A | ASSY HOSE AIR | AEGIS_BUBBLE,WF0702WKV/YLP | 1 | PC | SA |
| 1-1-5-1 | DC67-00606A | HOSE AIR | AEGIS 2A COMBO BUBBLE-PJT,EPDM, | 1 | PC | SA |
| 1-1-5-2 | DC65-60118H | CLIP-RING | HSWR-SWRH,SEW-740DR,PI15 | 2 | PC | SNA |
| 1-2 | DC61-03213A | TUB FRONT | AEGIS 2A COMBO BUBBLE,FRPP,OD5 | 1 | PC | SA |
| 1-3 | DC61-40348B | BRACKET NUT | SBHG-R,T3,NO-PAINT | 9 | PC | SA |
| 2 | DC97-14637B | ASSY HOSE PRESSURE | No PBA,No Hook | 1 | PC | SA |
| 2-1 | DC67-00230D | HOSE WATER | AEGIS-PJT,TPE,ID4.5,OD8,T1.75 | 1 | PC | SNA |
| 2-2 | DC61-70029C | CLIP RING | SEW-HW125,HSWR-SWRH,WHITE | 2 | PC | SNA |
| 2-3 | DC63-10003H | ABSORBER SPONGE | -,PUR FOAM,H35,HB,BLACK | 1 | PC | SNA |
| 2-4 | DC67-00297A | HOSE JOINT AIR | HEBA&Aegis-PJT,PP,L167.3, | 1 | PC | SNA |
| 2-5 | DC61-00219B | CLAMPER HOSE | SK5,WLSL1100A,ID24 OD26.4 | 1 | PC | SNA |
| 2-6 | DC67-00335A | HOSE FILTER TUB | AEGIS-PJT,EPDM,ID64.5 | 1 | PC | SA |
| 2-7 | DC65-00021A | CLAMPER HOSE-JOINT | HEBA PJT,HSWR-SWRH,ID | 1 | PC | SNA |
| 2-8 | DC72-00001H | CLIP RING | HEBA-PJT,HSWR-SWRH,WHITE | 1 | PC | SNA |
| 3 | DC97-15187F | ASSY DRUM | WF702Y4BKWQ/EG | 1 | PC | SA |
| 3-1 | DC97-15185A | ASSY FLANGE SHAFT | 6KG,,,,, | 1 | PC | SA |
| 3-2 | 6031-001632 | WASHER-WAVE | SK5,ID30,OD33.8,T0.6,ZPC | 1 | PC | SNA |
| 3-3 | DC60-40137A | BOLT-HEX | MARS-PJT,STS430,M8,P1.25,L30,HE | 3 | PC | SA |
| 3-4 | DC66-00523A | DRUM LIFTER | AEGIS-PJT,PP,T2.5,L160.8,TI4 | 3 | PC | SA |
| 3-5 | DC66-00774A | DRUM WRAPPER | AEGIS-PJT/6.0kg,STAINLESS-S | 1 | PC | SNA |
| 4 | DC97-15236B | ASSY SEMI TUB BACK | AEGIS-PJT,6205/6206,6 | 1 | PC | SA |
| 4-1 | DC62-40183A | PACKING-TUB | SWF-P12,Rubber,EPDM,BLK | 1 | PC | SA |
| 4-2 | DC93-00015A | ASSY WIRE EARTH | AEGIS,5KG,230V/50HZ,EART | 1 | PC | SA |
| 4-3 | DC61-02874A | BRACKET HEATER | WD0704CQR,STAINLESS-STS43 | 1 | PC | SNA |
| 4-4 | DC61-01097A | BUSH MOTOR | PA,-,-,PA66(2110R) | 1 | PC | SNA |
| 4-5 | DC62-00008A | SEAL OIL | NBR,BLACK,-,NBU | 1 | PC | SA |

MODEL CODE: WW70J3467KW/EF

Service Bom (SA: SERVICE AVAILABLE, SNA: SERVICE NOT AVAILABLE)

| SVC Code | Code No. | Description | Specification | QTY | Un | SA/SNA |
|----------|-------------|------------------------|---------------------------------|-----|----|--------|
| 4-6 | DC69-00824A | PACKING-THERMISTOR | GW-PJT,EPDM,-,-,W17,H | 1 | PC | SNA |
| 4-7 | DC97-15191A | ASSY HOUSING BEARING | AEGIS-PJT,1400RPM/6 | 1 | PC | SNA |
| 4-8 | DC61-02217A | TUB BACK | AEGIS 6kg-1400RPM,FRPP,NTR,GENE | 1 | PC | SNA |
| 5 | DC67-00538D | WEIGHT BALANCER-LEFT | WW6000J,CONCRETE,NE | 1 | PC | SA |
| 6 | DC67-00539D | WEIGHT BALANCER-RIGHT | WW6000J,CONCRETE,N | 1 | PC | SA |
| 7 | DC97-02412P | ASSY BOLT | ALL MODEL(WEIGHT-BALANCER) | 9 | PC | SA |
| 8 | DC67-00483A | WEIGHT BALANCER-UP | AEGIS-PJT,CONCRETE,15 | 1 | PC | SA |
| 9 | DC91-12078E | ASSY WIRE DIAPHRAGM | AEGIS,WF8500NHW/YLP, | 1 | PC | SA |
| 10 | DC47-00033B | HEATER WASH | AC230V,2000W,SUS316L,728mm,N | 1 | PC | SA |
| 11 | DC66-00500A | PULLEY MOTOR | HEBA PJT,ALDC,OD296.8,1400R | 1 | PC | SA |
| 12 | DC97-06080A | ASSY BOLT | BOLT+WASHER,,,,,, | 1 | PC | SNA |
| 13 | 6602-001497 | BELT-TIMING GEAR | RUBBER(GATES),T3.2,1270 | 1 | PC | SA |
| 14 | DC32-00010C | THERMISTOR | WASHER,-10~100,5,5,3.243k ± 2 | 1 | PC | SA |
| 15 | DC97-14263A | ASSY BOLT | MOTOR/BOLT(M8)+WASHER(OD27.5), | 4 | PC | SA |
| 16 | DC66-00531A | DAMPER SHOCK | AEGIS-PJT,SBHG T1.0~2.0,70N | 2 | PC | SC |
| 17 | DC60-40144A | BOLT-HEX | SM10C,L35,ZPC2(YEL),M10,ZPC2(YE | 2 | PC | SA |
| 18 | DC31-00123F | MOTOR UNIVERSIAL DRIVE | Welling(UML 5204. | 1 | PC | SA |

4. ASS'Y FRAME FRONT

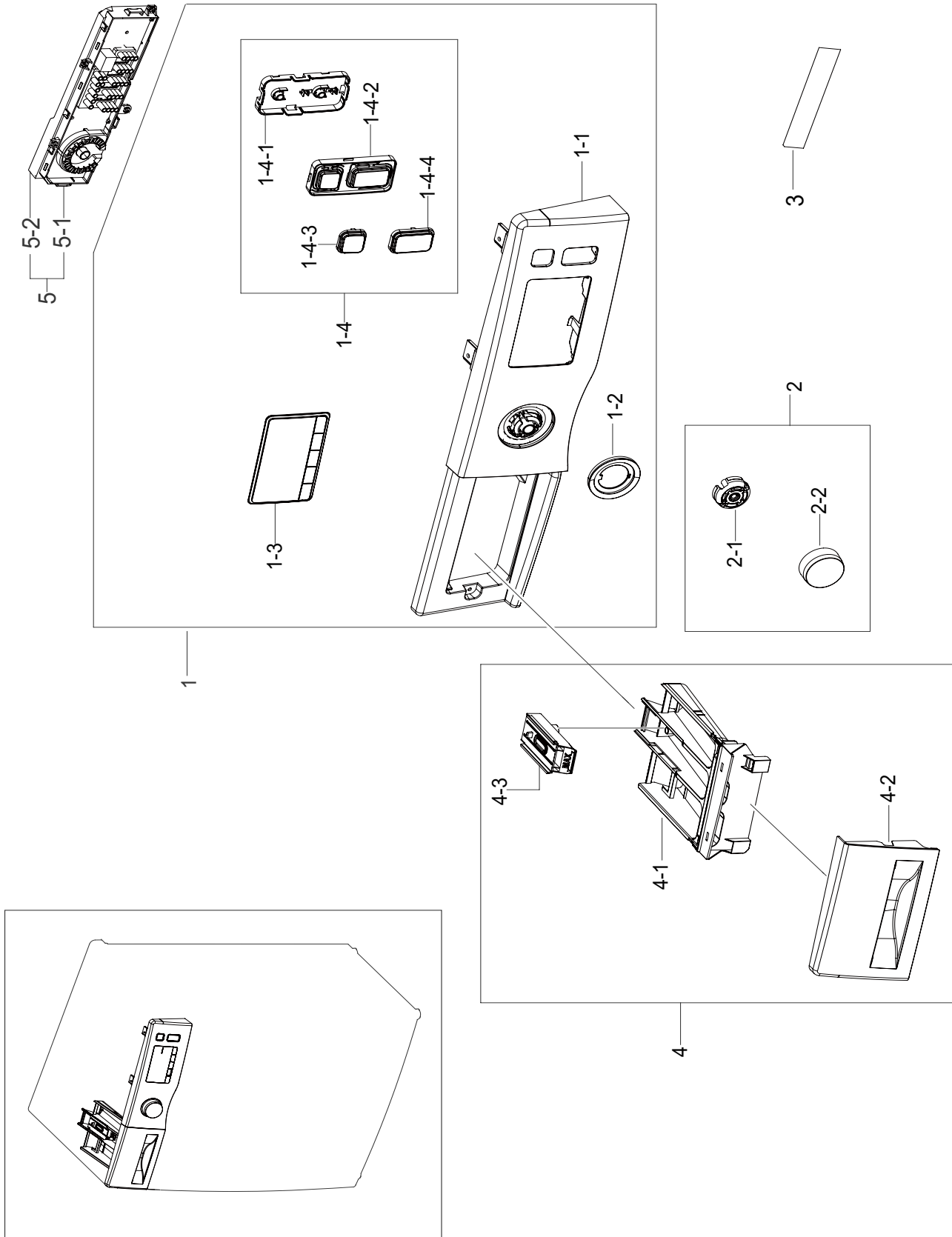


MODEL CODE: WW70J3467KW/EF

Service Bom (SA: SERVICE AVAILABLE, SNA: SERVICE NOT AVAILABLE)

| SVC Code | Code No. | Description | Specification | QTY | Un | SA/SNA |
|----------|-------------|---------------------|-------------------------------|-----|----|--------|
| 1 | DC97-18711B | ASSY DOOR | WW3000J SLIM | 1 | PC | SNA |
| 1-1 | DC97-18661B | ASSY HOLDER GLASS | WW3000J SLIM | 1 | PC | SA |
| 1-1-1 | DC61-03971B | HOLDER GLASS | WW3000J,PP,DARK HOLDER GRAY | 1 | PC | SNA |
| 1-1-2 | DC61-00891A | GUIDE HINGE | HAUZEN(DOM),POM,-,-,-,WHT,HI | 2 | PC | SA |
| 1-1-3 | DC61-03972A | HINGE DOOR | ALDC,T3.5,Metalic silver,- | 1 | PC | SA |
| 1-1-4 | DC61-01915D | BRACKET HOLDER | GI-SGCC,T1.2,- | 1 | PC | SNA |
| 1-1-5 | DC63-01541A | COVER HANDLE | WF-F500E,ABS,-,-,DA WHITE,H | 1 | PC | SA |
| 1-1-6 | DC66-00344A | LEVER DOOR | WF60F4E1W2W,ZNDC,NATURAL,F400 | 1 | PC | SNA |
| 1-1-7 | DC61-02027A | SPRING ETC LEVER | STAINLESS-ST304,CD1.2, | 1 | PC | SA |
| 1-1-8 | DC64-02852A | HANDLE DOOR | WF-F500E,ABS,T2.0,HG-0760GP, | 1 | PC | SA |
| 1-1-9 | DC64-00564A | HANDLE PIN | WF602U2BKWQ/SC,STS304,NATURE | 1 | PC | SA |
| 1-1-10 | 6002-000445 | SCREW-TAPPING | TH,+,-,NO,2,M4,L18,PASS,STS4 | 4 | PC | SNA |
| 1-1-11 | 6001-001773 | SCREW-MACHINE | TH,+,-,M5,L12,PASS,STS430, | 2 | PC | SA |
| 1-2 | DC64-01790A | DOOR GLASS | AEGIS,GLASS,T5.0,W353.0 | 1 | PC | SA |
| 1-3 | DC63-01833B | COVER DOOR | WW3000J,ABS,HB,DA WHITE,HG-07 | 1 | PC | SA |
| 2 | DC97-18717A | ASSY FRAME FRONT | WW5000,WW70J5210GW/UA,D | 1 | PC | SA |
| 2-1 | DC61-03958D | FRAME FRONT | EGI-SECD,-,DA WHITE,T0.8,WT9 | 1 | PC | SNA |
| 3 | DC61-03967B | GUIDE FILTER | PP,T2.0,TB53,NEAT WHITE | 1 | PC | SA |
| 4 | DC63-00920A | COVER-FILTER | WF8500NHW,ABS,T2.5,-,DA WHI | 1 | PC | SA |
| 5 | DC64-01538A | SWITCH DOOR LOCK | AC250V,16,BIMETAL | 1 | PC | SA |
| 6 | DC63-00967A | COVER DOOR SWITCH | AEGIS-PJT/ WF8500NHW,P | 1 | PC | SA |
| 7 | DC61-01919A | BRACKET HINGE | WF8804DP,GI-SGCC,T1.4,L161 | 1 | PC | SA |
| 8 | DC91-12078E | ASSY WIRE DIAPHRAGM | AEGIS,WF8500NHW/YLP, | 1 | PC | SA |

5. PANEL-CONTROL & DRAWER

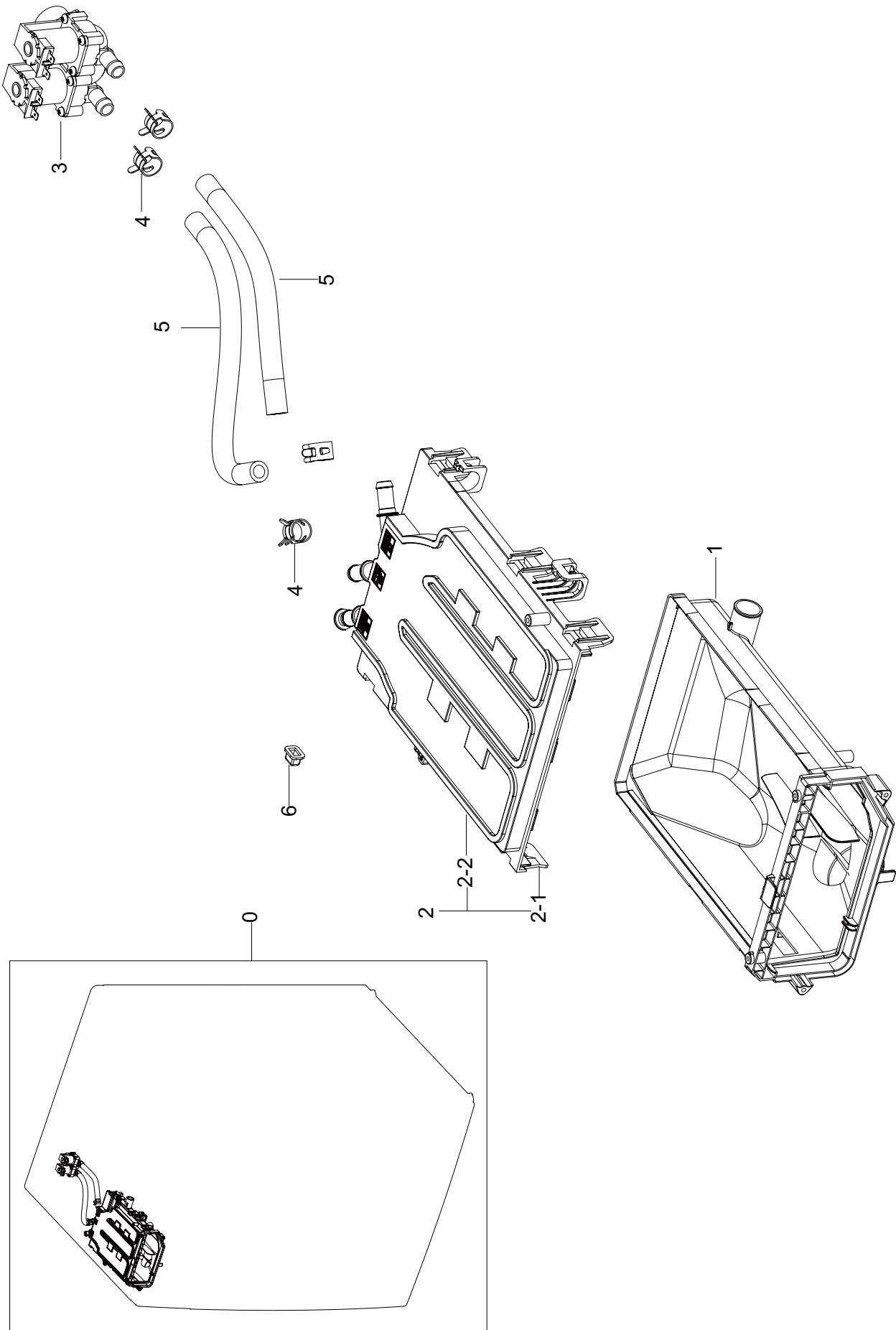


MODEL CODE: WW70J3467KW/EF

Service Bom (SA: SERVICE AVAILABLE, SNA: SERVICE NOT AVAILABLE)

| SVC Code | Code No. | Description | Specification | QTY | Un | SA/SNA |
|----------|-------------|-------------------------|---------------------------------|-----|----|--------|
| 1 | DC97-18581D | ASSY PANEL CONTROL | WW70J3467KW/EF,French | 1 | PC | SA |
| 1-1 | DC64-02853A | PANEL CONTROL | F500E,ABS,-,HG-0760GP,DA W | 1 | PC | SNA |
| 1-2 | DC64-02856B | WINDOW ENCODER | ABS+PMMA,HB,TF-0930,GRAY | 1 | PC | SNA |
| 1-3 | DC64-03274D | WINDOW PANEL | WW70J3467KW/EF,PMMA,TF-0959 | 1 | PC | SNA |
| 1-4 | DC97-17392A | ASSY BUTTON | WF80F50FU4W/EF | 1 | PC | SNA |
| 1-4-1 | DC63-01543A | COVER-BUTTON(L) | F500E,ABS,T2.0,-,DA WHIT | 1 | PC | SNA |
| 1-4-2 | DC64-02920A | BUTTON PUSH-POWER | F500E,ABS,-,DA WHITE,W | 1 | PC | SNA |
| 1-4-3 | DC64-02921A | DECORATION BUTTON-POWER | F500E,PMMA,-,C | 1 | PC | SNA |
| 1-4-4 | DC64-02922A | DECORATION BUTTON-START | F500E,PMMA,-,C | 1 | PC | SNA |
| 2 | DC97-17318B | ASSY KNOB ENCODER | WF80F50FU4W/EF | 1 | PC | SA |
| 2-1 | DC64-02863A | KNOB ENCODER | F500E,ABS,HB,NEAT WHITE,WT0 | 1 | PC | SNA |
| 2-2 | DC64-02864B | DECORATION ENCODER | F500E,ABS+PMMA,-,DA | 1 | PC | SNA |
| 3 | DC92-01785A | ASSY MODULE | TOUCH SENSOR,WW4/3000J,5KEY | 1 | PC | SA |
| 4 | DC97-17312A | ASSY DRAWER | F400E,WF60F50KW2W,PP,N | 1 | PC | SNA |
| 4-1 | DC61-03499A | BODY DRAWER | WF-F400E,PP,DA WHITE,WT0035, | 1 | PC | SA |
| 4-2 | DC64-02858M | PANEL DRAWER | ABS,HB,HG0760GP,DA WHITE,WT | 1 | PC | SA |
| 4-3 | DC67-00669B | CAP RINSE | WF-F500E,PP,T2.0,HB,MT43,Hones | 1 | PC | SA |
| 5 | DC92-01783C | ASSY KIT | FWM_UNI,WW3000 UNI KIT,AEGIS ST | 1 | PC | SNA |
| 5-1 | DC92-01784N | ASSY PCB DISPLAY | FWM_UNI,WW3000 UNI SUB, | 1 | PC | SNA |
| 5-2 | DC92-01769C | ASSY PCB MAIN | FWM_UNI,6/5/4/3000 UNIVERS | 1 | PC | SA |

6. ASS'Y HOUSING DRAWER



MODEL CODE: WW70J3467KW/EFService Bom (**SA**: SERVICE AVAILABLE, **SNA**: SERVICE NOT AVAILABLE)

| SVC Code | Code No. | Description | Specification | QTY | Un | SA/SNA |
|----------|-------------|-----------------------|------------------------------|------|----|--------|
| 0 | DC97-18572A | ASSY HOUSING DRAWER | WW3~6000,7kg | 1 | PC | SNA |
| 1 | DC61-02967A | HOUSING-DRAWER(L) | WW3000,PP,T2.0,NATURAL | 1 | PC | SA |
| 2 | DC97-17346A | ASSY S.HOUSING DRAWER | F400E,WF60F50KW2W | 1 | PC | SA |
| 2-1 | DC61-03501A | HOUSING DRAWER-MIDDLE | WF-F400E,PP,NATURA | 1 | PC | SNA |
| 2-2 | DC61-03502A | HOUSING DRAWER-UP | WF-F400E,PP,NATURAL,F4 | 1 | PC | SNA |
| 3 | DC62-00024M | VALVE WATER | AC220-240V,Bracket,1in 2out, | 1 | PC | SC |
| 4 | DC65-00008B | CLAMPER HOSE | SSEC-GE,SK5,-,Dacromet,T1.0 | 4 | PC | SNA |
| 5 | DC67-00051F | HOSE DRAWER | WF8502NHW,EPDM,ID9.0,OD14.5, | 0.56 | M | SNA |
| 6 | DC67-00327A | CAP DRAWER HOOK | HEBA-PJT,EPDM,T1.1,W13.9 | 1 | PC | SNA |

7. SCREWS LIST

MODEL CODE: WW70J3467KW/EF

Service Bom (SA: SERVICE AVAILABLE, SNA: SERVICE NOT AVAILABLE)

| SVC Code | Code No. | Description | Specification | QTY | Un | SA/ SNA |
|----------|-------------|---------------|--------------------------------|-----|----|------------|
| 1 | 6001-001773 | SCREW-MACHINE | TH,+,-,M5,L12,PASS,STS430, | 2 | PC | SA |
| 2 | 6002-000213 | SCREW-TAPPING | TH,+,1,M4,L12,ZPC(WHT),SWR | 2 | PC | SNA |
| 3 | 6002-001554 | SCREW-TAPPING | BH,+,No,1,M4,L12,STS430,HE | 2 | PC | SNA |
| 4 | 6002-000630 | SCREW-TAPPING | PH,+,NO,2S,M3,L8,ZPC(WHT), | 2 | PC | SNA |
| 5 | 6002-001554 | SCREW-TAPPING | BH,+,No,1,M4,L12,STS430,HE | 3 | PC | SNA |
| 6 | 6002-000445 | SCREW-TAPPING | TH,+,NO,2,M4,L18,PASS,STS4 | 4 | PC | SNA |
| 7 | 6002-000213 | SCREW-TAPPING | TH,+,1,M4,L12,ZPC(WHT),SWR | 1 | PC | SNA |
| 8 | 6002-000213 | SCREW-TAPPING | TH,+,1,M4,L12,ZPC(WHT),SWR | 1 | PC | SNA |
| 9 | 6009-001367 | SCREW-HEX | HWH,+,-,M6.5,L32,ZPC(WHT),SWRC | 14 | PC | SNA |
| 10 | 6002-001006 | SCREW-TAPPING | TH,+,-,2S,M4,L12,PASS,STS4 | 2 | PC | SNA |
| 11 | 6003-001768 | SCREW-TAPTYPE | TH,+,WT,S,M4,L10,ZPC(WHT), | 1 | PC | SNA |
| 12 | 6002-000213 | SCREW-TAPPING | TH,+,1,M4,L12,ZPC(WHT),SWR | 4 | PC | SNA |
| 13 | 6003-001768 | SCREW-TAPTYPE | TH,+,WT,S,M4,L10,ZPC(WHT), | 2 | PC | SNA |
| 14 | 6006-001174 | SCREW-TAPPING | TH,+,WT,2S,M4,L12,ZPC(WHT) | 5 | PC | SNA |
| 15 | DC97-15633A | ASSY SCREW | TH,ZPC | 2 | PC | SNA |
| 16 | 6002-001327 | SCREW-TAPPING | PWH,+,1,M4,L12,ZPC(WHT),SW | 4 | PC | SNA |
| 17 | 6006-001174 | SCREW-TAPPING | TH,+,WT,2S,M4,L12,ZPC(WHT) | 2 | PC | SNA |
| 18 | DE60-10080A | SCREW-TAPPING | PWH,+,-,2S,M5,L9,-,SWRCH18 | 2 | PC | SNA |
| 19 | 6002-000213 | SCREW-TAPPING | TH,+,1,M4,L12,ZPC(WHT),SWR | 1 | PC | SNA |
| 20 | 6002-000445 | SCREW-TAPPING | TH,+,NO,2,M4,L18,PASS,STS4 | 4 | PC | SNA |
| 21 | 6002-001327 | SCREW-TAPPING | PWH,+,1,M4,L12,ZPC(WHT),SW | 2 | PC | SNA |
| 22 | 6003-000226 | SCREW-TAPTYPE | TH,+,-,S,M4,L8,ZPC(WHT),SW | 2 | PC | SNA |
| 23 | 6006-001174 | SCREW-TAPPING | TH,+,WT,2S,M4,L12,ZPC(WHT) | 5 | PC | SNA |
| 24 | 6009-001343 | SCREW-SPECIAL | PH,TORX,M4,L12,ZPC(WHT),SW | 1 | PC | SNA |
| 25 | 6002-000440 | SCREW-TAPPING | PWH,+,2,M3,L8,ZPC(BLK),SWR | 2 | PC | SNA |
| 26 | 6002-000440 | SCREW-TAPPING | PWH,+,2,M3,L8,ZPC(BLK),SWR | 1 | PC | SNA |
| 27 | 6002-000440 | SCREW-TAPPING | PWH,+,2,M3,L8,ZPC(BLK),SWR | 1 | PC | SNA |
| 28 | 6002-000239 | SCREW-TAPPING | TH,+,NO,2S,M4,L8,ZPC(WHT), | 2 | PC | SNA |
| 29 | 6002-001436 | SCREW-TAPPING | PH,+,2,M4,L18,ZPC(WHT),SWR | 6 | PC | SNA |