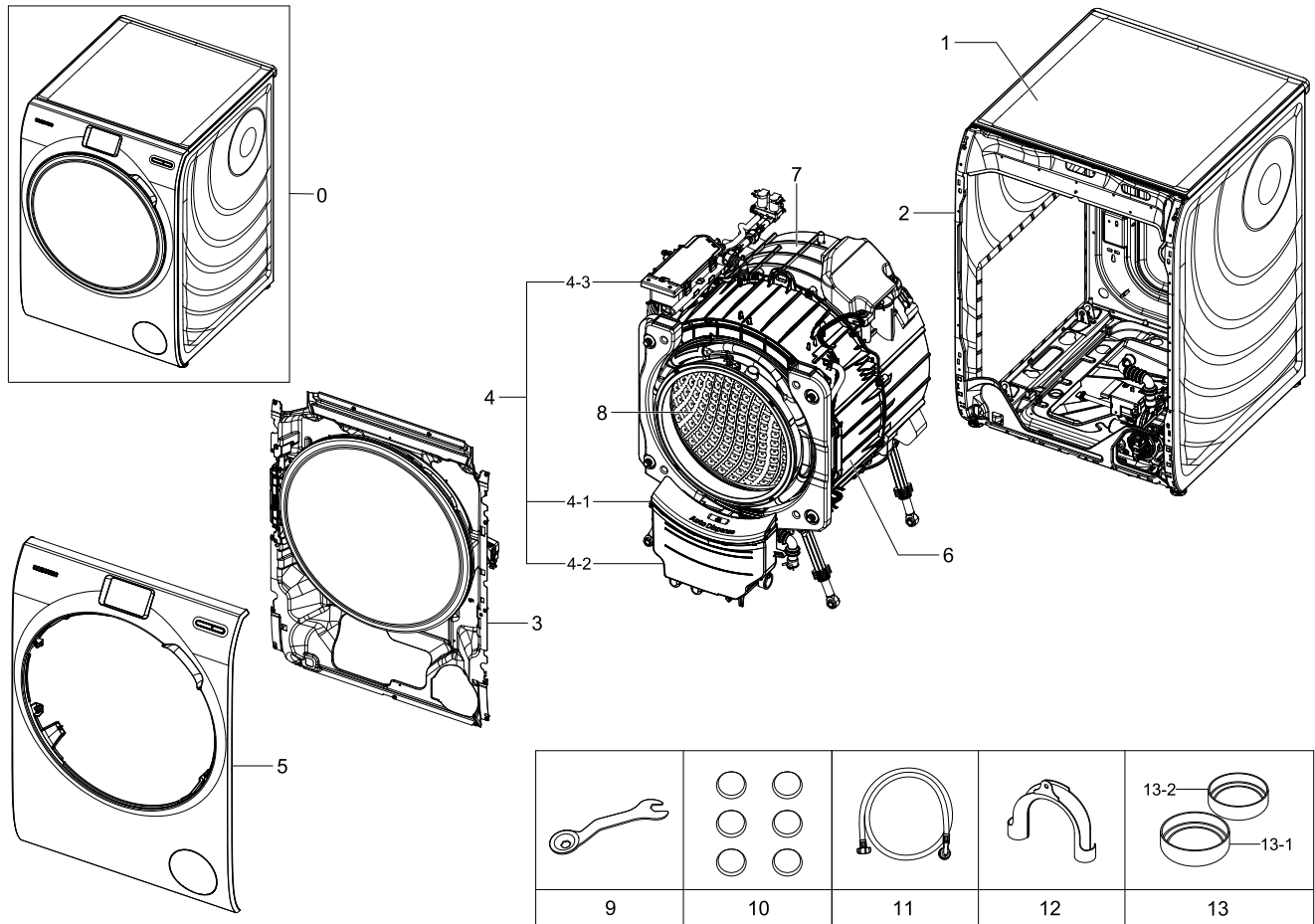


1. Main

Exploded View



Parts List

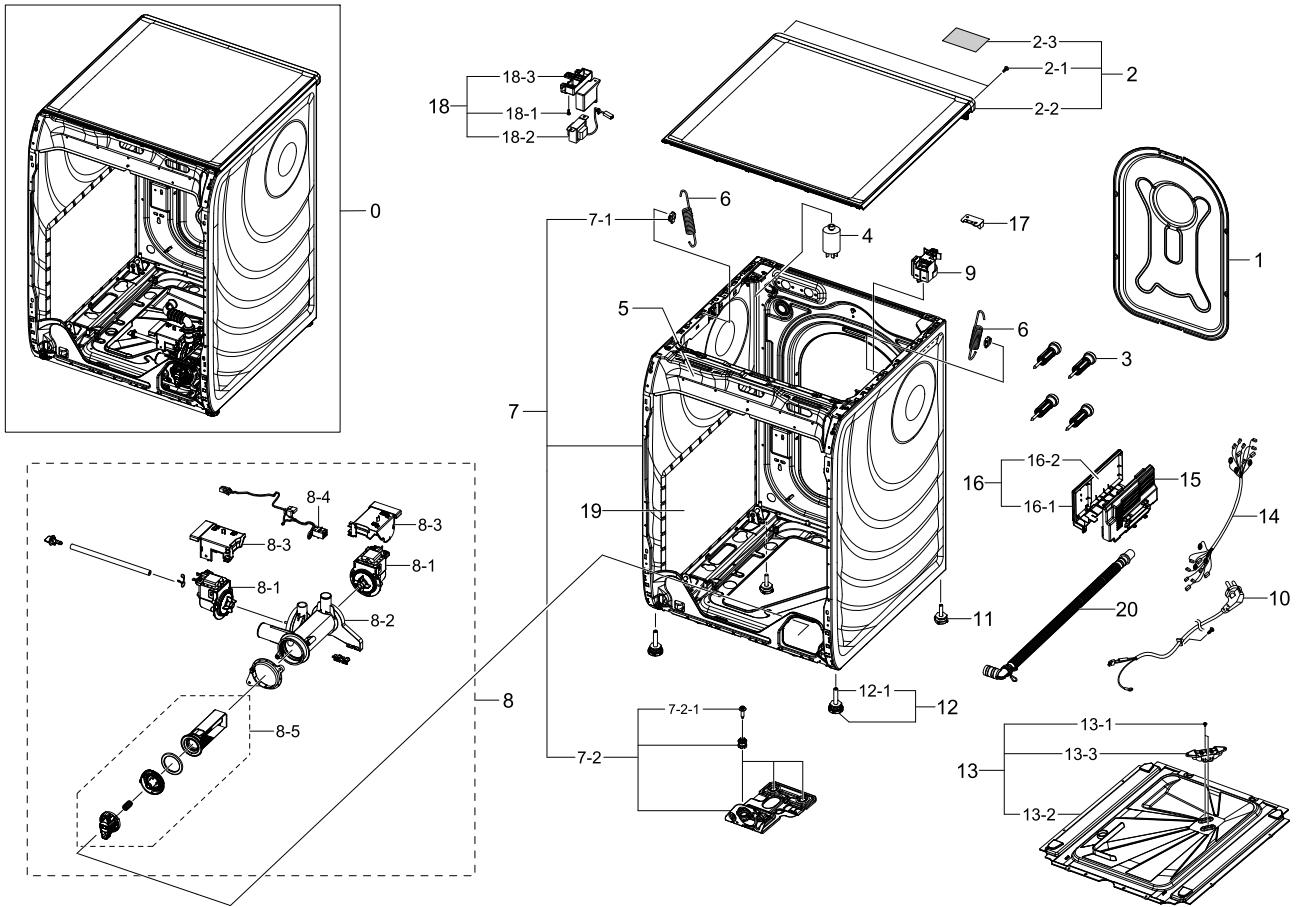
No.	Lvl.	Loc.	Material Code	Description & Specification	SNA	Qty.
1	1	WF0003	DC90-15153A	ASSY COVER TOP; H900E	SNA	1
2	1	WF0004	DC90-15087A	ASSY FRAME; H900E	SNA	1
3	1	WF0009	DC90-15093A	ASSY FRONT; H900E	SNA	1
4	1	WR0005	DC90-15151A	ASSY DRAWER; H900E	SNA	1
4-1	2	WR0002	DC97-18026A	ASSY CASE DETERGENT; H900E	SA	1
4-2	2	WR0001	DC97-18028A	ASSY BODY DETERGENT; H900E	SA	1
4-3	2	WR0008	DC97-18188A	ASSY HOUSING DRAWER; NEA,WF10H9E9U6S	SA	1
5	1	WC0016	DC90-15792A	ASSY PANEL CONTROL; WW10H9400EW/ET	SNA	1
6	1	WT0008	DC90-15123A	ASSY TUB FRONT; H900E	SNA	1
7	1	WT0007	DC90-15091A	ASSY TUB BACK; H900E	SNA	1
8	1	WG0004	DC90-15086A	ASSY DRUM; H900E	SNA	1
9	2	WJ5077	DC60-40146A	BOLT SPANER; CR,T2.5,-	SA	1

Exploded Views and Parts List

No.	Lvl.	Loc.	Material Code	Description & Specification	SNA	Qty.
10	2	WA5001	DC67-00307A	CAP-FIXER; WF438AAC/XAA,PP,T1.5,RECYCLE,B	SC	6
11	2		DC97-16947A	ASSY HOSE WATER; YUKON-GLOBAL,WF431	SC	1
12	2	WH5379	DC62-10278A	HOSE HANGER; PUMP MODEL,PP,BLACK	SA	1
13	2		DC98-01906A	ASSY PACKING BOWL; WW9000H	SNA	1
13-1	3		DC75-00028A	BOWL DETERGENT; H900E,SILICON,DARK GLASS,	SA	1
13-2	3		DC75-00029A	BOWL DETERGENT; H900E,SILICON,GELTLE BLUE	SA	1

2. Assy Frame&Cover Parts

Exploded View



Parts List

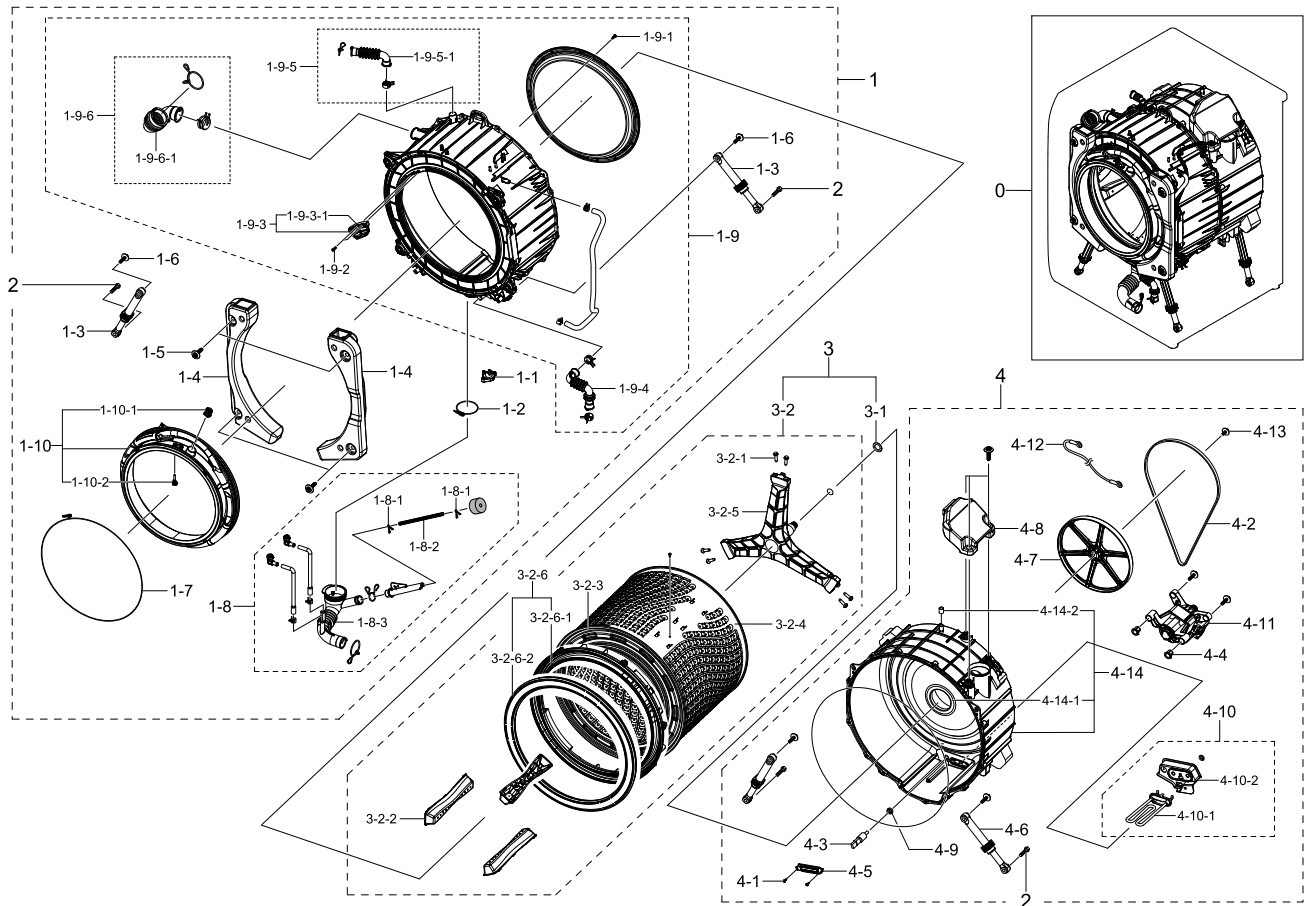
No.	Lvl.	Loc.	Material Code	Description & Specification	SNA	Qty.
1	2	WF0002	DC97-16695A	ASSY COVER BACK; ARNO,WF1124ZAC/XEF	SA	1
2	1	WF0003	DC90-15153A	ASSY COVER TOP; H900E	SNA	1
2-1	2	WX0531	6009-001476	SCREW-HEX; HEX,+,M5,L10,Ni-Zn(WHT),SWRCH1	SA	2
2-2	2	WF0003	DC97-18021A	ASSY COVER TOP; H900E	SA	1
2-3	3		6812-000082	LABEL AS LIST; YUPO80+OPP,W63xL90,Europe,	SNA	1
3	2	WJ5109	DC97-14653C	ASSY FIXER TUB; SCOUT,WF0804Y8E/XEF	SA	4
4	2		DC29-00023A	FILTER EMI; 250V,15,53*53*97,50/60Hz,CAN	SA	1
5	2	WF0008	DC97-18041A	ASSY FRAME PLATE(U); NEA,WF10H9E9U6S	SA	1
6	2	WF0102	DC61-03099A	SPRING ETC-HANGER; ARNO,HSWR-SWRH,CD4.2,O	SA	2
7	2	WF0004	DC97-18036A	ASSY FRAME; NEA,WF10H9E9U6S	SA	1
7-1	3	WI0266	DC61-02065A	GUIDE SPRING; WF448AAG/XXA,POM,T4,W24,L36	SA	2

Exploded Views and Parts List

No.	Lvl.	Loc.	Material Code	Description & Specification	SNA	Qty.
7-2	3	WF0015	DC97-18033A	ASSY PLATE BOTTOM; NEA,WF10H9E9U6S	SA	1
7-2-1	4	WX0555	6011-001565	BOLT-HEX; M6,L35.1,ZPC(WHT),SWCH25K,TAPPI	SA	3
8	2		DC97-16645D	ASSY PUMP DRAIN; ARNO COMBO,CLICK HANDLE,	SA	1
8-1	3		DC31-00030H	PUMP-DRAIN; 220V-240V,50Hz,30W, 30mm	SA	2
8-2	3	WU0023	DC61-03082A	CASE PUMP; ARNO,PP,T2.5,W184.6,L165.2,NTR	SA	1
8-3	3	WI0203	DC63-01549A	COVER PUMP; F500,PP,VO GRADE,WHT,FH44N,-	SNA	2
8-4	3	WW0006	DC93-00150D	ASSY WIRE HARNESS-PUMP; ARNO,WF1124ZAQ/XE	SA	1
8-5	3	WA0006	DC97-16642B	ASSY FILTER; ARNO,WF1124ZAC/XEF,CLICK HAN	SA	1
9	2	WE0020	DC96-01703G	ASSY SENSOR PRESSURE; GRACE-S,GRACE-S,DC	SA	1
10	2	WE0016	DC96-00146A	ASSY POWER CORD; VDE,UCP2,250V16A,H05VV-F	SC	1
11	2	WB5216	DC97-00920C	ASSY LEG; SEW-HW108,L48.5,M10	SC	2
12	2	WB5005	DC97-14293B	ASSY LEG; GE-PJT,WCVH4800KWW,H52.1	SA	2
12-1	3	WJ0092	DC97-14294B	ASSY LEG BOLT; GE-PJT,WCVH4800KWW	SA	2
13	2	WF0015	DC97-18178A	ASSY PLATE BOTTOM; H900E	SNA	1
13-1	3	WX0441	6002-000520	SCREW-TAPPING; TH,+,-,2,M4,L12,ZPC(WHT),S	SA	2
13-2	3	WI0156	DC63-01770A	COVER-BOTTOM; PP,T3.0,-,NATURAL,TB53	SA	1
13-3	3	WI0336	DC96-01610A	ASSY SENSOR POLE; WW9000HE,12V	SA	1
14	2		DC93-00459A	ASSY WIRE HARNESS-MAIN; DRUM,H900E,N,DRAI	SA	1
15	2		DC63-01650A	COVER PCB-MAIN; WD-F900C,ABS,T2.5,-,NATUR	SA	1
16	2		DC92-01605A	ASSY KIT; ASSY KIT,WW9000HE,230V / 50Hz,	SA	1
16-1	3		DC61-03702A	GUIDE COVER PCB; WD-F900C,HIPS,T2.0,-,F74	SA	1
16-2	3	WX0002	0103-002707	POLYURETHANE; UF-821 (S) A,V0,PUR	SA	126
17	2	WE5187	DC93-00278A	ASSY SENSOR; MEMS SENSOR,ARNO,410mm	SA	1
18	2	WE0026	DC93-00279A	ASSY TRANS REACTORV; ARNO,220V/60Hz	SA	1
18-1	3	WX0622	6002-001306	SCREW-TAPPING; TH,+,1,M4,L14,ZPC(WHT),SWR	SA	1
18-2	3	WE0149	DC26-00009P	COIL HARMONIC; 8.5mH,15%,EI 48mm S-30NA	SA	1
18-3	3	WP0161	DC61-03107A	BRACKET REACTOR; ARNO,PP,T3.0,NATURAL,V0	SA	1
19	2	WA0001	DC63-01313B	ABSORBER SOUND; WW9000HE,PE-FOAM,T10,-,-,	SNA	2
20	2		DC97-16680A	ASSY HOSE DRAIN(O); ARNO,WF1124,ASSY,L185	SA	1

3. Assy Tub&Drum

Exploded View



Parts List

No.	Lvl.	Loc.	Material Code	Description & Specification	SNA	Qty.
1	1	WT0008	DC90-15123A	ASSY TUB FRONT; H900E	SNA	1
1-1	2		DC32-00018A	SENSOR-TURBIDITY; NEA PJT,DC 5V,TURBIDITY	SA	1
1-2	2		DC65-00021A	CLAMPER HOSE-JOINT; HEBA PJT,HSWR-SWRH,ID	SNA	1
1-3	2	WB5214	DC66-00343K	DAMPER SHOCK; GE24"-PJT,PP,60N,W24,BLACK,	SA	2
1-4	2		DC67-00751A	WEIGHT BALANCER; PP,NATURAL,FRONT	SNA	2
1-5	2	WJ5042	DC97-02412A	ASSY BOLT; MOTOR/ M8*L62,,,,,,	SA	4
1-6	2	WJ5013	DC97-14263A	ASSY BOLT; MOTOR/BOLT(M8)+WASHER(OD27.5),	SA	2
1-7	2		DC97-14618G	ASSY CLAMP DIAPHRAGM; H900E,HSWR	SA	1
1-8	2		DC97-16644C	ASSY HOSE PRESSURE; No PBA,No Hook	SA	1
1-8-1	3	WP0165	DC61-70029C	CLIP RING; SEW-HW125,HSWR,WHITE	SA	2

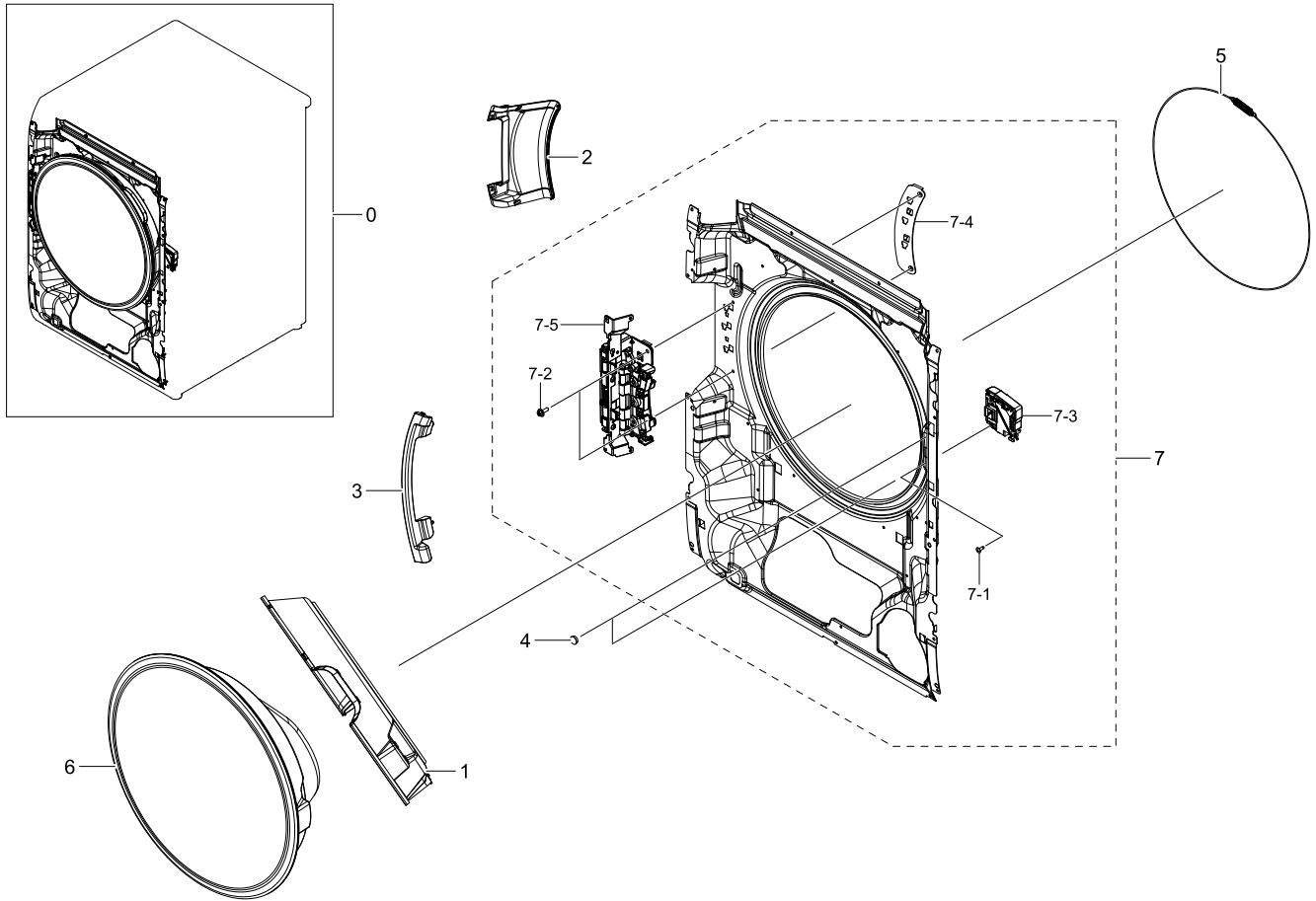
Exploded Views and Parts List

No.	Lvl.	Loc.	Material Code	Description & Specification	SNA	Qty.
1-8-2	3	WH5227	DC67-00230A	HOSE WATER; SEW-6HR128ATC,TPE,ID4.5,OD8.0	SA	1
1-8-3	3		DC67-00756A	HOSE FILTER TUB; H900E,EPDM,BLACK,Auto De	SA	1
1-9	2	WT0004	DC97-18013A	ASSY SEMI TUB FRONT; H900E,(GF15%) PP2315	SA	1
1-9-1	3	WX0621	6002-000444	SCREW-TAPPING; TH,+,2,M4,L14,PASS,STS430	SA	6
1-9-2	3	WX0427	6002-000445	SCREW-TAPPING; TH,+,NO,2,M4,L18,PASS,STS4	SA	2
1-9-3	3		DC61-03910A	GUIDE FRONT; TPE,T2.0,-,XR-1045,GY0196,-	SNA	1
1-9-3-1	4		DC61-03871A	GUIDE TUB; WW9000HE,PA66+GF30%,T3.0,-,KN3	SA	1
1-9-4	3	WH5389	DC67-00568A	HOSE AIR TUB; ARNO-PJT,EPDM,T1.5,BLK	SA	1
1-9-5	3	WH5017	DC97-14873B	ASSY HOSE AIR; HEBA,WF8702,-,BLACK	SA	1
1-9-5-1	4	WH5206	DC67-00354A	HOSE AIR; HEBA PJT,EPDM,BLACK,18.3g	SA	1
1-9-6	3	WH5375	DC97-14874C	ASSY HOSE DRAWER; HEBA BIGBANG,WF0800NCE,	SA	1
1-9-6-1	4	WH5191	DC67-00422A	HOSE DRAWER TUB; HEBA-PJT,EPDM,BLK	SC	1
1-10	2	WJ0004	DC97-18019A	ASSY DIAPHRAGM; H900E,EPDM	SA	1
1-10-1	3		DC47-00027D	ASSY LAMP LED; 1ea,FR-4,197*117,WHITE,AMP	SA	1
1-10-2	3	WJ0047	DC62-00348A	NOZZLE DIAPHRAGM; WF457ARGSGR,PP,OD10,GRA	SA	1
2	2	WX0558	6011-001644	BOLT-HEX; M10,L35,ZPC2,SM10C,DAMPER	SA	4
3	1	WG0004	DC90-15086A	ASSY DRUM; H900E	SNA	1
3-1	2	WJ0109	6031-001640	WASHER-SPRING; STS304,ID35.2,OD39.0,T0.3,	SNA	1
3-2	2	WG0004	DC97-18025A	ASSY DRUM; H900E	SA	1
3-2-1	3	WJ5081	DC60-40137A	BOLT HEX; MARS-PJT,STS430,M8,P1.25,L30,HE	SA	6
3-2-2	3		DC66-00827A	DRUM LIFTER; H900E,PP,T3.0,HB,FC2305,Dark	SA	3
3-2-3	3		DC66-00828A	DRUM FRONT; STAINLESS-STS430,T0.8,-,-	SA	1
3-2-4	3		DC66-00841A	DRUM WRAPPER; H900E, Welding,STAINLESS-ST	SA	1
3-2-5	3	WS0006	DC97-16625A	ASSY FLANGE SHAFT; WF1124ZAC/XEF	SA	1
3-2-6	3		DC97-18047A	ASSY BALANCER; H900E,1.5KG,14EA	SA	1
3-2-6-1	4		DC63-01713A	BALANCER-LOW; FRPP,T3.5,White	SA	1
3-2-6-2	4		DC63-01714A	BALANCER-UP; FRPP,T3.5,-,White,BALANCER-U	SA	1
4	1	WT0007	DC90-15091A	ASSY TUB BACK; H900E	SNA	1
4-1	2	WX0434	6002-000471	SCREW-TAPPING; TH,+,-,1,M4,L12,PASS,STS30	SA	2

No.	Lvl.	Loc.	Material Code	Description & Specification	SNA	Qty.
4-2	2	WS0060	6602-001497	BELT-TIMING GEAR; RUBBER(GATES),T3.2,1270	SA	1
4-3	2	WE5177	DC32-00010C	THERMISTOR; WASHER,-10~100,5,5,3.243k	SA	1
4-4	2	WS0064	DC61-02549A	BUSH MOTOR; HEBA BIGBANG,PA66+GF15%,NATUR	SNA	2
4-5	2	WP0099	DC61-02664A	BRACKET HEATER; HEBA,STAINLESS-ST5430,T0.	SA	1
4-6	2	WB5214	DC66-00343K	DAMPER SHOCK; GE24"-PJT,PP,60N,W24,BLACK,	SA	2
4-7	2	WS0109	DC66-00530B	PULLEY MOTOR; HEBA BIGBANG,ALDC,OD296.8,I	SA	1
4-8	2		DC67-00752A	WEIGHT BALANCER; PP,NATURAL,UPPER	SNA	1
4-9	2	WE0115	DC69-00824A	PACKING-THERMISTOR; GW-PJT,EPDM,-,-,W17,H	SNA	1
4-10	2	WE0010	DC93-00281A	ASSY HEATER; ARNO,220~240V,2000W,Silcone	SA	1
4-10-1	3	WE0155	DC47-00033A	HEATER-WASH; AC230V,Double Fuse (167	SC	1
4-10-2	3	WE0060	DC63-01340A	COVER HEATER; ARNO,ABS+PC,T3.0,W143,D40.7	SA	1
4-11	2		DC93-00316A	ASSY MOTOR-BLDC; ARNO,WDM500FGB,F,DC310V,	SA	1
4-12	2	WW5711	DC96-01327D	ASSY WIRE HARNESS; DRUM-M,WF1124ZAQ/XEF,T	SA	1
4-13	2	WJ5110	DC97-06080C	ASSY BOLT; BOLT+WASHER(OD38),,,,,,	SA	1
4-14	2	WT0007	DC97-16708C	ASSY TUB BACK; H900E	SA	1
4-14-1	3	WS0119	DC62-00156A	SEAL OIL; TS85-PJT,NBR(OD84),BLK,-,-,-,JI	SA	1
4-14-2	3		DC67-00767A	CAP TUB; H900E,EPDM,T2.5,-,BLACK	SA	1

4. Assy Front

Exploded View



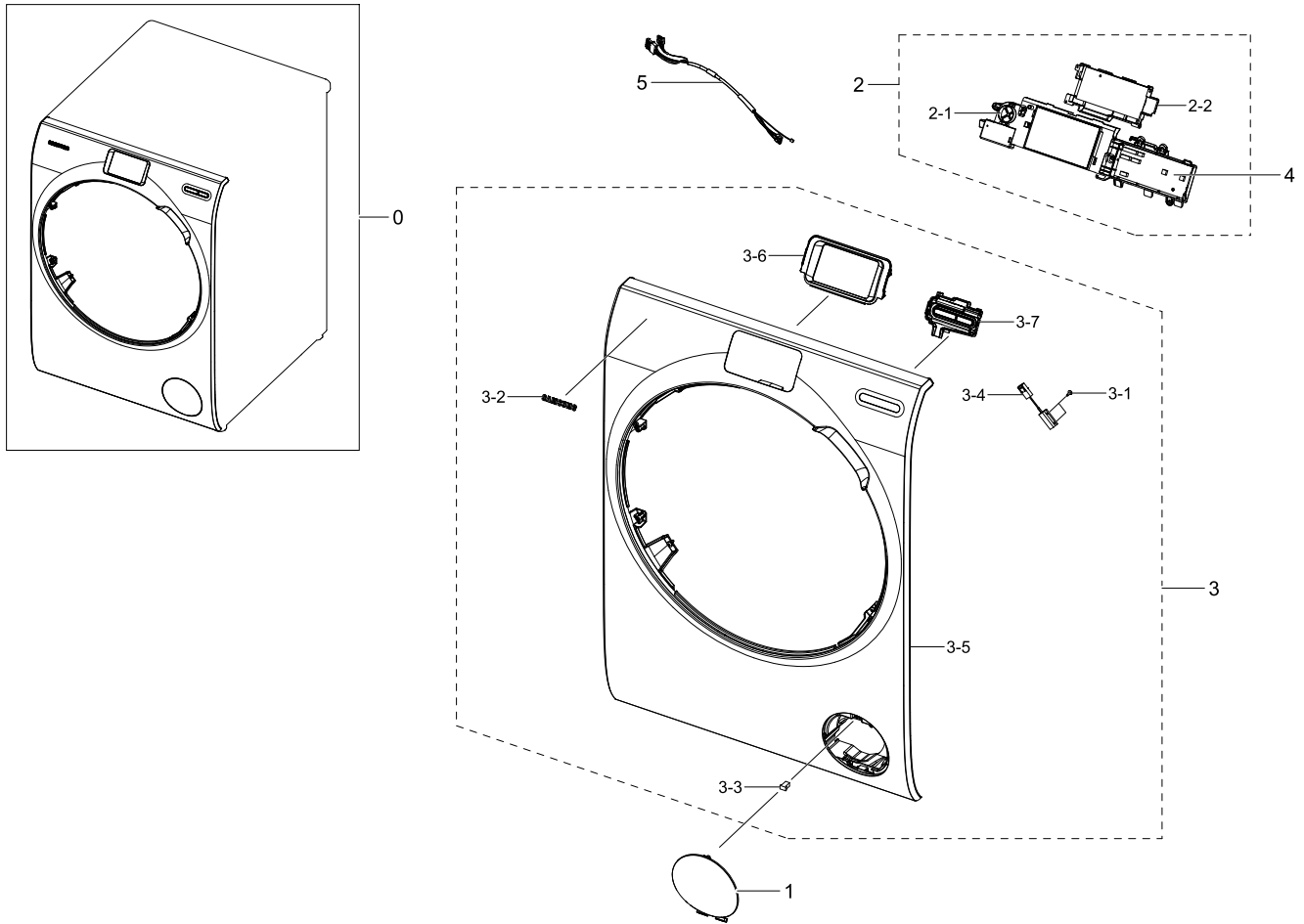
Parts List

No.	Lvl.	Loc.	Material Code	Description & Specification	SNA	Qty.
0	1	WF0009	DC90-15093A	ASSY FRONT; H900E	SNA	1
1	2		DC61-03781A	GUIDE COVER FRONT; H900E,ABS,T3.0,-,HG-07	SA	1
2	2		DC63-01698A	COVER HOLDER; WW9000HE,PP,T3.0,-,VERSAILL	SA	1
3	2		DC63-01701A	COVER HINGE; H900E,ABS,T3.0,-,VERSAILLES	SA	1
4	2		DC63-01774A	COVER SCREW; EPDM,-,-,VERSAILLES GRAY,SIL	SA	2
5	2	WJ0008	DC91-12078H	ASSY WIRE DIAPHRAGM; H900E	SA	1
6	2	WD0003	DC97-18003A	ASSY DOOR; H900E,WF10H9E9U6S	SA	1
7	2	WF0005	DC97-18040A	ASSY FRAME FRONT; NEA,WF10H9E9U6S	SA	1
7-1	3	WX0621	6002-000444	SCREW-TAPPING; TH,+2,M4,L14,PASS,STS430	SA	6
7-2	3	WX0534	6009-001522	SCREW-HEX; HWH,+M5,L16,PASS,STS430,FP,SE	SA	2

No.	Lvl.	Loc.	Material Code	Description & Specification	SNA	Qty.
7-3	3		DC34-00026A	SWITCH DOOR LOCK; AC250V,16A,41N	SA	1
7-4	3	WP0101	DC61-01919A	BRACKET HINGE; WF8804DP,GI-SGCC,T1.4,L161	SA	1
7-5	3	WD0007	DC97-18005A	ASSY HINGE; NEA,H900E	SA	1

5. Assy Panel Control

Exploded View



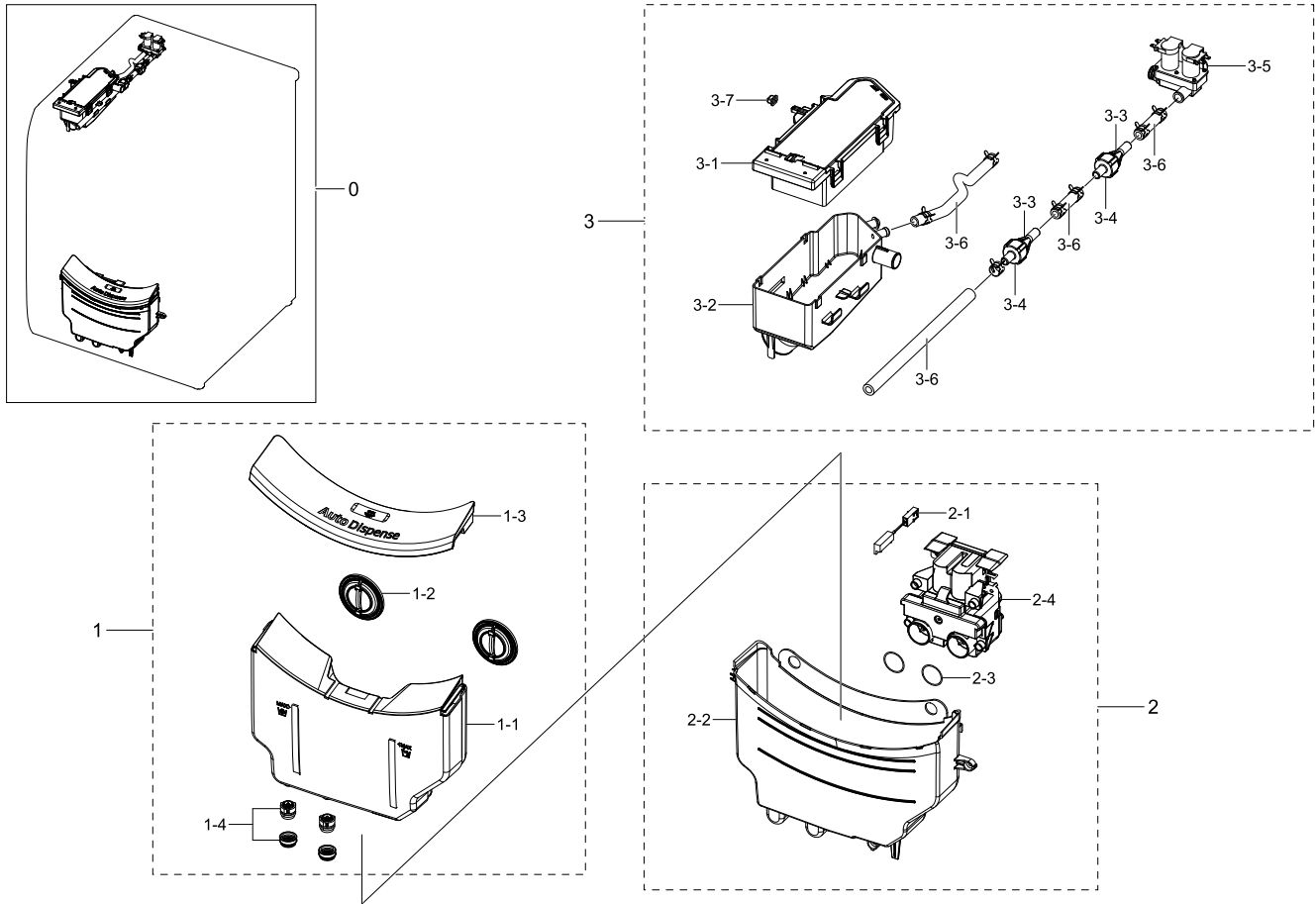
Parts List

No.	Lvl.	Loc.	Material Code	Description & Specification	SNA	Qty.
0	1	WC0016	DC90-15792A	ASSY PANEL CONTROL; WW10H9400EW/ET	SNA	1
1	2		DC63-01720A	COVER FILTER; WW9000HE,ABS,T3.0,-,DA WHIT	SA	1
2	2		DC92-01601A	ASSY MODULE; H900E	SA	1
2-1	3	RD189	3001-002716	SPEAKER; 2W,8ohm,92dB,450,40x40x10.1mm	SA	1
2-2	3		4709-002209	W-LAN MODULE; WIDT-30Q,Internal WiFi,USB,	SA	1
3	2	WI0013	DC97-18030A	ASSY COVER FRONT; H900E,WF10H9E	SA	1
3-1	3	WX0615	6002-000630	SCREW-TAPPING; PH,+ ,NO,2S,M3,L8,ZPC(WHT),	SA	2
3-2	3	WC0114	DA64-03804A	MASCOT; ALL,NICKEL,T0.05,L65	SA	1
3-3	3	WD0107	DA66-01072A	LATCH; LATOUR,POM,BLACK,DC LATCH	SA	1
3-4	3	WE0134	DC34-00001G	SWITCH REED; 25.40.5mm,14mm,30mm	SA	1
3-5	3		DC63-01703A	COVER FRONT; H900E,ABS,-,-,DA WHITE,HG-07	SA	1

No.	Lvl.	Loc.	Material Code	Description & Specification	SNA	Qty.
3-6	3		DC64-03076A	WINDOW PANEL; WW9000HE,MABS,-,LX-0981M,-,	SA	1
3-7	3	WC0001	DC97-18031A	ASSY BUTTON; WF10H9E	SA	1
4	2	WZ0025	DC92-01603B	ASSY PCB SUB; SUB PBA,WW9000HE,W147*L59.7	SA	1
5	2		DC93-00126A	ASSY WIRE HARNESS; DRUM,PBA ,3P170mm,6P18	SA	1

6. Assy Drawer

Exploded View





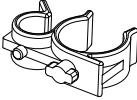
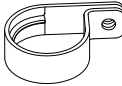

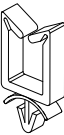

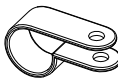
Parts List

No.	Lvl.	Loc.	Material Code	Description & Specification	SNA	Qty.
0	1	WR0005	DC90-15151A	ASSY DRAWER; H900E	SNA	1
1	2	WR0002	DC97-18026A	ASSY CASE DETERGENT; H900E	SA	1
1-1	3	WR0006	DC97-18027A	ASSY F.DETERGENT; H900E	SA	1
1-2	4		DC63-01712A	COVER DETERGENT; H900E,PP,T2.5,-,DARK HOL	SA	2
1-3	3		DC97-18029A	ASSY COVER HANDLE; H900E	SA	1
1-4	3	WI0004	DC97-18032A	ASSY CAP V.W; H900E	SA	2
2	2	WR0001	DC97-18028A	ASSY BODY DETERGENT; H900E	SA	1
2-1	3	WE0134	DC34-00001G	SWITCH REED; 25.40.5mm,14mm,30mm	SA	1
2-2	3		DC61-03778A	BODY DETERGENT; PP,DARK HOLDER GRAY,-,FC2	SNA	1
2-3	3		DC62-00364A	SEAL RING; WD197ABGRSU,SILICON,BLK	SA	2
2-4	3		DC97-18007A	ASSY PUMP DRAIN; H900E	SNA	1

No.	Lvl.	Loc.	Material Code	Description & Specification	SNA	Qty.
3	2	WR0008	DC97-18188A	ASSY HOUSING DRAWER; NEA,WF10H9E9U6S	SA	1
3-1	3		DC61-03873A	HOUSING-UP; WW9000HE,PP,T2.0,NEAT WHITE,-	SA	1
3-2	3		DC61-03874A	HOUSING-LOW; PP,T2.0,NEAT WHITE,-,FPP830	SA	1
3-3	3	WL0011	DC62-00182A	NOZZLE CONNECTOR-UP; POM,NATURAL,TS-2 PJT	SA	2
3-4	3	WL0010	DC62-00183A	NOZZLE CONNECTOR-LOW; POM,NATURAL	SA	2
3-5	3		DC62-30312N	VALVE WATER; 220-240V,25,D-2,mm	SA	1
3-6	3	WH5267	DC67-00051B	HOSE DRAWER; Q1636GW/XEU,EPDM,ID9.0,OD14.	SA	1
3-7	3		DC67-00327A	CAP DRAWER HOOK; HEBA-PJT,EPDM,T1.1,W13.9	SA	1

7. Small Parts

Exploded View

				
1	2	3	4	5
				
6	7	8		

Parts List

No.	Lvl.	Loc.	Material Code	Description & Specification	SNA	Qty.
1	2	WI0293	DC61-00553B	HOLDER WIRE; HEBA-PJT,PA,-,NATURAL,-,2110	SA	1
2	2	WI0293	DC61-40081A	HOLDER WIRE; DAWH-2NC,PA,-,NATURAL,-	SA	1
3	2		DC61-00133A	CLAMPER HOSE-FIX; P1291,PP,-,HOSE+PLUG,BJ	SNA	1
4	2		DC61-00118A	CLAMPER HOSE-FIX; P1291,PA66,ID27,OD30	SNA	1
5	3	WI0295	DC61-60074A	HOLDER WIRE; PA,-,NATURAL,-,rectangle	SA	1
6	2	WI0294	DC61-00553B	HOLDER-WIRE SADDLE; PA,NTR,NYLON66	SA	7
7	2	WX0599	6502-000168	CABLE CLAMP; DA-6N,ID10.0,T1.0,NYLON6/6,N	SNA	1
8	2		DC65-20010A	CABLE CLAMP; DA-9N-1,NYLON66,NTR	SNA	1