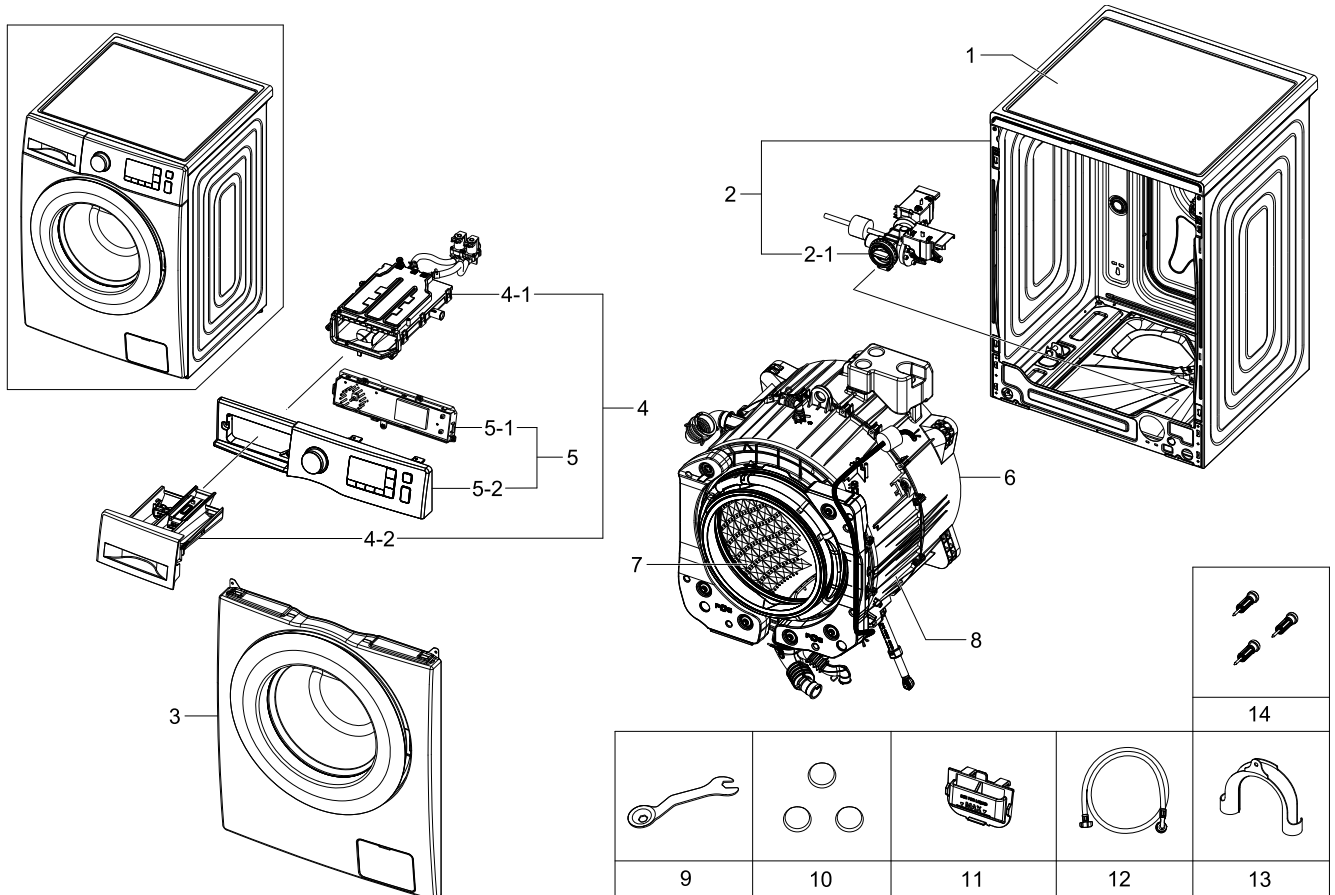


1. Main

Exploded View



Parts List

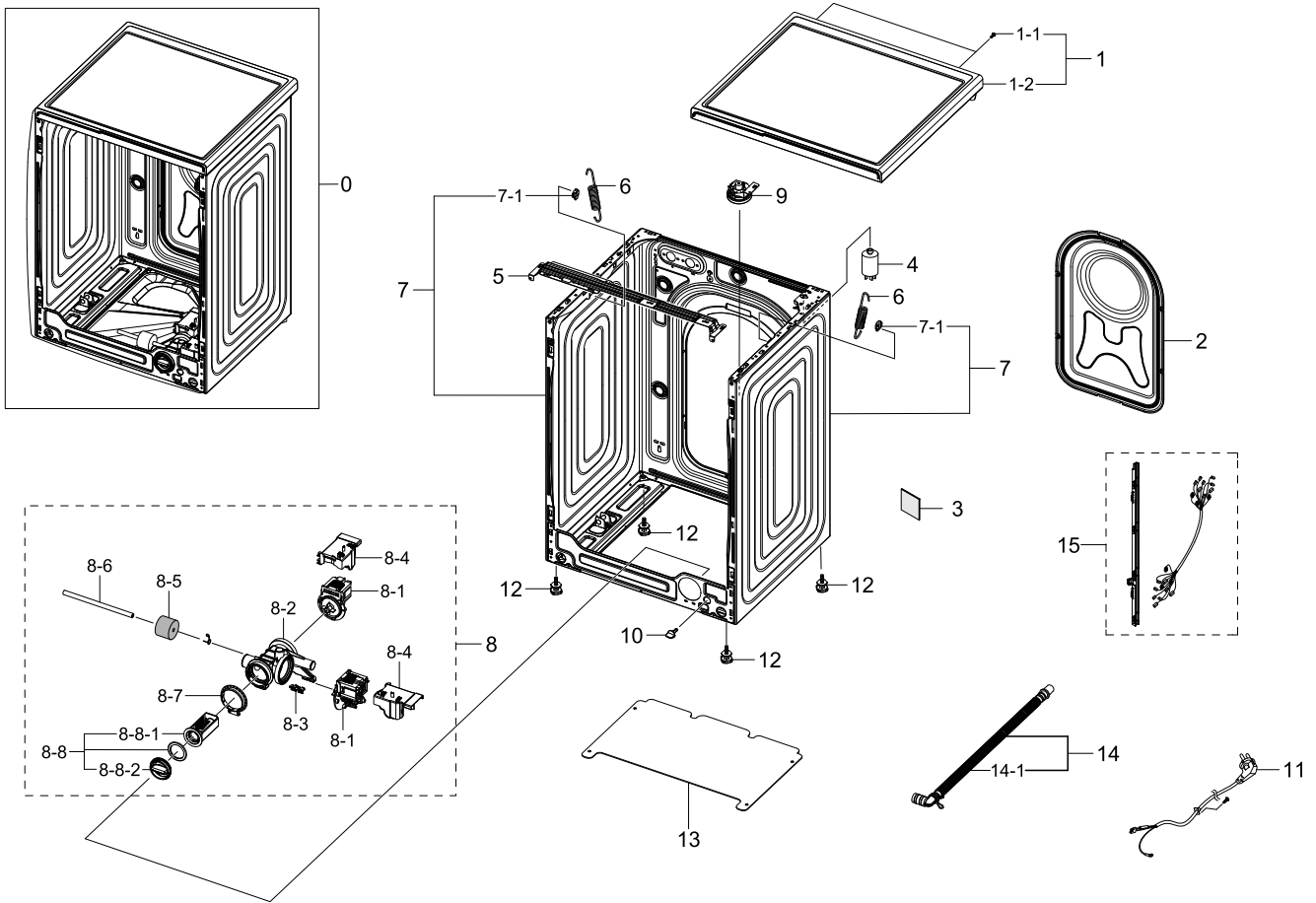
No.	Lvl.	Loc.	Material Code	Description & Specification	SNA	Qty.
1	1	W0183	DC90-12931A	ASSY COVER TOP; F500,UNI,WHT	SNA	1
2	1	W0506	DC90-12949A	ASSY FRAME; F500,UNI,NON L/S	SNA	1
2-1	2	W0194	DC97-17336A	ASSY PUMP DRAIN; F500E,WF80F5E5U4W/EF,AL-	SA	1
3	1		DC90-12807A	ASSY FRONT; WHITE,WHITE,F500	SNA	1
4	1	W0216	DC90-12798A	ASSY DRAWER; F500,UNI,WHT,COLD	SNA	1
4-1	2	W0163	DC97-17311A	ASSY HOUSING DRAWER; F500E,WF80F50FU4W,PP	SA	1
4-2	2	W0216	DC97-17310B	ASSY DRAWER; F500E,WF80F50FU4W	SNA	1
5	1	W0478	DC90-14499A	ASSY PANEL CONTROL; F500,WF80F5E0W2W/EF	SNA	1
5-1	2		DC92-01238K	ASSY KIT; UNION PBA,F500,UNI, 8kg, 1200rp	SA	1
5-2	2	W0478	DC97-17770G	ASSY PANEL CONTROL; WF80F5E0W2W/EF,French	SNA	1
6	1	W0501	DC90-12768A	ASSY TUB BACK; WF80F5E5W4W/EF	SNA	1

Exploded Views and Parts List

No.	Lvl.	Loc.	Material Code	Description & Specification	SNA	Qty.
7	1	W0165	DC90-12363A	ASSY DRUM; F500E,WF80F5E5U4W/EF	SNA	1
8	1	G0048	DC90-12369A	ASSY TUB FRONT; F500E,WF80F5E5U4W/EF	SNA	1
9	2	W0611	DC60-40146A	BOLT SPANER; CR,T2.5,-	SA	1
10	2	W0614	DC67-00307A	CAP-FIXER; WF438AAC/XAA,PP,T1.5,BLK,RM60	SC	3
11	2		DC61-03510A	GUIDE LIQUID; WF-F500E,PP,-,-,FC2305,ECO	SA	1
12	2	W0757	DC97-17845A	ASSY HOSE WATER; COLD,ALL MODEL	SA	1
13	2	W0626	DC62-10278A	HOSE HANGER; PUMP MODEL,PP,BLACK	SA	1
14	2	W0603	DC97-14653C	ASSY FIXER TUB; SCOUT,WF0804Y8E/XEF	SA	3

2. Frame&Cover Parts

Exploded View



Parts List

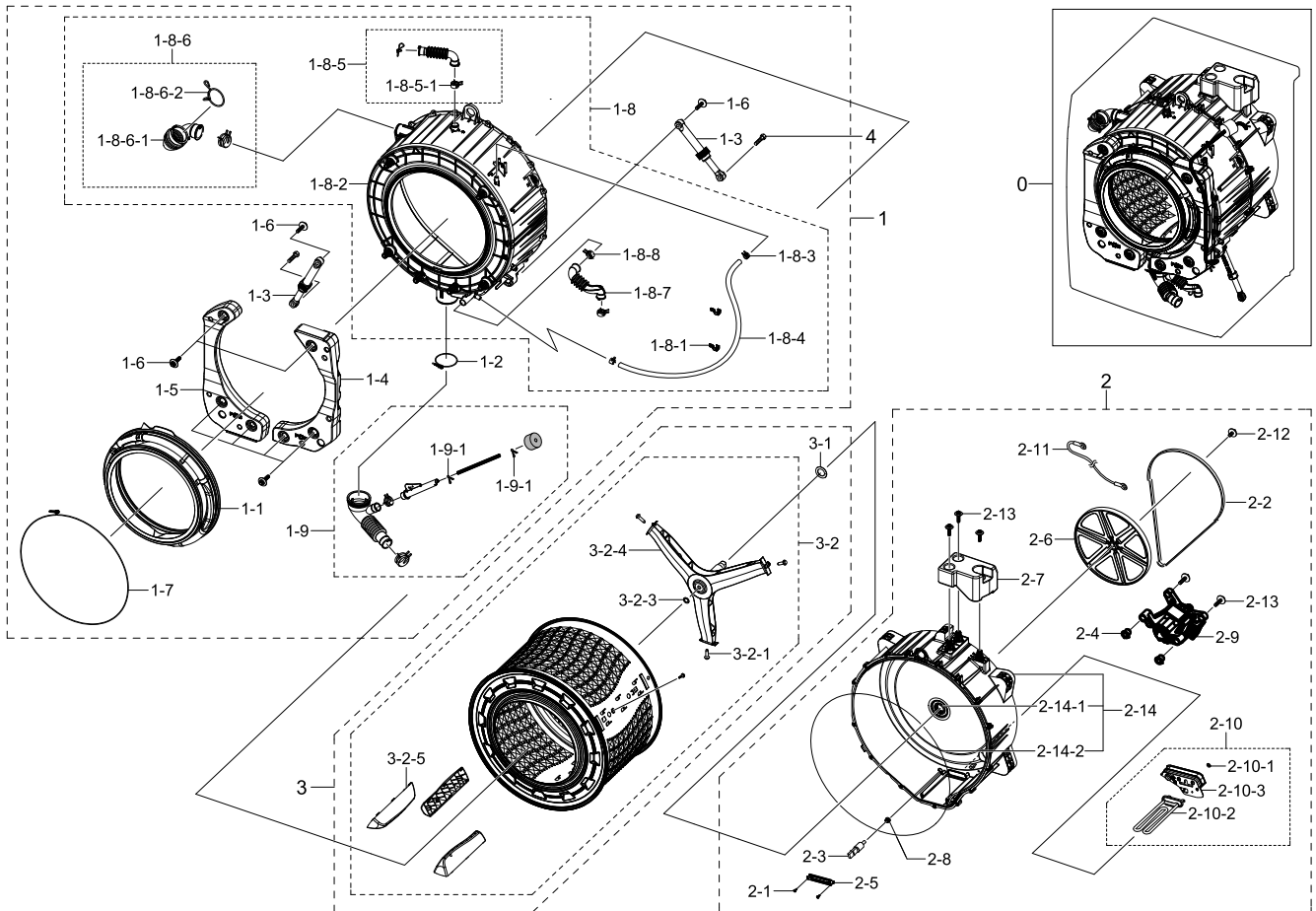
No.	Lvl.	Loc.	Material Code	Description & Specification	SNA	Qty.
1	1	W0183	DC90-12931A	ASSY COVER TOP; F500,UNI,WHT	SNA	1
1-1	2	G0425	6009-001476	SCREW-HEX; HEX,+,M5,L10,Ni-Zn(WHT),SWRCH1	SA	2
1-2	2	W0183	DC97-17254C	ASSY COVER TOP; F500E,WHITE	SA	1
2	2	G0430	DC97-15809C	ASSY COVER BACK; F400E	SA	1
3	2	W0663	DC63-10008B	SPONGE HARNESS; F500E,PE-FOAM,T10,W50,L10	SNA	1
4	2	W0229	DC29-00005D	FILTER-EMI; FA-2151T-4 / RDFC-2718,1.2mm	SA	1
5	2	W0248	DC61-03467A	FRAME PLATE-UP; WF-F500E,GI-SGCC,-,-,T1.0	SNA	1
6	2	W0630	DC61-02146B	SPRING ETC-HANGER; F500E PJT,HSWR-SWRH,CD	SA	2
7	2	W0506	DC97-17325E	ASSY FRAME; F500E,DA WHITE,COLD,UNI	SA	1
7-1	3	W0140	DC61-02065A	GUIDE SPRING; WF448AAG/XXA,POM,T4,W24,L36	SA	2

Exploded Views and Parts List

No.	Lvl.	Loc.	Material Code	Description & Specification	SNA	Qty.
8	2	W0194	DC97-17336A	ASSY PUMP DRAIN; F500E,WF80F5E5U4W/EF,AL-	SA	1
8-1	3	M0022	DC31-00030H	PUMP-DRAIN; 220V-240V,50Hz,30W, 30mm	SA	2
8-2	3	W0479	DC61-02271B	CASE PUMP; WF0804Y8E/XEF,PP,T2.5,W153.6,L	SA	1
8-3	3		DC63-00905A	CUSHION PUMP; WF8802DPF/XET,NBR,-,W37.6,L	SA	1
8-4	3	W0213	DC63-01549A	COVER PUMP; F500,PP,VO GRADE,WHT,FH44N,-	SA	2
8-5	3	W0743	DC63-10003C	SPONGE-HOSE AIR; SWF-P12,PU-FOAM,GRY	SA	1
8-6	3	U2015	DC67-00244C	HOSE DRAIN; WF0804Y8E,EPDM,ID6,OD11,T2.5,	SA	1
8-7	3		DC69-01128A	PACKING-PUMP; WF8804DP,IIR,BUTYL,T2.5,HEB	SA	1
8-8	3	G0050	DC97-15695A	ASSY FILTER; GRIFFIN-PJT,WF9804RWE,PP+EPD	SA	1
8-8-1	4	W0633	DC63-00998A	FILTER PUMP; SCOUT-PJT,PP,-,W52.8,L93.1,-	SA	1
8-8-2	4		DC64-01317A	HANDLE FILTER; PP,-,-	SA	1
9	2	W0607	DC96-01703G	ASSY SENSOR PRESSURE; GRACE-S,GRACE-S,DC	SA	1
10	2	W0613	DC61-10673A	CAP DRAIN; PP,-,-,BJ-730,-	SA	1
11	2	W0081	DC96-00146A	ASSY POWER CORD; VDE,UCP2,250V16A,H05VV-F	SA	1
12	2	W0606	DC97-00920U	ASSY LEG; F500E,WF80F5E5U4W/EF,H33.5,P1.5	SA	4
13	2	W0629	DC64-02912A	SHUTTER; F500E,PP,-	SNA	1
14	2	W0604	DC97-16240F	ASSY HOSE DRAIN(O); F500E,WF80F5E5U4W	SA	1
14-1	3		DC67-00516D	HOSE DRAIN-O; F500,EPDM,ID17,T1,-	SA	1
15	2	W0080	DC93-00353C	ASSY M.GUIDE WIRE HARNESS; DRUM	SA	1

3. Assy Tub&Drum

Exploded View



Parts List

No.	Lvl.	Loc.	Material Code	Description & Specification	SNA	Qty.
1	1	G0048	DC90-12369A	ASSY TUB FRONT; F500E,WF80F5E5U4W/EF	SNA	1
1-1	2	W0234	DC64-02888A	DOOR DIAPHRAGM; WF80F5E5U4W,TPE,T2.4,H80.	SA	1
1-2	2	W0744	DC65-00021A	CLAMPER HOSE-JOINT; HEBA PJT,HSWR-SWRH,ID	SA	1
1-3	2	W0618	DC66-00531C	DAMPER SHOCK; HEBA,STEEL+PP+RUBBER,80N,W2	SA	2
1-4	2	W0232	DC67-00681A	WEIGHT BALANCER-RIGHT; F500,CONCRETE,W238	SA	1
1-5	2	W0233	DC67-00682A	WEIGHT BALANCER-LEFT; F500,CONCRETE,W238,	SA	1
1-6	2	W0601	DC97-14263A	ASSY BOLT; HEBA-PJT,MOTOR/BOLT(M8)+WASHER	SA	5
1-7	2	M0038	DC97-14618A	ASSY CLAMP DIAPHRAGM; WF8804DP,OD2.0/L124	SA	1

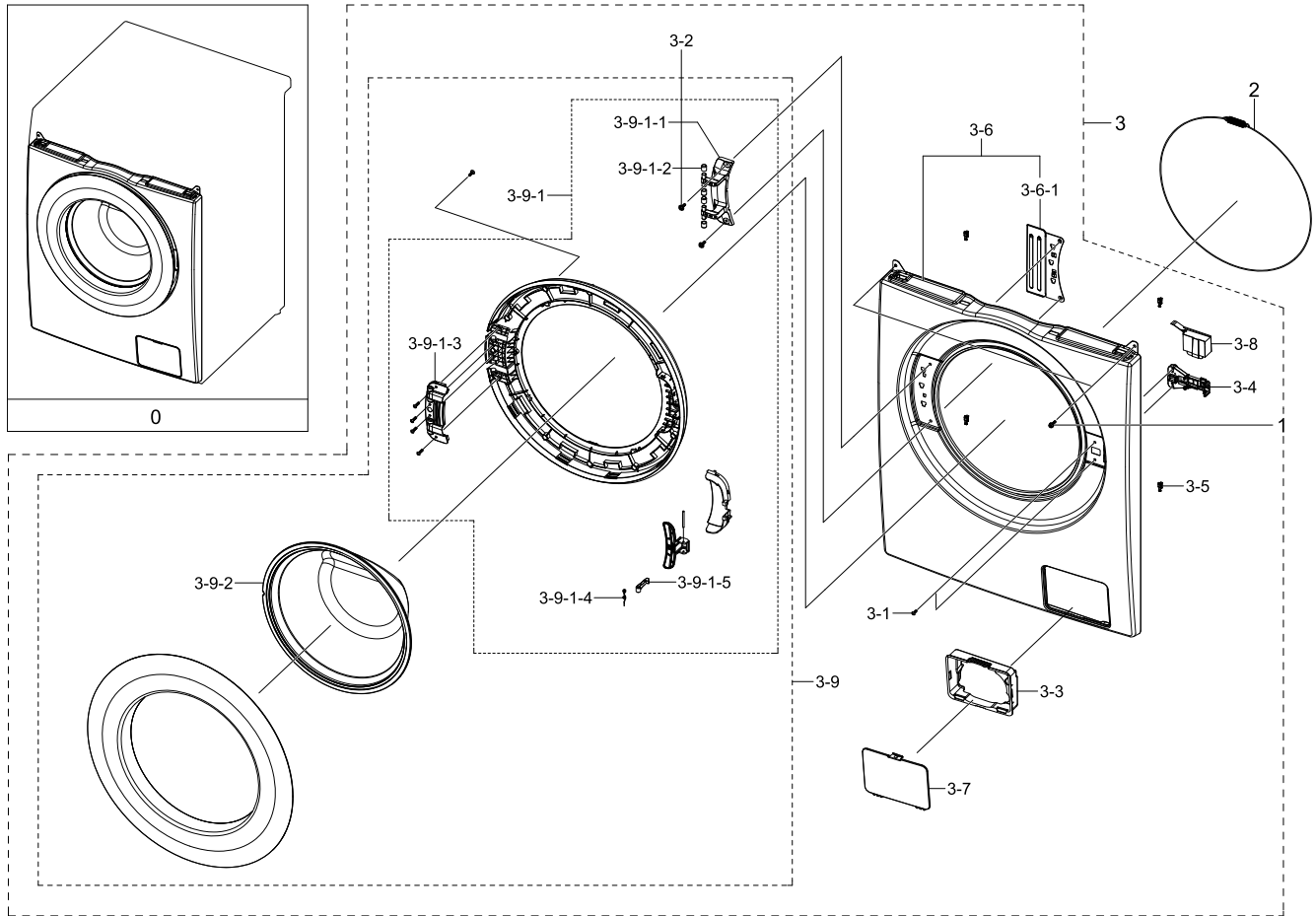
Exploded Views and Parts List

No.	Lvl.	Loc.	Material Code	Description & Specification	SNA	Qty.
1-8	2	W0636	DC97-17327A	ASSY SEMI TUB FRONT; F500E,WF80F5E5U4W/EF	SNA	1
1-8-1	3	G0415	DC61-02646A	GUIDE HOSE; WF0804Y8E,PP,T2.0,W9.8,L36.6,	SNA	2
1-8-2	3	W0632	DC61-03453A	TUB FRONT; F500,FRPP,OD 546.1,NTR,BUBBLE	SA	1
1-8-3	3	W0615	DC65-00008A	CLAMPER HOSE; SEW-DR605,SK5,-,ID14.2/T0.9	SA	4
1-8-4	3	G0052	DC67-00471E	HOSE CIRCULATION; F500E,EPDM,ID9.0,BLK	SA	1
1-8-5	3	G0422	DC97-14873B	ASSY HOSE AIR; HEBA,WF8702,-,BLACK	SA	1
1-8-5-1	4	W0615	DC61-00158A	CLAMPER HOSE; SW65ASP,SK5,ID23,T0.8,-	SA	1
1-8-6	3	G0043	DC97-14874C	ASSY HOSE DRAWER; HEBA BIGBANG,WF0800NCE,	SA	1
1-8-6-1	4	W0624	DC67-00422A	HOSE DRAWER TUB; HEBA-PJT,EPDM,BLK	SC	1
1-8-6-2	4	W0610	DC72-00001G	CLIP RING; HEBA-PJT,HSWR-SWRH,T3.0,ID49.5	SA	1
1-8-7	3	G0053	DC67-00671A	HOSE AIR TUB; F500,EPDM,19.3,29,T2.5,50,B	SNA	1
1-8-8	3	W0615	DC61-00158A	CLAMPER HOSE; SW65ASP,SK5,ID23,T0.8,-	SA	2
1-9	2	W0605	DC97-17330A	ASSY HOSE PRESSURE; F500E,WF80F5E5U4W/EF	SA	1
1-9-1	3	M0005	DC61-70029C	CLIP RING; SEW-HW125,HSWR,WHITE	SA	2
2	1	W0501	DC90-12768A	ASSY TUB BACK; WF80F5E5W4W/EF	SNA	1
2-1	2	W0105	6002-000473	SCREW-TAPPING; TH,+,NO,1,M4,L14,PASS,STS3	SA	2
2-2	2	W0209	6602-001497	BELT-TIMING GEAR; RUBBER(GATES),T3.2,1270	SA	1
2-3	2	M0487	DC32-00010C	THERMISTOR; 3243OHM AT 60-10~100,5,10	SA	1
2-4	2		DC63-01623A	CUSHION MOTOR; WF80F5E5U4W,NBR,-,40,Black	SA	2
2-5	2	W0230	DC61-02874A	BRACKET HEATER; WD0704CQR,STAINLESS-STS43	SA	1
2-6	2	W0434	DC66-00767A	PULLEY MOTOR; F500,PA66,AF216V60(PA66+GF6	SA	1
2-7	2	W0231	DC67-00670A	WEIGHT BALANCER-UP; F500,CONCRETE,T61.9,W	SA	1
2-8	2	M0028	DC69-00824A	PACKING-THERMISTOR; GW-PJT,EPDM,-,-,W17,H	SA	1
2-9	2	W0086	DC31-00123F	MOTOR UNIVERSAL-DRUM; UML 5204.01,1400,22	SA	1
2-10	2	G0420	DC93-00355A	ASSY HEATER; SEPM,230V/ 2000W,NTR	SNA	1
2-10-1	3	W0110	6031-001531	WASHER-PLAIN; SCP1,ID7,OD14,T1.2,ZPC2,ACE	SA	1
2-10-2	3	W0237	DC47-00033B	HEATER-WASH; HEBA,SUS316L,2000,8.69,230V,	SA	1
2-10-3	3	W0235	DC63-01553A	COVER HEATER; F500 PJT,ABS+PC,W77,L168.1,	SA	1

No.	Lvl.	Loc.	Material Code	Description & Specification	SNA	Qty.
2-11	2	W0503	DC96-01327B	ASSY WIRE HARNESS; P-FrontWM-55,HEBA,-,-,	SA	1
2-12	2	W0601	DC97-06080A	ASSY BOLT; SEW-3HR105,BOLT+WASHER	SA	1
2-13	2	W0601	DC97-14263A	ASSY BOLT; HEBA-PJT,MOTOR/BOLT(M8)+WASHER	SA	5
2-14	2	W0501	DC97-17334A	ASSY TUB BACK; F500E,WF80F5E5U4W/EF,8.0kg	SA	1
2-14-1	3	W0148	DC62-00008A	SEAL OIL; NBR,BLACK,-,NBU	SA	1
2-14-2	3	W0740	DC69-01769A	PACKING-TUB; ARNO,EPDM,EPDM,T5.5,L1720,BL	SA	1
3	1	W0165	DC90-12363A	ASSY DRUM; F500E,WF80F5E5U4W/EF	SNA	1
3-1	2		DC60-00069A	SPACER; WR-HA139WA,STAINLESS-ST304,ID30.	SA	1
3-2	2	W0165	DC97-17231A	ASSY DRUM; F500 PJT,8KG,1400RPM	SA	1
3-2-1	3	G0049	DC60-40137A	BOLT HEX; MARS-PJT,STAINLESS-ST304,M8,P1	SA	3
3-2-3	3		6044-001172	RING-OG; ID28,OD30.5,T2.5,BLK,NBR	SA	1
3-2-4	3	W0164	DC97-17234A	ASSY FLANGE SHAFT; F500 PJT,8KG,1400RPM	SA	1
3-2-5	3	W0619	DC66-00759A	DRUM LIFTER; F500 PJT,PP,W52,H45.8,L246,-	SA	3
4	2	G0049	6011-001644	BOLT-HEX; M10,L35,ZPC2,SM10C,DAMPER	SA	2

4. Assy Front

Exploded View



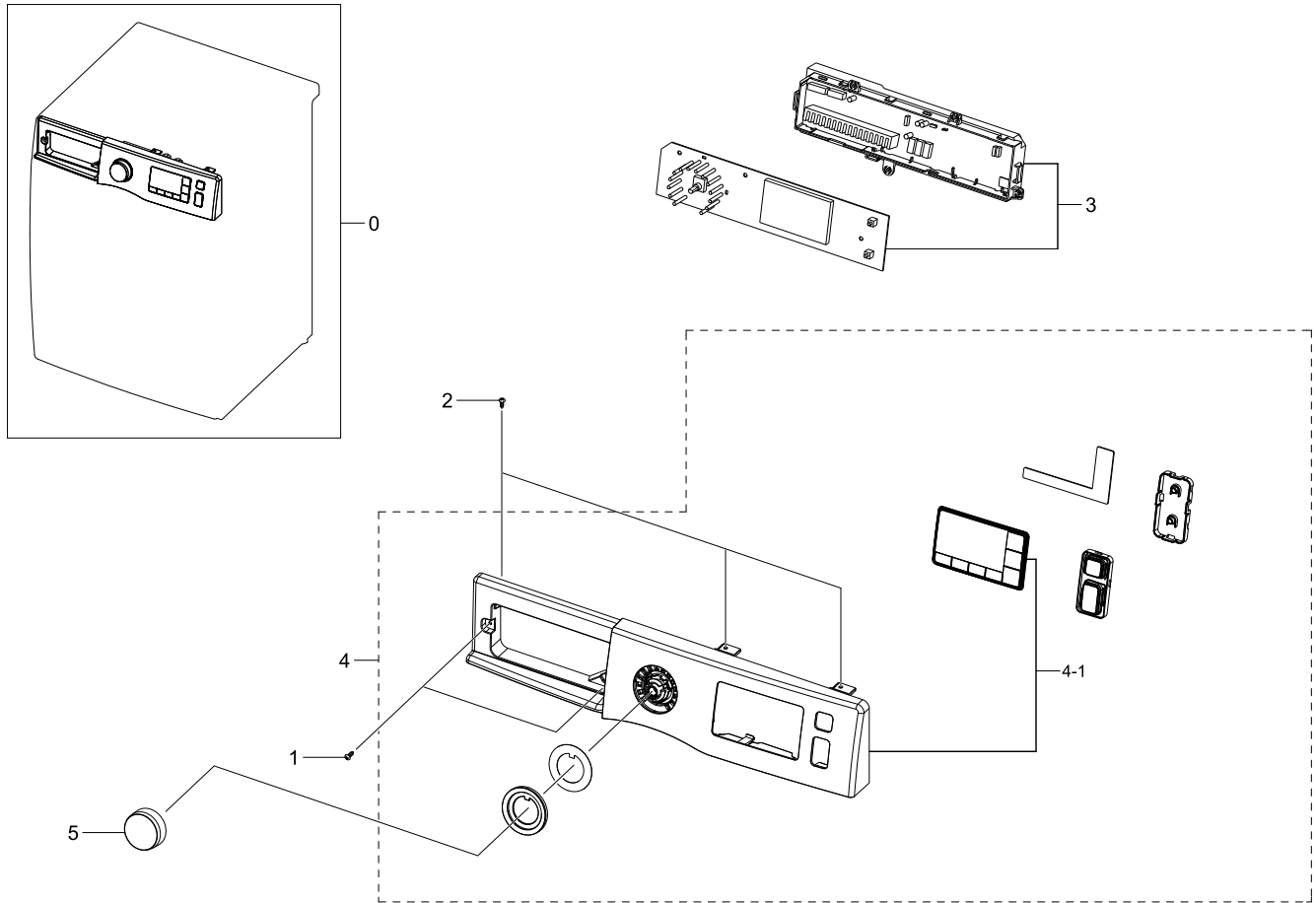
Parts List

No.	Lvl.	Loc.	Material Code	Description & Specification	SNA	Qty.
0	1		DC90-12807A	ASSY FRONT; WHITE,WHITE,F500	SNA	1
1	2	W0105	6002-001438	SCREW-TAPPING; HWH,+,NO,1,M5,L12,ZPC(WHT)	SA	2
2	2	W0608	DC91-12078D	ASSY WIRE DIAPHRAGM; HEBA-PJT,-,-,-,-,-	SA	1
3	2	W0253	DC97-17361C	ASSY FRAME FRONT; F500E	SNA	1
3-1	3	W0105	6002-001435	SCREW-TAPPING; TH,+,2,M4,L12,PASS,STS430	SNA	2
3-2	3	G0425	6009-001522	SCREW-HEX; HWH,+,M5,L16,PASS,STS430,FP,SE	SA	2
3-3	3	W0228	DC61-01917A	GUIDE FILTER; WF8804DP,HIPS,T2.5,W149.2,L	SA	1
3-4	3	W0225	DC64-01538A	DOOR-LOCK S/W; ZV-446L5,PA,W95,L52,WHITE,	SA	1
3-5	3		DC61-02577B	GUIDE FRAME FRONT; WF1802XEC,POM,L19.4,NT	SNA	4
3-6	3	W0727	DC97-17482C	ASSY FRAME FRONT(S); F500,WF80F5E5U4W/EF,	SA	1

No.	Lvl.	Loc.	Material Code	Description & Specification	SNA	Qty.
3-6-1	4	W0226	DC61-02584A	BRACKET HINGE; GI-SGCC,T1.4,-	SA	1
3-7	3	W0516	DC63-00920A	COVER-FILTER; WF8500NHW,ABS,T2.5,W115.5,L	SA	1
3-8	3	W0435	DC63-00967A	COVER DOOR SWITCH; AEGIS-PJT/ WF8500NHW,P	SA	1
3-9	3	W0459	DC97-17364C	ASSY DOOR; F500E	SA	1
3-9-1	4	W0454	DC97-17363A	ASSY HOLDER GLASS; F400E	SNA	1
3-9-1-1	5	W0219	DC61-03189A	HINGE DOOR; WF8804DP,PA66,T5.0,W51.7,L156	SA	1
3-9-1-2	5	W0220	DC61-00891A	GUIDE HINGE; HAUZEN(DOM),POM,-,-,-,WHT,HI	SA	4
3-9-1-3	5	W0754	DC61-01915B	BRACKET HOLDER; WF8804DP,GI-SGCC,T1.2,N/A	SA	1
3-9-1-4	5	W0142	DC61-02027A	SPRING ETC LEVER; STAINLESS-ST304,CD1.2,	SA	1
3-9-1-5	5	W0474	DC66-00497A	LEVER DOOR; WF8804DP,ZNDC,T10,W10,L46,NI	SC	1
3-9-2	4	W0448	DC64-01521A	DOOR GLASS; WF8804DP,GLASS,T5.0,H120.5,NA	SA	1

5. Assy Panel Control

Exploded View

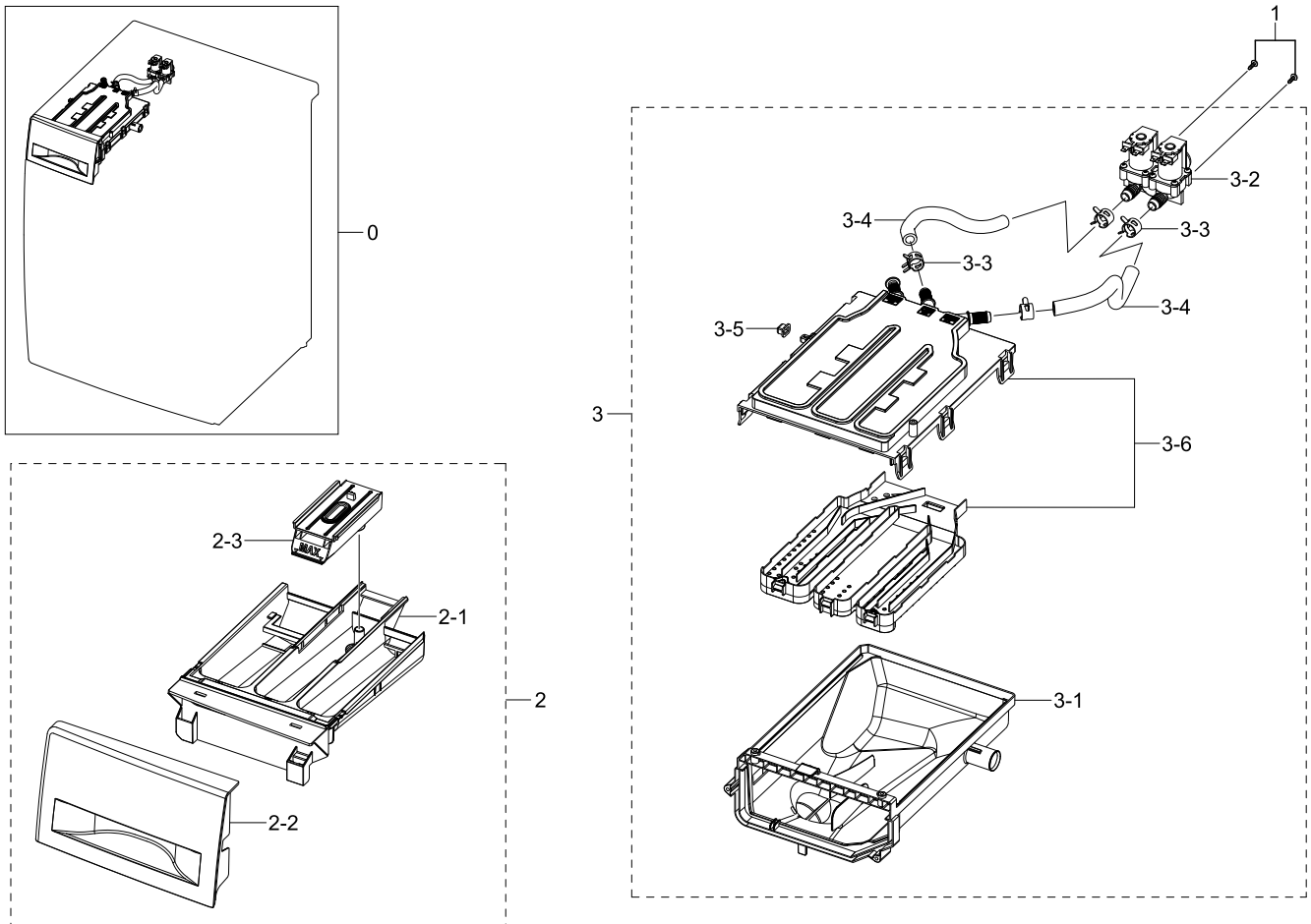


Parts List

No.	Lvl.	Loc.	Material Code	Description & Specification	SNA	Qty.
0	1	W0478	DC90-14499A	ASSY PANEL CONTROL; F500,WF80F5E0W2W/EF	SNA	1
1	2	W0105	6002-000445	SCREW-TAPPING; TH,+,NO,2,M4,L18,PASS,STS4	SNA	2
2	2	W0105	6002-000520	SCREW-TAPPING; TH,+,-,2,M4,L12,ZPC(WHT),S	SNA	3
3	2		DC92-01238K	ASSY KIT; UNION PBA,F500,UNI, 8kg, 1200rp	SA	1
4	2	W0478	DC97-17770G	ASSY PANEL CONTROL; WF80F5E0W2W/EF,French	SNA	1
4-1	3	W0478	DC97-17771G	ASSY PANEL CONTROL; WF80F5E0W2W/EF,French	SNA	1
5	2	W0475	DC97-17318B	ASSY KNOB ENCODER; WF80F50FU4W/EF	SA	1

6. Assy Drawer

Exploded View



Parts List

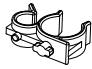



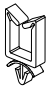



No.	Lvl.	Loc.	Material Code	Description & Specification	SNA	Qty.
0	1	W0216	DC90-12798A	ASSY DRAWER; F500,UNI,WHT,COLD	SNA	1
1	2	F0055	6003-000226	SCREW-TAPTYPE; TH,+,-,S,M4,L8,ZPC(WHT),SW	SC	2
2	2	W0216	DC97-17310B	ASSY DRAWER; F500E,WF80F50FU4W	SNA	1
2-1	3	W0156	DC61-03480A	BODY DRAWER; WF-F500E,PP,White,F500, 8kg	SA	1
2-2	3		DC64-02858B	PANEL DRAWER; WF-F500E,ABS,-,WHITE,F500E	SA	1
2-3	3	W0215	DC67-00669A	CAP RINSE; WF-F500E,PP,-,ECO BLUE,F500	SA	1
3	2	W0163	DC97-17311A	ASSY HOUSING DRAWER; F500E,WF80F50FU4W,PP	SA	1
3-1	3	W0372	DC61-03473A	HOUSING DRAWER-LOW; WF-F500E,PP,-,WHITE,-	SA	1
3-2	3	W0078	DC62-00024M	VALVE WATER; 220-240,10,D-2	SC	1
3-3	3	W0615	DC65-00008A	CLAMPER HOSE; SEW-DR605,SK5,-,ID14.2/T0.9	SA	4

Exploded Views and Parts List

No.	Lvl.	Loc.	Material Code	Description & Specification	SNA	Qty.
3-4	3	W0151	DC67-00051T	HOSE DRAWER; F500E,EPDM,ID9.0,OD14.5,L230	SA	2
3-5	3		DC67-00327A	CAP DRAWER HOOK; HEBA-PJT,EPDM,T1.1,W13.9	SA	1
3-6	3	W0497	DC97-17347A	ASSY S.HOUSING DRAWER; F500E,WF80F5E5U4W	SA	1

7. Small Parts

Exploded View

							
1	2	3	4	5	6	7	8

Parts List

No.	Lvl.	Loc.	Material Code	Description & Specification	SNA	Qty.
1	2	W0616	DC61-00133A	CLAMPER HOSE-FIX; P1291,PP,-,HOSE+PLUG,BJ	SA	1
2	2	W0616	DC61-00118A	CLAMPER HOSE-FIX; P1291,PA66,ID27,OD30	SA	1
3	2	W0623	DC61-40081A	HOLDER WIRE; DAWH-2NC,PA,-,NATURAL,-	SA	5
4	2	W0623	DC61-40083A	HOLDER WIRE; DAWH-3ND,NYLON66,NTR(PI24.4)	SA	1
5	2	M0001	DC61-00553B	HOLDER-WIRE SADDLE; PA,NTR,NYLON66	SA	4
6	2		DC65-20010A	CABLE CLAMP; DA-9N-1,NYLON66,NTR	SNA	1
7	2		6502-000127	CABLE CLAMP; DAWH-18NB,ID15,-,NYLON66,NTR	SA	1
8	2	W0623	DC61-00995C	HOLDER WIRE; HEBA-PJT,PA,ID26,W6,L145,NYL	SA	1