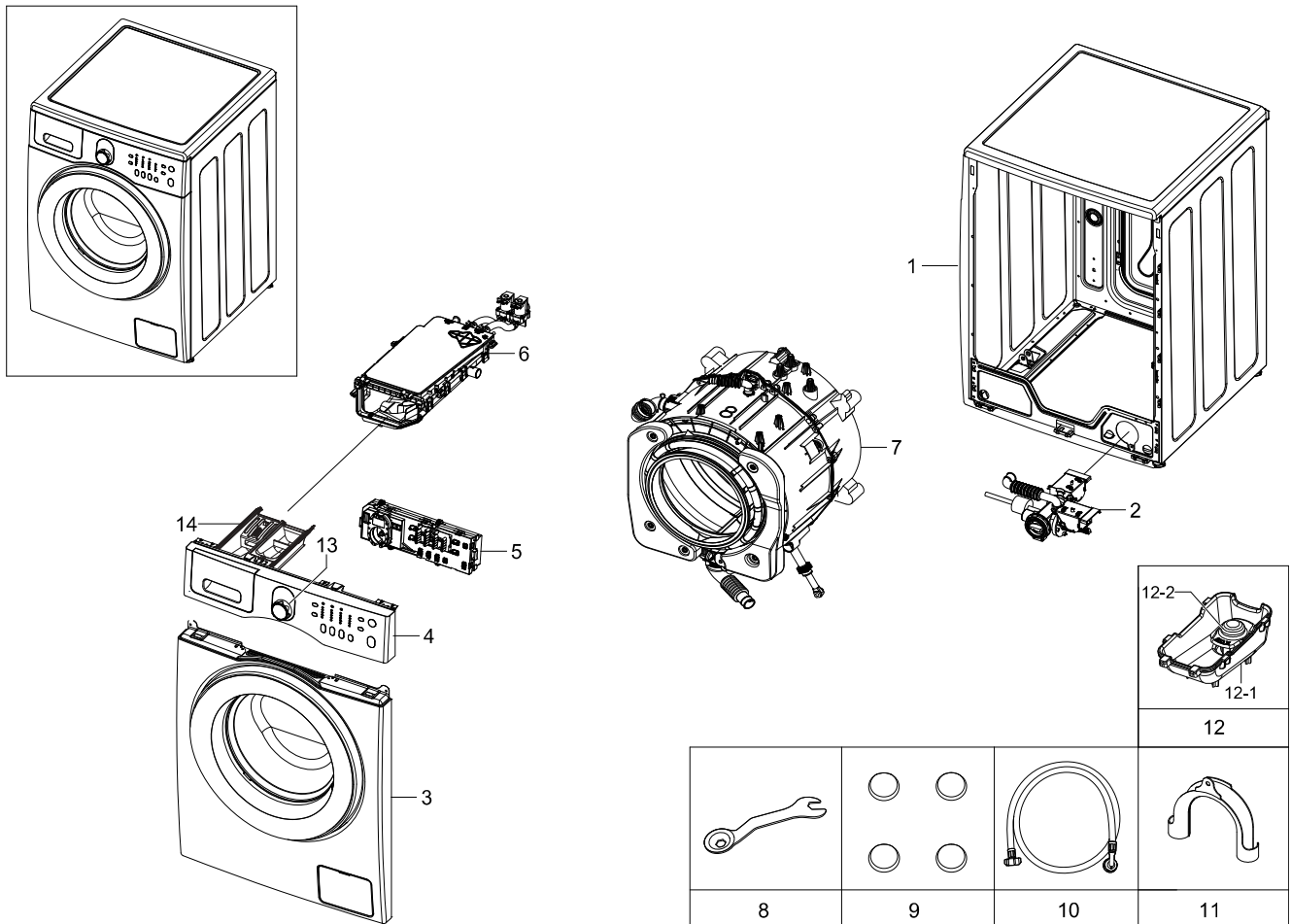


1. Main

Exploded View



Parts List

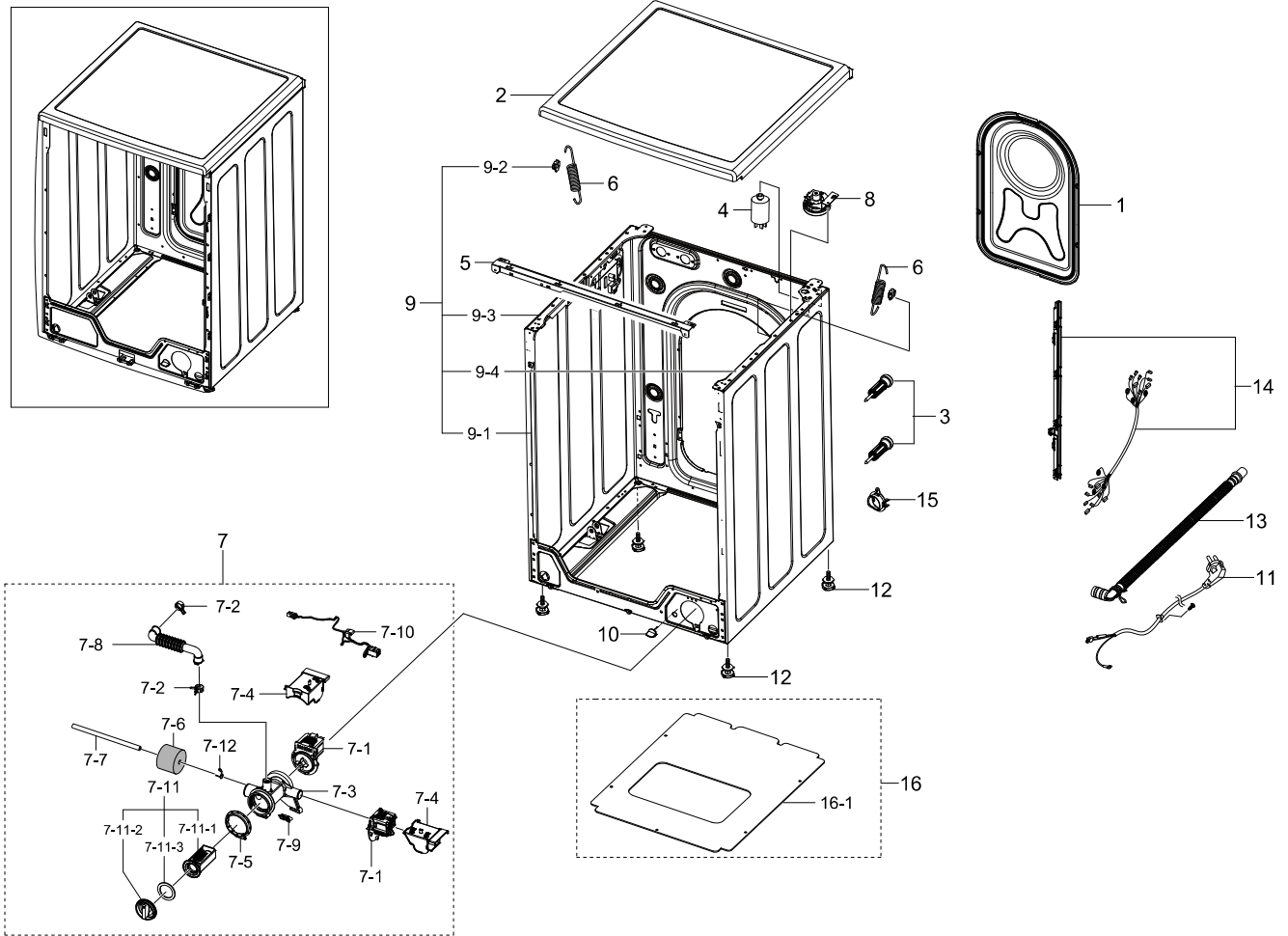
No.	Lvl.	Loc.	Material Code	Description & Specification	SNA	Qty.
1	2	W0506	DC97-16515C	ASSY FRAME; VISTULA,WF1702WSW2/XEE,GI(PCM	SA	1
2	2	W0194	DC97-15696E	ASSY PUMP DRAIN; SCOUT-PJT,WF0804Y8E/XEF,	SA	1
3	2	W0253	DC97-15006P	ASSY FRAME FRONT; VISTULA-SEPM,WF1704WPC2	SNA	1
4	2	W0478	DC97-16901R	ASSY PANEL CONTROL; VISTULA,WF1704WSV2/XE	SA	1
5	2	W0701	DC92-00917A	ASSY PCB MAIN UNION; 7kg 1200rpm,Vistula	SA	1
6	2	W0163	DC97-16005Q	ASSY HOUSING DRAWER; SCOUT,WF0804Y8E,COLD	SA	1
7	1	W0502	DC90-08196A	ASSY TUB & DRUM; VISTULA,WF1704WPC2/XEF	SNA	1
8	2	W0611	DC60-40146A	BOLT-SPANER; CR,T2.5,-	SA	1

Exploded Views and Parts List

No.	Lvl.	Loc.	Material Code	Description & Specification	SNA	Qty.
9	2	W0614	DC67-00307A	CAP-FIXER; WF438AAC/XAA,PP,T1.5,BLK,RM60	SC	4
10	2	W0757	DC97-16921A	ASSY HOSE WATER; HEBA,WF8804,REFLEX,BLUE/	SA	1
11	2	W0626	DC62-10278A	HOSE-HANGER; PUMP MODEL,PP,BLACK	SA	1
12	2	W0630	DC97-16128C	ASSY COVER DRAWER; HEBA,PP	SA	1
12-1	3	M0102	DC61-02581C	GUIDE-LIQUID(M); WF1802XEC,PP,T2.0,W61,W1	SA	1
12-2	3	W0632	DC67-00524A	CAP-DRAWER; WF0804Y8E/XEF,PP,T2.0,W27,L43	SA	1
13	2	W0475	DC97-15723B	ASSY KNOB ENCODER; GRIFFIN-PJT,WF9904RWE,	SA	1
14	2	W0216	DC97-16021A	ASSY DRAWER; SCOUT,WF0804Y8E	SA	1

2. Frame&Cover Parts

Exploded View



Parts List

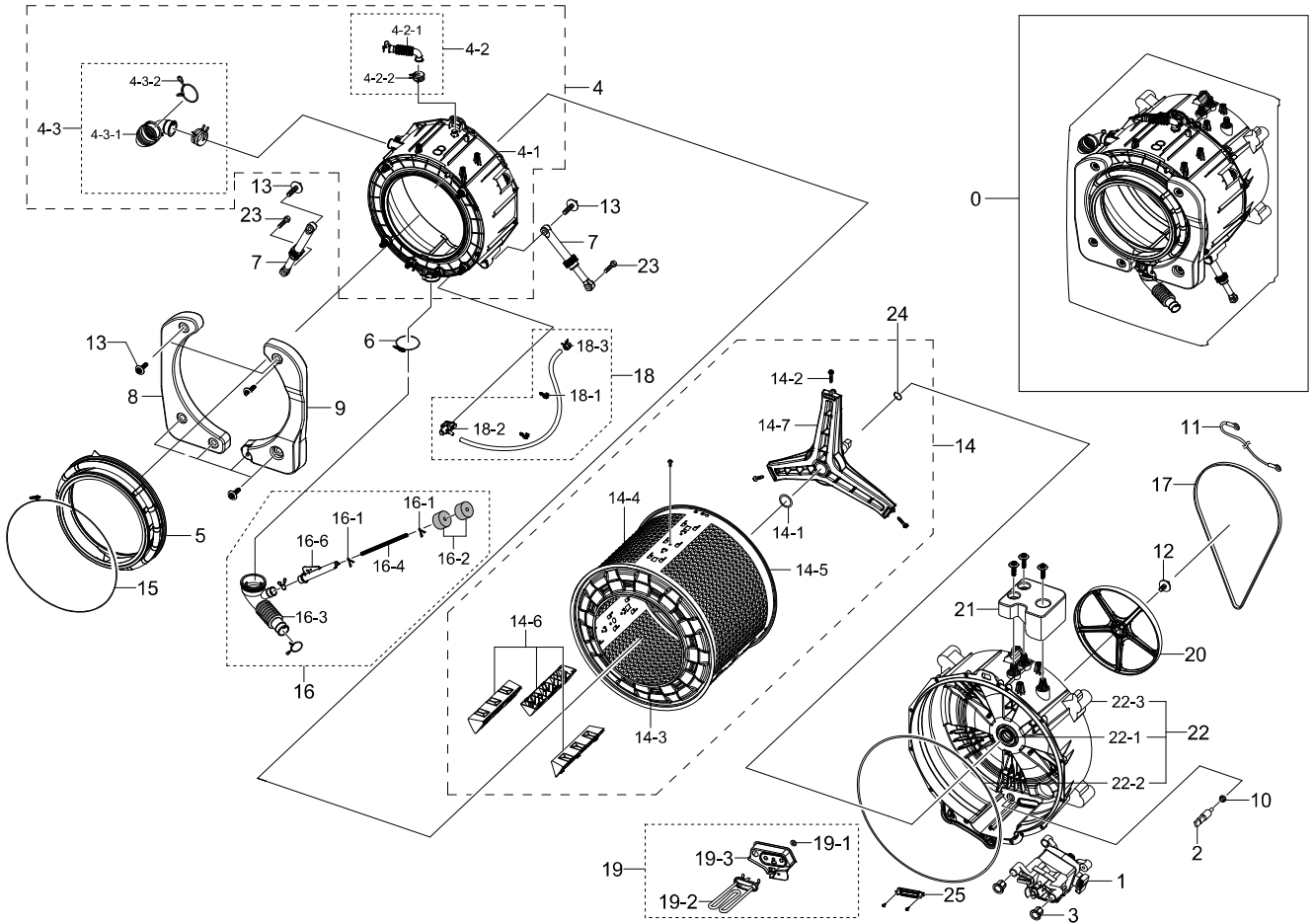
No.	Lvl.	Loc.	Material Code	Description & Specification	SNA	Qty.
1	2	G0430	DC97-15809A	ASSY COVER BACK; GRIFFIN PJT,WF9904RWE/XE	SA	1
2	2	W0183	DC97-14953A	ASSY COVER TOP; HEBA-PJT,-,WOOD+AL FOIL+U	SA	1
3	2	W0603	DC97-14794C	ASSY FIXER TUB; SCOUT,WF0704L7W/XEF	SA	4
4	2	W0229	DC29-00005D	FILTER-EMI; FA-2151T-4 / RDFC-2718,1.2mm	SA	1
5	2	W0721	DC97-15363A	ASSY FRAME PLATE(U); HEBA,ALL,GI,T1.2,600	SA	1
6	2	W0630	DC61-02029C	SPRING ETC-HANGER; GE24,HSWR-SWRH,CD3.5,I	SA	2
7	2	W0194	DC97-15696E	ASSY PUMP DRAIN; SCOUT-PJT,WF0804Y8E/XEF,	SA	1
7-1	3	M0022	DC31-00030A	PUMP-DRAIN; B20-6 / S3001,220V-240V,50Hz,	SA	2
7-2	3	W0615	DC61-00158A	CLAMPER HOSE; SW65ASP,SK5,ID23,T0.8,-	SA	2

Exploded Views and Parts List

No.	Lvl.	Loc.	Material Code	Description & Specification	SNA	Qty.
7-3	3	W0479	DC61-02271B	CASE-PUMP; WF0804Y8E/XEF,PP,T2.5,W153.6,L	SA	1
7-4	3	W0213	DC63-00830A	COVER-PUMP; -,PP,-,W59.0,L77,V0 GRADE,WHT	SC	2
7-5	3		DC69-01128A	PACKING-PUMP; WF8804DP,IIR,BUTYL,T2.5,HEB	SA	1
7-6	3	W0743	DC63-10003C	SPONGE-HOSE AIR; SWF-P12,PU-FOAM,GRY	SA	1
7-7	3	U2015	DC67-00244C	HOSE-DRAIN; WF0804Y8E,EPDM,ID6,OD11,T2.5,	SA	1
7-8	3	G0053	DC67-00461A	HOSE-AIR TUB; SCOUT- PJT,EPDM,T1.5,BLK	SA	1
7-9	3		DC63-00905A	CUSHION-PUMP; WF8802DPF/XET,NBR,-,W37.6,L	SA	1
7-10	3	W0224	DC93-00016C	ASSY WIRE HARNESS-PUMP; DRUM,SCOUT,CIRCUL	SA	1
7-11	3	G0050	DC97-15695A	ASSY FILTER; GRIFFIN-PJT,WF9804RWE,PP+EPD	SA	1
7-11-1	4	W0633	DC63-00998A	FILTER-PUMP; SCOUT-PJT,PP,-,W52.8,L93.1,-	SA	1
7-11-2	4		DC64-01317A	HANDLE-FILTER; PP,-,-	SA	1
7-11-3	4		DC73-00022A	SEAL-PACKING; SEW-HVR149ATA,EPDM,BLK,-	SNA	1
7-12	3	W0615	DD65-00001F	CLAMPER HOSE; HSWR-SWRH,D10.5/T1.2	SA	1
8	2	W0607	DC96-01703A	ASSY SENSOR PRESSURE; Hook	SA	1
9	2	W0506	DC97-16515C	ASSY FRAME; VISTULA,WF1702WSW2/XEE,GI(PCM	SA	1
9-1	3	W0244	DC61-02172A	FRAME; HEBA-PJT,EGI-SECC,DA WHT,T0.8,W598	SNA	1
9-2	4	W0140	DC61-02065A	GUIDE-SPRING; WF448AAG/XXA,POM,T4,W24,L36	SA	1
9-3	4	W0485	DC61-01924A	BRACKET-SPRING(L); HEBA-PJT 7KG,GI-SGCC,T	SA	1
9-4	4	W0486	DC61-01926A	BRACKET-SPRING(R); HEBA-PJT/7KG,GI-SGCC,T	SA	1
10	2	W0613	DC61-10673A	CAP-DRAIN; PP,-,-,BJ-730,-	SA	1
11	2	W0081	DC96-00146A	ASSY POWER CORD; VDE,UCP2,250V16A,H05VV-F	SA	1
12	2	W0606	DC97-00920C	ASSY LEG; SEW-HW108,L48.5,M10	SA	4
13	2	W0604	DC97-02250Q	ASSY HOSE DRAIN(O); HEBA,WF8802DP,-,-,-	SA	1
14	2	W0080	DC93-00273E	ASSY M.GUIDE WIRE HARNESS; VISTULA,WF1804	SA	1
15	2	G0415	DC61-00274C	GUIDE-HOSE; P/PV/M,PP,BLK,FRAME/DRAIN-HOS	SA	1
16	2	G0438	DC97-15365B	ASSY SHUTTER; HEBA-COMBO,WD8704,PP+EPDM,T	SA	1
16-1	3	W0629	DC64-01757A	SHUTTER; HEBA-PJT,PP,T3.0,-,-,WHT,7kg/DAN	SA	1

3. Assy Tub&Drum

Exploded View



Parts List

No.	Lvl.	Loc.	Material Code	Description & Specification	SNA	Qty.
0	1	W0502	DC90-08196A	ASSY TUB & DRUM; VISTULA,WF1704WPC2/XEF	SNA	1
1	2	W0086	DC31-00002T	MOTOR UNIVERSAL-DRUM; MCC 52/64-148/SEC11	SA	1
2	2	M0487	DC32-00010A	THERMISTOR; -,11982OHM AT 25-,-55~155	SA	1
3	2		DC61-01088A	BUSH-MOTOR; Q1636,PA6,ID16.2,OD20.2,L21.4	SA	2
4	2	W0636	DC97-16129B	ASSY SEMI TUB FRONT; SCOUT,WF0704W7E,7kg,	SNA	1
4-1	3	W0632	DC61-01933C	TUB-FRONT; HEBA PJT,FRPP,ID528,OD575,NTR,	SA	1
4-2	3	G0422	DC97-14873B	ASSY HOSE AIR; HEBA,WF8702,-,BLACK	SA	1
4-2-1	4	W0437	DC67-00354A	HOSE-AIR; HEBA PJT,EPDM,BLK,7kg	SNA	1
4-2-2	4	W0615	DC61-00158A	CLAMPER HOSE; SW65ASP,SK5,ID23,T0.8,-	SA	1

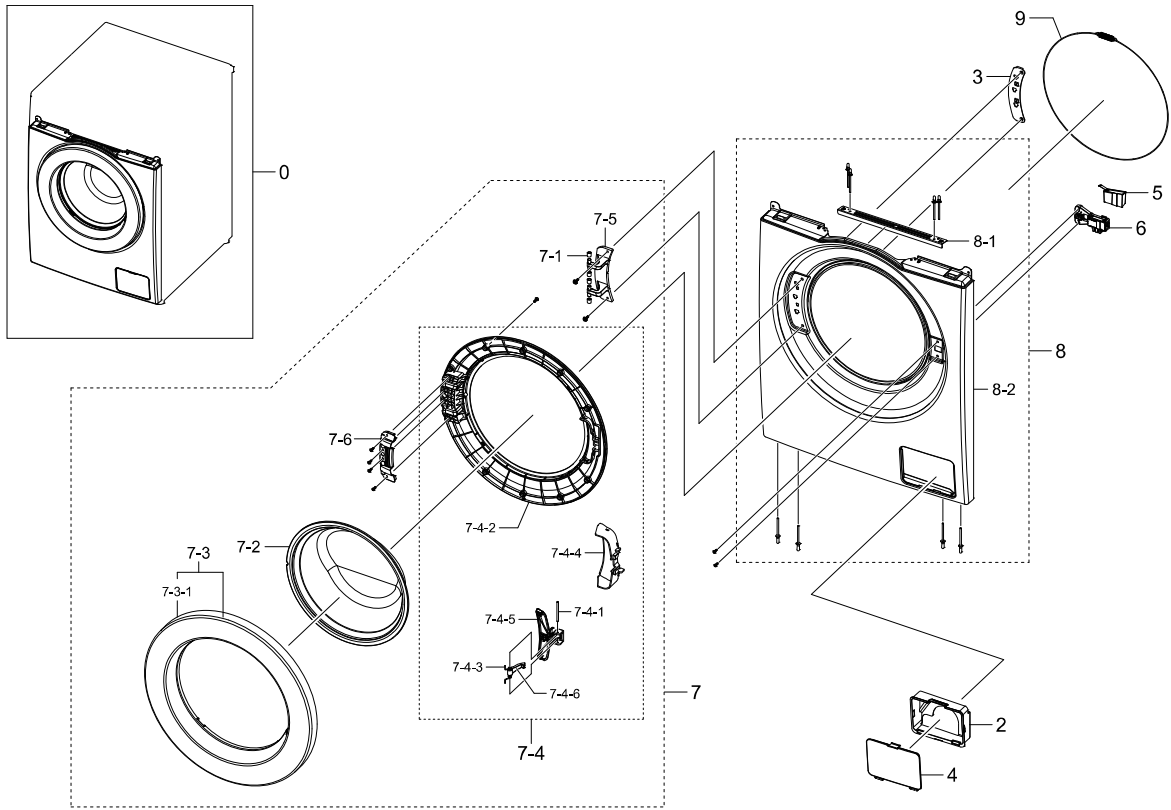
Exploded Views and Parts List

No.	Lvl.	Loc.	Material Code	Description & Specification	SNA	Qty.
4-3	3	G0043	DC97-14874C	ASSY HOSE DRAWER; HEBA BIGBANG,WF0800NCE,	SA	1
4-3-1	4	W0624	DC67-00422A	HOSE-DRAWER TUB; HEBA-PJT,EPDM,BLK	SC	1
4-3-2	4	W0610	DC72-00001G	CLIP-RING; HEBA-PJT,HSWR-SWRH,T3.0,ID49.5	SA	1
5	2	W0234	DC64-01602A	DOOR-DIAPHRAGM; HEBA-PJT,EPDM,T1.5,-,GRAY	SA	1
6	2	W0744	DC65-00021A	CLAMPER HOSE-JOINT; HEBA PJT,HSWR-SWRH,ID	SA	1
7	2	W0618	DC66-00531C	DAMPER-SHOCK; HEBA,STEEL+PP+RUBBER,80N,W2	SA	2
8	2		DC67-00628B	WEIGHT-BALANCE(L); SEINE,CONCRETE,NATURAL	SA	1
9	2		DC67-00629B	WEIGHT-BALANCE(R); SEINE,CONCRETE,T45,W24	SA	1
10	2	M0028	DC69-00824A	PACKING-THERMISTOR; GW-PJT,EPDM,-,-,W17,H	SA	1
11	2	W0503	DC96-01327B	ASSY WIRE HARNESS; P-FrontWM-55,HEBA,-,-,	SA	1
12	2	W0601	DC97-06080A	ASSY BOLT; SEW-3HR105,BOLT+WASHER	SA	1
13	2	W0601	DC97-14263A	ASSY BOLT; HEBA-PJT,MOTOR/BOLT(M8)+WASHER	SA	10
14	2	W0165	DC97-14373C	ASSY DRUM; HEBA,WF8704DPF,598*850,1400RPM	SC	1
14-1	3		6044-001172	RING-OG; ID28,OD30.5,T2.5,BLK,NBR	SA	1
14-2	3	G0049	DC60-40137A	BOLT-HEX; MARS-PJT,STAINLESS-ST5430,M8,P1	SA	3
14-3	3	W0748	DC66-00489B	DRUM-FRONT; HEBA PJT(8kg),STAINLESS-ST543	SNA	1
14-4	3		DC66-00501A	DRUM-WRAPPER; HEBA PJT/7.0kg,STAINLESS-ST	SNA	1
14-5	3	W0747	DC66-00492A	DRUM-BACK; HEBA PJT,STAINLESS-ST5430,ID48	SNA	1
14-6	3	W0619	DC66-00493A	DRUM-LIFTER; HEBA PJT,PP,TI42,GRAY,7/8KG	SA	3
14-7	3	W0164	DC97-14369A	ASSY FLANGE SHAFT; HEBA PJT,7KG/6206/6205	SNA	1
15	2	M0038	DC97-14618A	ASSY CLAMP DIAPHRAGM; WF8804DP,OD2.0/L124	SA	1
16	2	W0605	DC97-14637C	ASSY HOSE PRESSURE; combo	SA	1
16-1	3	M0005	DC61-70029C	SPRING-CLIP; SEW-HW125,HSWR,CD1.2,ID8.3,W	SA	1
16-2	3	W0743	DC63-10003C	SPONGE-HOSE AIR; SWF-P12,PU-FOAM,GRY	SA	1
16-3	3	W0625	DC67-00293A	HOSE-FILTER TUB; HEBA-PJT,EPDM,-,-,T2.5,-	SNA	1
16-4	3	W0725	DC67-00230E	HOSE-WATER; WD8704,TPE,ID4.5,GRY	SNA	1
16-6	3		DC67-00297A	HOSE-JOINT AIR; HEBA & Aegis-PJT,PP,L167.3,	SNA	1

No.	Lvl.	Loc.	Material Code	Description & Specification	SNA	Qty.
17	2	W0209	6602-001497	BELT-TIMING GEAR; RUBBER(GATES),T3.2,1270	SA	1
18	2	G0421	DC97-15993A	ASSY HOSE-CIRCULATION; SCOUT,WF0804Y8E,EP	SA	1
18-1	3	G0415	DC61-02646A	GUIDE-HOSE; WF0804Y8E,PP,T2.0,W9.8,L36.6,	SNA	2
18-2	3	G0051	DC62-00296A	SEAL-CONNECTOR; WF0804Y8E,EPDM,SCOUT-PJT	SA	1
18-3	3	W0615	DC65-00008A	CLAMPER HOSE; SEW-DR605,SK5,-,ID14.2/T0.9	SA	2
19	2	G0420	DC97-14827H	ASSY HEATER; SEPM,230V/ 2000W,NORMAL/ NTR	SNA	1
19-1	3	W0110	6031-001531	WASHER-PLAIN; SCP1,ID7,OD14,T1.2,ZPC2,ACE	SA	1
19-2	3	W0237	DC47-00033B	HEATER-WASH; HEBA,SUS316L,2000,8.69,230V,	SA	1
19-3	3	W0235	DC63-00889C	COVER-HEATER; HEBA,ABS+PC,T3.0,5V-A,NATUR	SA	1
20	2	W0088	DC66-00500A	PULLEY-MOTOR; HEBA PJT,ALDC,OD296.8,1400R	SA	1
21	2		DC67-00627B	WEIGHT-BALANCE(U); HEBA,SCOUT,GRIFFIN,CON	SA	1
22	2	W0501	DC97-15440A	ASSY TUB BACK; HEBA,WF8804,8.0kg,PP,-,-	SA	1
22-1	3	W0148	DC62-00008A	SEAL-OIL; NBR,BLACK,-,NBU	SA	1
22-2	3	W0740	DC69-01154A	PACKING-TUB; WF8804DP,EPDM,-,-,L1650	SA	1
22-3	3	G0029	DC97-15011E	ASSY SEMI TUB BACK; HEBA,WF8804,8.0kg,FRP	SNA	1
23	2	G0049	6011-001644	BOLT-HEX; M10,L35,ZPC2,SM10C,DAMPER	SA	2
24	2		DC60-00069A	SPACER; WR-HA139WA,STAINLESS-ST304,ID30.	SA	1
25	2	W0230	DC61-02664A	BRACKET-HEATER; HEBA,STAINLESS-ST304,T0.	SA	1

4. Assy Frame Front

Exploded View



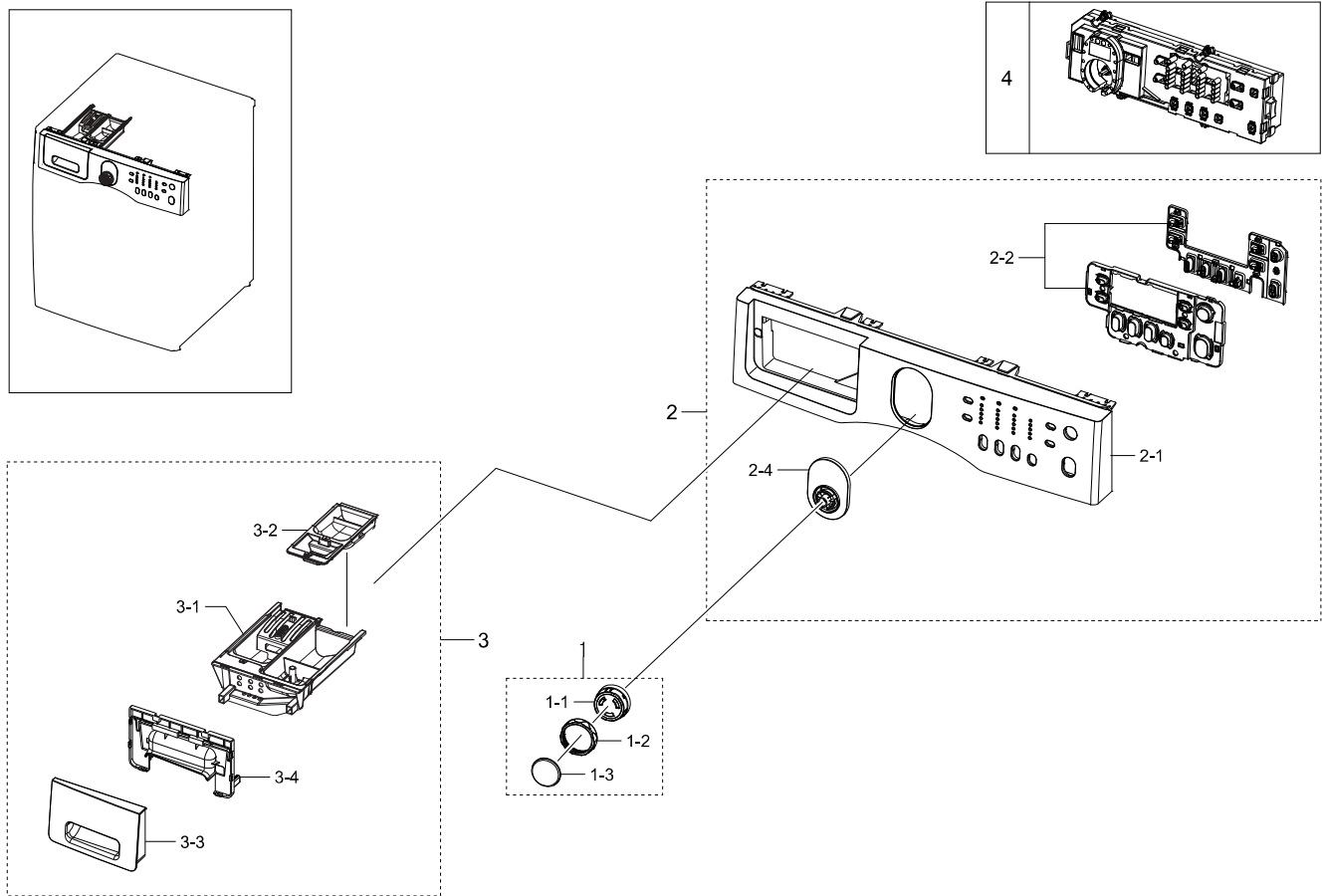
Parts List

No.	Lvl.	Loc.	Material Code	Description & Specification	SNA	Qty.
0	2	W0253	DC97-15006P	ASSY FRAME FRONT; VISTULA-SEPM,WF1704WPC2	SNA	1
2	3	W0228	DC61-01917A	GUIDE-FILTER; WF8804DP,HIPS,T2.5,W149.2,L	SA	1
3	3	W0226	DC61-01919A	BRACKET-HINGE; WF8804DP,GI-SGCC,T1.4,L161	SA	1
4	3	W0516	DC63-00854A	COVER-FILTER; WF8804DP,ABS,T2.0,W150.7,L1	SA	1
5	3	W0435	DC63-00967A	COVER-DOOR SWITCH; AEGIS-PJT/ WF8500NHW,P	SA	1
6	3	W0225	DC64-01538A	DOOR-LOCK S/W; ZV-446L5,PA,W95,L52,WHITE,	SA	1
7	3	W0459	DC97-15005J	ASSY DOOR; VISTULA-SEPM,WF1704WPC2,ABS,CH	SA	1
7-1	4	W0220	DC61-00891A	GUIDE-HINGE; HAUZEN(DOM),POM,-,-,-,WHT,HI	SA	4
7-2	4	W0448	DC64-01521A	DOOR-GLASS; WF8804DP,GLASS,T5.0,H120.5,NA	SA	1

No.	Lvl.	Loc.	Material Code	Description & Specification	SNA	Qty.
7-3	4	W0457	DC97-17030A	ASSY COVER DOOR; WF1804WPVH/XEO,ABS,T2.5,	SA	1
7-3-1	5	W0440	DC63-00856F	COVER-DOOR; WF1804WPVH/XEO,ABS,T2.5,OD480	SA	1
7-4	4	W0454	DC97-15375A	ASSY HOLDER GLASS; HEBA,ALL,PP,T3.0,480*4	SNA	1
7-4-1	5	G0426	6043-001093	PIN-PARALLEL(KEY); A,OD3,L40,PASS,STS204	SNA	1
7-4-2	5	G0427	DC61-01909A	HOLDER GLASS; WF8804DP,PP,T3.0,W479.5,L47	SA	1
7-4-3	5	W0142	DC61-02027A	SPRING ETC-LEVER; STAINLESS-STS304,CD1.2,	SA	1
7-4-4	5	W0173	DC63-00853D	COVER-HANDLE; HIPS,T2.5,W60,NOBLE GREY	SA	1
7-4-5	5	W0722	DC64-01524A	HANDLE DOOR; WF8804DP,ABS,T2.5,W43,L113,G	SA	1
7-4-6	5	W0474	DC66-00497A	LEVER-DOOR; WF8804DP,ZNDC,T10,W10,L46,NI	SC	1
7-5	4	W0219	DC61-01910A	HINGE-DOOR; WF8804DP,ALDC,T8,W45.5,L155,Z	SC	1
7-6	4	W0754	DC61-01915B	BRACKET-HOLDER; WF8804DP,GI-SGCC,T1.2,N/A	SA	1
8	3	W0727	DC97-16911A	ASSY FRAME FRONT(S); SCOUT,WF0804Y8E,EGI,	SA	1
8-1	4	G0429	DC61-01981A	BRACKET-FRAME; WF8804DP,GI-SGCC,T0.8,W20,	SA	1
8-2	4	W0249	DC61-01916A	FRAME-FRONT; WF8804DP,EGI-SECC,WHT,T0.8,W	SC	1
9	2	W0608	DC91-12078D	ASSY WIRE DIAPHRAGM; HEBA-PJT,-,-,-,-,-	SA	1

5. Panel Control&Drawer

Exploded View



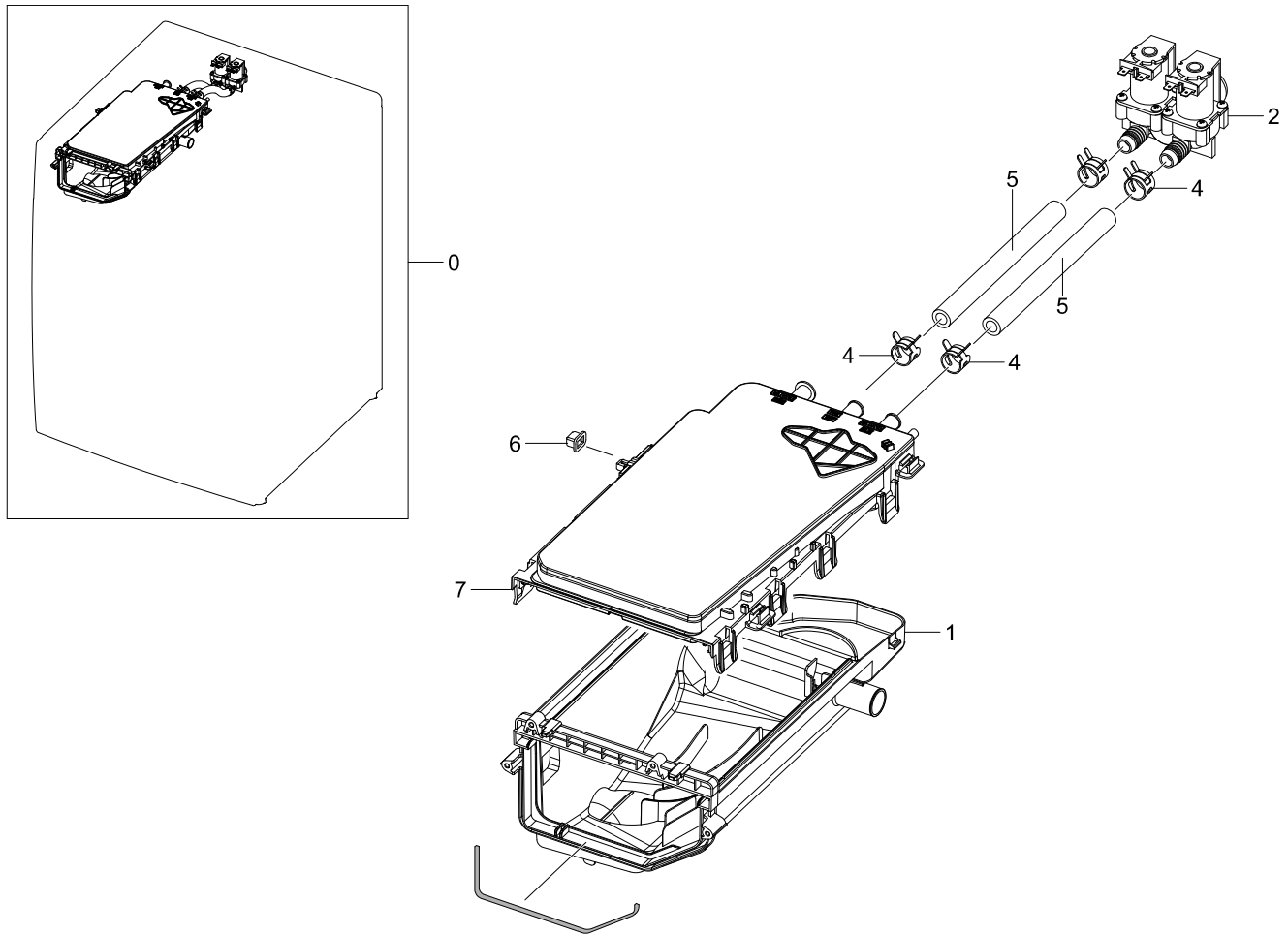
Parts List

No.	Lvl.	Loc.	Material Code	Description & Specification	SNA	Qty.
1	2	W0475	DC97-15723B	ASSY KNOB ENCODER; GRIFFIN-PJT,WF9904RWE,	SA	1
1-1	3	W0193	DC64-01927A	KNOB-ENCODER; WF9904RWE/XEU,ABS,T2.5,W49.	SC	1
1-2	3	W0456	DC64-01931A	DECORATION-ENCODER; GRIFFIN,MP0160,T2.2,W	SC	1
1-3	3	G0056	DC97-16503A	ASSY DECO ENCODER; GRIFFIN,WF9904RWE,43.6	SA	1
2	2	W0478	DC97-16901R	ASSY PANEL CONTROL; VISTULA,WF1704WSV2/XE	SA	1
2-1	3	W0181	DC64-01532A	PANEL-CONTROL; HEBA-PJT,ABS,T2.5,-,-,-,WH	SNA	1
2-2	3		DC90-09340A	ASSY-BUTTON-PUSH; HEBA,VISTULA	SNA	1
2-4	3	G0443	DC64-01533A	WINDOW-ENCODER; HEBA,ABS,T2.0,-,-,-,BLK,H	SNA	1
3	2	W0216	DC97-16021A	ASSY DRAWER; SCOUT,WF0804Y8E	SA	1

No.	Lvl.	Loc.	Material Code	Description & Specification	SNA	Qty.
3-1	3	W0156	DC61-02580A	BODY-DRAWER; WF0800NCE,PP,T2.0,L265.5,W15	SA	1
3-2	3	W0215	DC67-00452A	CAP-RINSE; WF0800NCE,PP,W66.4,L219.2,ECO	SA	1
3-3	3	W0112	DC64-02173A	PANEL-DRAWER; WF0804Y8E,ABS,T2.5,W183.4,L	SA	1
3-4	3	W0218	DC64-01527F	HANDLE-DRAWER; HEBA-PJT,HIPS,T2.0,WHT	SA	1
4	2	W0701	DC92-00917A	ASSY PCB MAIN UNION; 7kg 1200rpm,Vistula	SA	1

6. Assy Housing Drawer

Exploded View

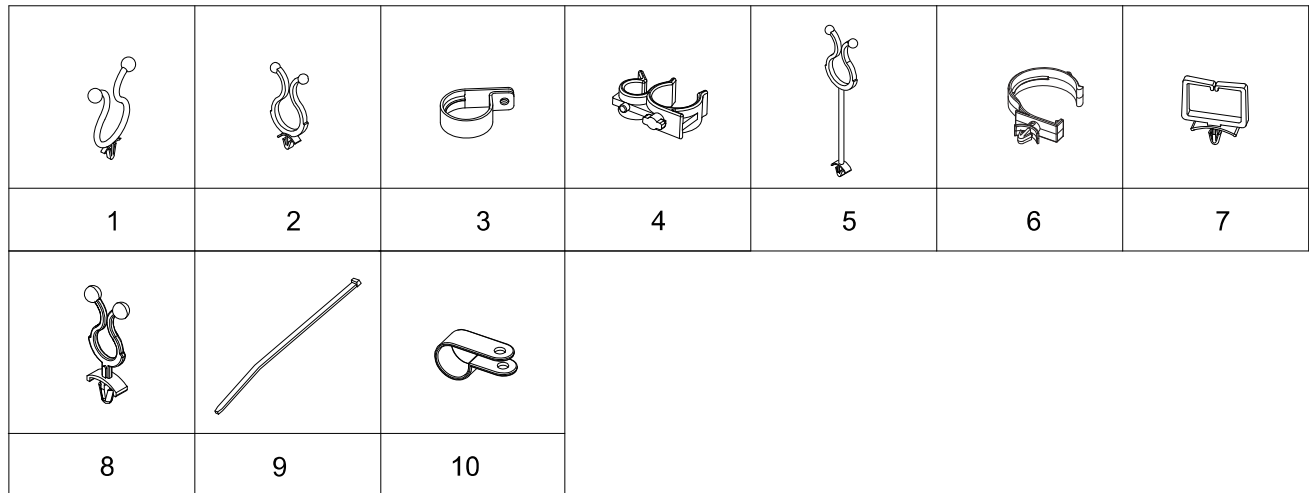


Parts List

No.	Lvl.	Loc.	Material Code	Description & Specification	SNA	Qty.
0	2	W0163	DC97-16005Q	ASSY HOUSING DRAWER; SCOUT,WF0804Y8E,COLD	SA	1
1	3	G0414	DC61-02434A	HOUSING-DRAWER L; HEBA-PJT,PP,T1.8,NTR	SA	1
2	3	W0078	DC62-00024M	VALVE WATER; 220-240,10,D-2	SC	1
4	3	W0615	DC65-00008A	CLAMPER HOSE; SEW-DR605,SK5,-,ID14.2/T0.9	SA	2
5	3	W0151	DC67-00051P	HOSE-DRAWER; SCOUT,EPDM,ID9.0,OD14.5,L210	SA	2
6	3		DC67-00327A	CAP-DRAWER HOOK; HEBA-PJT,EPDM,T1.1,W13.9	SA	1
7	3	W0497	DC97-16006A	ASSY S.HOUSING DRAWER; SCOUT,WF0804Y8E,PP	SA	1

7. Small Parts

Exploded View



Parts List

No.	Lvl.	Loc.	Material Code	Description & Specification	SNA	Qty.
1	3	A0740	6046-000310	STAND OFF; NTR,NYLON66,DAWH-3NA	SNA	2
2	2	W0623	DC61-40081A	HOLDER-WIRE; DAWH-2NC,PA,-,NATURAL,-	SA	3
3	2	W0616	DC61-00118A	CLAMPER HOSE-FIX; P1291,PA66,ID27,OD30	SA	1
4	2	W0616	DC61-00133A	CLAMPER HOSE-FIX; P1291,PP,-,HOSE+PLUG,BJ	SA	1
5	2	W0623	DC61-00995C	HOLDER-WIRE; HEBA-PJT,PA,ID26,W6,L145,NYL	SA	1
6	2	W0623	DC61-02879A	HOLDER-WIRE; WF8804CPA,PA,L58.6,NATURAL	SA	1
7	2	W0623	DC61-60074A	HOLDER-WIRE; PA,-,NATURAL,-,rectangle	SA	3
8	2		6502-000127	CABLE CLAMP; DAWH-18NB,ID15,-,NYLON66,NTR	SA	1
9	2		DC65-10001A	CABLE TIE; PVC	SNA	1
10	2		DC65-20010A	CABLE CLAMP; DA-9N-1,NYLON66,NTR	SNA	1