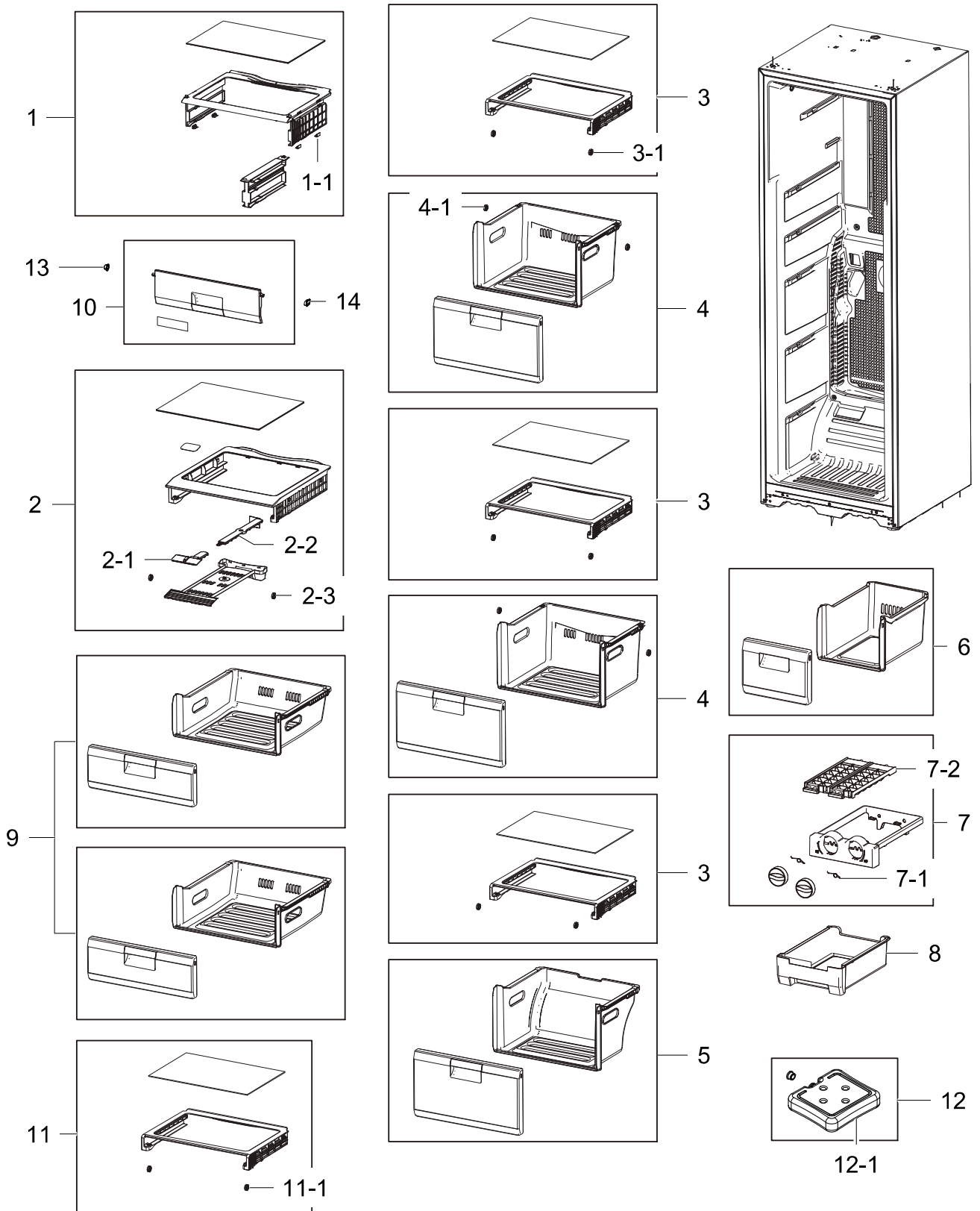


1. Freezer

Exploded View

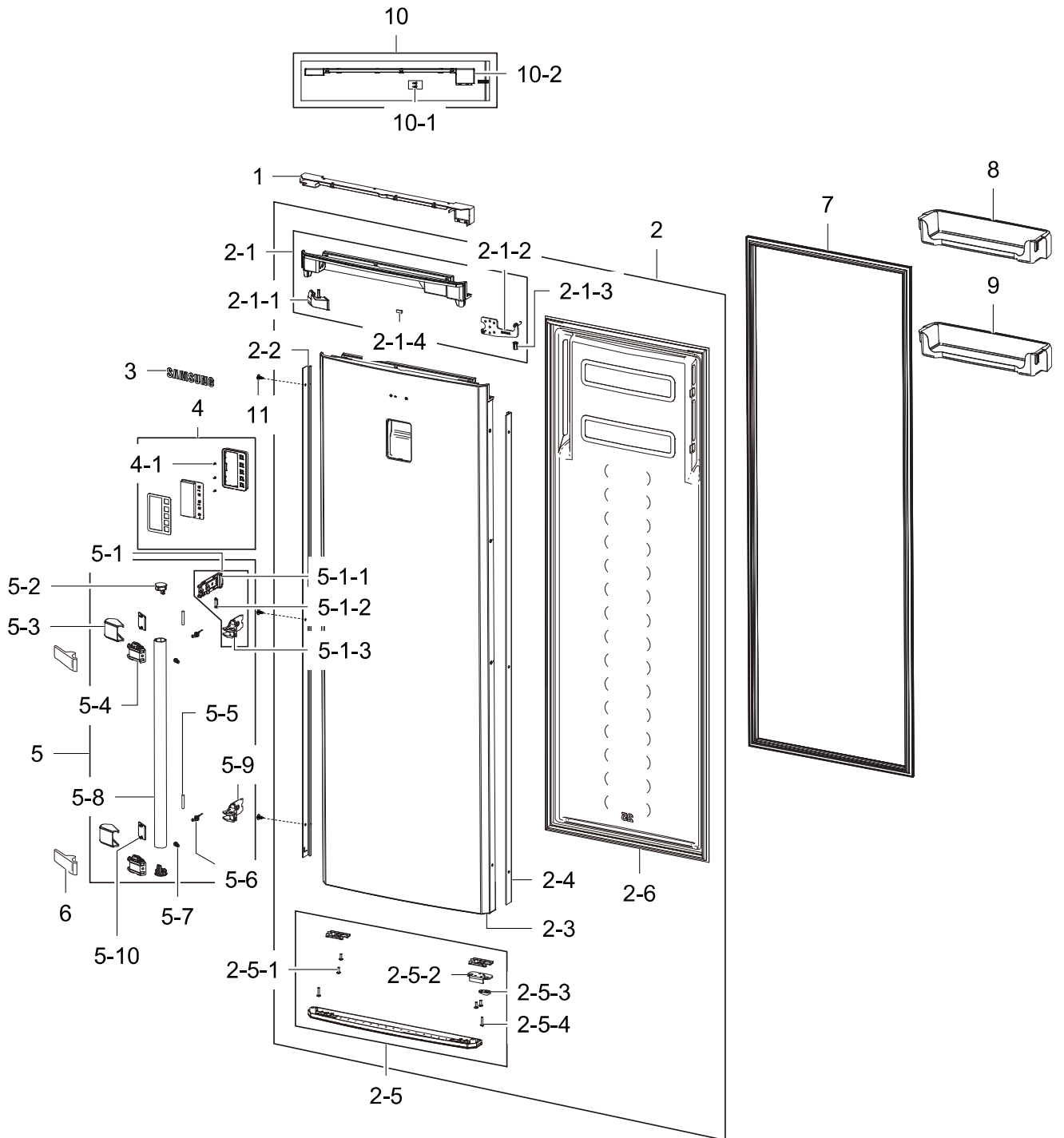


Parts List

No.	Lvl.	Loc.	Material Code	Description & Specification	SNA	Qty.
1	2	RF024	DA97-07451D	ASSY SHELF FRE-UPP; TWIN-PJT,HIPS	SC	1
1-1	3	RK891	DA64-03010A	TRIM-SHELF; TWIN-PJT,LDPE,WHITE	SA	4
2	2	RF213	DA97-07404N	ASSY COVER-QUICK FROST FRE; TWIN,HIPS	SA	1
2-1	3	RF214	DA64-02857C	KNOB-QUICK FROST A; TWIN,HIPS,COOL WHITE(SNA	1
2-2	3	RF215	DA64-02858C	KNOB-QUICK FROST B; TWIN,HIPS,NTR	SNA	1
2-3	3		DA66-00690A	ROLLER-SHELF; TWIN,POM,22,NTR	SA	6
3	2	RF022	DA97-07453E	ASSY SHELF FRE-LOW; TWIN-PJT,HIPS NTR	SC	3
3-1	3		DA66-00690A	ROLLER-SHELF; TWIN,POM,22,NTR	SA	6
4	2	RF009	DA97-07397A	ASSY CASE-BASKET MID; TWIN-PJT,-,-,-,-,NO	SA	2
4-1	3	RR351	DA66-10104C	ROLLER-FRE; GUGGENHEIM,POM,NATURAL	SA	4
5	2	RF001	DA97-07398A	ASSY CASE-BASKET LOW; TWIN-PJT,-,-,-,-,NO	SA	1
6	2	RF218	DA97-07401A	ASSY CASE-MINI BASKET; TWIN-PJT,-,-,-,-,N	SA	1
7	2	RZ003	DA97-07449A	ASSY TRAY ICE; TWIN-PJT,-,-,-,-,-	SA	1
7-1	3	RM009	DA61-20136A	SPRING ETC-ICE MAKER; SR-53EA,STS304,PI10	SA	2
7-2	3	RM088	DA63-02169A	TRAY ICE-(BASIC); ET-PJT,PP(BJ-500),Cool-	SA	2
8	2	RM096	DA63-04836A	TRAY ICE CUBE; TWIN-PJT,PP,-,-,-,-,WHITE,	SA	1
9	2	RF002	DA97-07396A	ASSY CASE-BASKET UPP; TWIN-PJT,-,-,-,-,NO	SA	2
10	2	RN724	DA97-07931A	ASSY COVER-FOLDER; TWIN-25	SA	1
11	2	RE064	DA97-07452E	ASSY SHELF FRE-MID; TWIN-PJT,HIPS NTR	SC	1
11-1	3		DA66-00690A	ROLLER-SHELF; TWIN,POM,22,NTR	SA	6
12	2	RI490	DA97-07954B	ASSY-ICE PACK KIT; TWIN-PJT,ICE PACK 1EA	SA	1
12-1	3	RI491	DA97-07467A	ASSY CASE-ICE PACK; TWIN-PJT,-,-,-,-,-	SA	1
13	3	RO280	DA61-05097A	FIXER-COVER FOLDER L; TWIN-PJT,ABS,COOL W	SA	1
14	3	RO281	DA61-05096A	FIXER-COVER FOLDER R; TWIN-PJT,ABS,COOL W	SA	1

2. Door

Exploded View



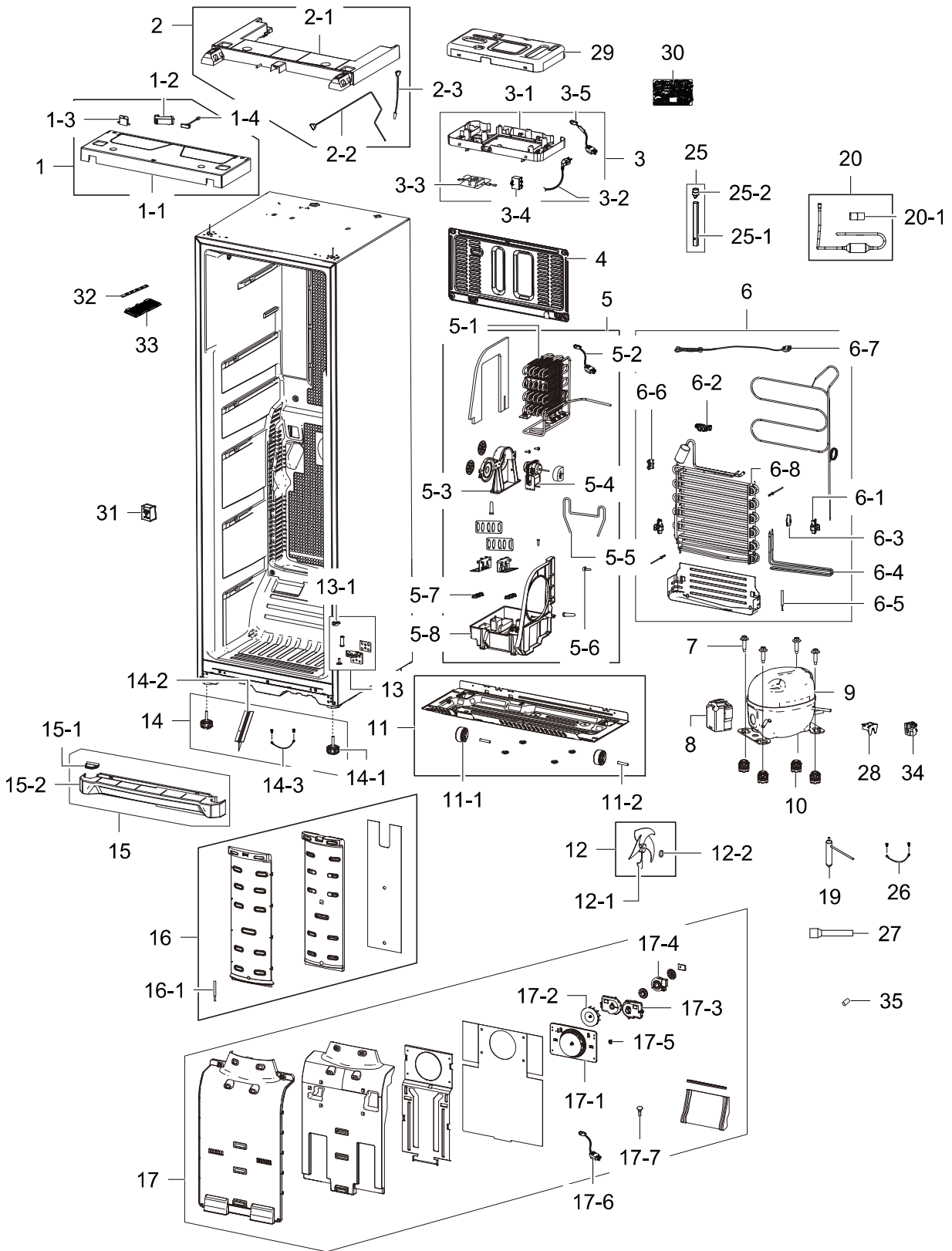
Parts List

No.	Lvl.	Loc.	Material Code	Description & Specification	SNA	Qty.
1	2	RO274	DA63-04851F	COVER-WIRE DOOR R; TWIN-PJT,ABS,TITAN GRA	SA	1
2	2	RD001	DA91-02855L	ASSY DOOR FOAM FRE-E; TWIN-25,TITANUM SIL	SA	1
2-1	4		DA97-07911F	ASSY CAP DOOR-UPP FRE; TWIN-PJT,EE,TITAN	SNA	1
2-1-1	5	RO454	DA63-04855F	COVER-WIRE HINGE L; TWIN,PP,TITAN GRAY,SC	SA	1
2-1-2	5	RO144	DA97-07910A	ASSY HINGE UPP-FRE; TWIN-PJT,FRE	SA	1
2-1-3	6	RR377	DA66-00073C	SHAFT-WASHER, C; RD-PVC,SR-32,35,-,-,-,T1	SA	1
2-1-4	5	RY479	DA61-03769A	MAGNET-A; HERMES,-,5x7x18,-,-,1200Gauss	SA	1
2-2	4		DA61-05353A	REINF-PLATE DOOR L; TWIN-35,25,SHP1,L1550	SNA	1
2-3	4		DA61-05079L	PLATE-DOOR E; TWIN-35,25,SECC1,T0.5,TITAT	SNA	1
2-4	4		DA61-05352A	REINF-PLATE DOOR R; TWIN-35,25,SHP1,L1550	SNA	1
2-5	4	RU147	DA97-07912F	ASSY CAP DOOR-LOW FRE; TWIN-PJT,EE,TITAN	SNA	1
2-5-1	5	RR227	6001-000715	SCREW-MACHINE; TH,+,-,M5,L16,ZPC(WHT),SWR	SA	4
2-5-2	5	RE043	DA61-00776A	STOPPER DOOR; ES-PJT,SPCC,T3.0	SA	1
2-5-3	5	RO105	DA66-00344A	CAM-HINGE RISER LOW; USP05(ATOP,ET),NY-66	SC	1
2-5-4	5	RR007	6001-001377	SCREW-MACHINE; TH,+,-,M5,L25,ZPC(WHT),SWR	SA	2
2-6	3		DA64-02844A	PANEL DOOR-FRE; TWIN-25,ABS,T1.2,W1629,L5	SNA	1
3	2	RO716	DA64-00990A	MASCOT; AL,80.2MM	SC	1
4	2	RD234	DA97-07415A	ASSY COVER-DISPLAY FRE; TWIN-PJT,-,-,-,-	SA	1
4-1	3	RR239	6002-000466	SCREW-TAPPING; PH,+2S,M3,L8,ZPC(WHT),MSW	SA	3
5	2	RD210	DA97-08023M	ASSY HANDLE-EASY; TWIN-PJT,PLATINUM SILVE	SA	1
5-1	3	RO262	DA97-07907D	ASSY HANDLE-SUB EASY; TWIN-PJT,TITAN GRAY	SA	1
5-1-1	4	RD215	DA61-05174D	SLIDER-HANDLE; TWIN-PJT,POM,TITAN GRAY(SC	SA	1
5-1-2	4	RO263	DA73-00238D	RUBBER-HANDLE; TWIN-PJT,SILICON,TITAN GRA	SA	1
5-1-3	4	RE473	DA61-05173D	SUPPORT-HANDLE A; TWIN-PJT,PA+ABS,SHP1,TI	SA	1
5-2	3	RK020	DA67-02024B	CAP-HANDLE SIDE; CORE,ABS,-,-,-,NTR,SILVE	SA	2

No.	Lvl.	Loc.	Material Code	Description & Specification	SNA	Qty.
5-3	3	RD212	DA63-04929E	COVER-SUPT HANDLE FRONT; TWIN-PJT,ABS,TIT	SA	2
5-4	3	RE476	DA61-05172D	SUPPORT-HANDLE B; TWIN-PJT,NY-66,TITAN GR	SA	2
5-5	3	RD211	DA66-00664A	SHAFT-HANDLE; TWIN-PJT,STS304,L25.6,EASY	SA	2
5-6	3	RD214	DA61-05177A	SPRING ETC-HANDLE; TWIN-PJT,PW1,6.6,5.4,7	SA	2
5-7	3	RR331	6009-001512	SCREW-SPECIAL; BH,+,-,M4,L16,ZPC(WHT),SWR	SA	2
5-8	3	RO391	DA64-03108A	HANDLE BAR; TWIN-PJT,AL,L422,NATURAL SILV	SA	1
5-9	3	RE473	DA61-05173D	SUPPORT-HANDLE A; TWIN-PJT,PA+ABS,SHPI,TI	SA	1
5-10	3	RO277	DA63-03196B	COVER-SUPT HANDLE REAR; CORE-PJT,HIPS,-,-	SA	2
6	2	RD213	DA63-04928E	COVER-SLIDER HANDLE; TWIN-PJT,ABS,TITAN G	SA	2
7	2	RO756	DA97-07366G	ASSY-GASKET DOOR; TWIN-PJT(R35,F25),-,W53	SA	1
8	2	RR165	DA63-04882A	GUARD FRE; TWIN-PJT,GPPS,NTR,168N	SA	1
9	2	RR165	DA63-04882C	GUARD FRE; TWIN-PJT,GPPS,T2.0,Transpercy	SA	1
10	2	RO278	DA97-08051F	ASSY COVER-WIRE DOOR L; TWIN-PJT,TITAN GR	SA	1
10-1	3	RR985	DA67-00859D	CAP-DOOR HANDLE; CORE,ABS,-,-,-,TITAN-GRA	SA	2
10-2	3	RO259	DA63-05137F	COVER-WIRE DOOR L; TWIN-PJT,ABS,TITAN GRA	SA	1
11	2	RR985	DA67-00859D	CAP-DOOR HANDLE; CORE,ABS,-,-,-,TITAN-GRA	SA	2

3. Cabinet

Exploded View



Parts List

No.	Lvl.	Loc.	Material Code	Description & Specification	SNA	Qty.
1	2	RO276	DA97-07921F	ASSY TOP-TABLE FRONT FRE; TWIN-PJT,TITAN	SA	1
1-1	3	RO265	DA64-02884F	TOP TABLE-FRONT; TWIN-PJT,ABS,TITAN GRAY,	SA	1
1-2	3	RO456	DA63-04849F	COVER-WIRE HINGE R; TWIN,PP,TITAN GRAY,SC	SA	1
1-3	3	RO184	DA67-02269F	CAP-TOP TABLE; TWIN,ABS,TITAN GRAY,SC-031	SA	1
1-4	3	RY459	DA34-00043C	SWITCH REED-ASS'Y; 200VDC,1.5A,-	SA	1
2	2	RO266	DA97-07641Z	ASSY TOP-TABLE REAR; TWIN,FRE,TITAN GRAY	SA	1
2-1	3	RO275	DA64-02883F	TOP TABLE-REAR; TWIN,ABS,TITAN GRAY,SC-03	SNA	1
2-2	3	RO200	DA96-00285G	ASSY W/HARNESS-CABI; TWIN CABI WIRE,FRE	SA	1
2-3	3	RR347	DA32-10109X	SENSOR TEMP; PX-41C,502AT-2,A-TOP,-,5V,-,	SC	1
3	2	RR438	DA97-07905A	ASSY CASE-PCB PANEL; TWIN-PJT,Freezer	SA	1
3-1	3	RO285	DA61-05059A	CASE PCB-PANEL; TWIN-PJT,N-PP,-,-,-,NTR,-	SA	1
3-2	3	RK076	DA39-10115D	CBF-POWER CORD; UCP-2,250V,10/16A,L2100,-	SA	1
3-3	3	RR027	DA27-00009G	COIL CHOKE-EMI FILTER; AW3-PJT,4mH,50*38,	SA	1
3-4	3	RS734	2301-001848	C-FILM,LEAD; 5uF,-25to+80,450V,+10~-5,37x	SA	1
3-5	3	RO765	DA96-00403A	ASSY W/HARNESS-FUSE; KOR MODEL,220~240VAC	SA	1
4	2	RH001	DA97-07461C	ASSY COVER COMP; TWIN-PJT,ASSY	SA	1
5	2	RH003	DA97-07418H	ASSY TRAY-DRAIN WATER; TWIN-PJT	SA	1
5-1	3	RW005	DA97-07417A	ASSY PIPE-SUB COND; TWIN-PJT,-	SA	1
5-2	3	RY713	DA39-00060F	WIRE HARNESS-MOTOR; -,-,-,-,-,C-FAN(BLD	SA	1
5-3	3		DA61-03653B	BRACKET-MOTOR; TD-PJT,PP,NTR,PP SCRAP	SA	1
5-4	3	RR088	DA31-00146B	MOTOR BLDC; DRCP5030LA,1550,DC12V,230mA,-	SC	1
5-5	3	RH067	DA61-05424A	FIXER-PIPE TUBE; TWIN-PJT,AL	SA	1
5-6	3	RR066	DA63-40167A	GROMMET-COVER CHIL; SILICON,L16,WHITE	SA	1
5-7	3	RH022	DA63-40128A	GROMMET-SUB COND; -,NBR,-,-,-,-,-,DARK-	SA	2
5-8	3	RH885	DA63-04832B	TRAY DRAIN-WATER; TWIN-PJT,PP SCRAP,Non C	SA	1
6	2	RF011	DA96-00568E	ASSY EVAP FRE; TWIN-PJT,FRE,230V	SA	1
6-1	3	RK198	DA61-04921A	FIXER-HEATER FRE; HERMES-PJT,PP,T2.5,NTR,	SA	2
6-2	3	RG124	DA61-02901A	FIXER-SENSOR EVAP; CORE-PJT,PP,-,NTR,-	SA	1
6-3	3	RU391	DA61-06809A	FIXER-HEATER; TWIN-PJT,PP,NTR	SA	1

Exploded Views and Parts List

No.	Lvl.	Loc.	Material Code	Description & Specification	SNA	Qty.
6-4	3	RF146	DA47-00300A	HEATER SHEATH-FRE; -,TWIN FRE,-,200W,-,23	SA	1
6-5	3	RF465	DA32-00006D	SENSOR TEMP-F DEF SENSOR; PX-41C,502AT-2,	SA	1
6-6	3	RF217	DA61-05160A	FIXER-FUSE; CULLI_09,PP,NATURAL,BJ750	SA	1
6-7	3	RR342	DA47-00301F	THERMO FUSE-ASSY; TWIN,250V,10A,109~110	SA	1
6-8	3	RF326	DA59-00389A	EVAP FRE; TWIN-PJT	SA	1
7	2	RR965	DA60-20008A	BOLT-HEX; SWCH45K,WHITE,ZPC	SA	4
8	2	RH015	DA63-01866A	COVER RELAY; NORYL,T2.0,SSEC,BLACK,HOOK	SA	1
9	2	RH002	MSS4A2QR1U/E02	COMPRESSOR,220-240V~50HZ,RSCR,STATIC; COMPRESSOR,220-240V~50HZ,RSCR,STATIC		1
10	2	RH732	DA63-02017A	GROMMET COMP; QUEEN,EPDM,BLACK	SA	4
11	2	RO002	DA97-07465A	ASSY CHASSIS-COMP; TWIN-PJT,SBHG1,T1.0,-,	SA	1
11-1	3	RR242	DA61-40126B	CASTER-REAR; REF-ALL,PP,NATURAL	SC	2
11-2	3	RH064	DA60-90146A	PIN-CASTER; SR-289-429,MSWR10,OD6.0,L38,Z	SA	2
12	2	RI085	DA31-00010B	FAN-ASSY; -,P,S-P/J,ASSY,-,UNIT,120	SA	1
12-1	3	RG064	DA31-20102C	FAN SIROCCO; -,P,S-P/J,ABS,-,UNIT,120,HR0	SA	1
12-2	3	RR053	DA61-20128A	SPRING ETC-FAN; STS304,PI8.8,ID7.8,OD9.8,	SA	1
13	2	RO037	DA97-07909A	ASSY HINGE LOW-L; TWIN-PJT,LEFT	SA	1
13-1	3	RR981	DA66-00401A	CAM-RISER; SAPPHIRE-PJT,NY-66,BLACK,2110R	SA	1
14	2	RU423	DA97-07466C	ASSY CABINET-BOTTOM; TWIN-PJT,ASSY	SNA	1
14-1	3	RO100	DA61-00805F	FOOT-FRONT; REF-ALL,PP+MSWR10,BLACK,PP_S	SA	2
14-2	3	RM102	DA64-02833A	TRIM-BLADE; TWIN-PJT,PVC,-,-,-,WHITE,HD P	SA	1
14-3	3	RK925	DA39-00429A	WIRE HARNESS-EARTH; YellowGreen,ST710489-	SC	1
15	2	RO003	DA97-07919F	ASSY COVER LEG FRONT; TWIN-PJT,PP,TITAN G	SA	1
15-1	3	RO261	DA67-02216F	CAP-HINGE LOW; TWIN-PJT,PP,TITAN GRAY(SC-	SA	1
15-2	3	RO287	DA63-04830F	COVER LEG-FRONT; TWIN-PJT,PP,TITAN GRAY(S	SA	1
16	2	RF439	DA97-07394D	ASSY COVER MULTI-FRE; TWIN_25,PP,NPE	SA	1
16-1	3	RF089	DA32-00006L	SENSOR TEMP-DEF SENSOR; PX41C,TD-PJT,TGV2	SC	1
17	2	RF005	DA97-07386C	ASSY COVER EVAP-FRE; TWIN-PJT,220V~240V,P	SA	1
17-1	3	RF414	DA61-05013B	SUPPORT-MOTOR FRE; TWIN,HIPS,NTR,HIPS_S	SA	1
17-2	3	RG062	DA31-00233A	FAN; TWIN-PJT,ABS,HG-0760H, Cream white	SA	1

No.	Lvl.	Loc.	Material Code	Description & Specification	SNA	Qty.
17-3	3	RF455	DA63-01809B	COVER MOTOR-BLDC; AT,PP,NTR,CNTK-P-100,PP	SA	1
17-4	3	RF431	DA31-00146E	MOTOR FAN-BLDC; DREP5020LB,0.267,3.2,2520	SA	1
17-5	3	RR053	DA61-20128A	SPRING ETC-FAN; STS304,PI8.8,ID7.8,OD9.8,	SA	1
17-6	3	RY710	DA39-00060A	WIRE HARNESS-MOTOR; 35151-0410,HM9410001,	SA	1
17-7	3	RR066	DA63-40167A	GROMMET-COVER CHIL; SILICON,L16,WHITE	SA	1
19	2	RC050	DA62-02614E	DRYER-SINGLE; HAEMIL_10,C1220T,OD18.7,L10	SA	1
20	2	RT094	DA97-07673A	ASSY PIPE CONNECT-SUCTION; TWIN-PJT	SA	1
20-1	3	RX042	DA63-40171D	GROMMET-SUCT PIPE B; RAIL L20,NR,ID5.5,OD	SA	2
25	2	RR859	DA97-06589A	ASSY TUBE-DRAIN; MT-PJT,SOFT-PVC,NBR(BLAC	SA	1
25-1	3	RK899	DA62-01265A	TUBE-PVC; W2-PJT,SF-PVC,T0.7,OD20.2,L206,	SA	1
25-2	3	RO162	DA63-00951C	GROMMET-DRAIN HOSE; V2-PJT,NBR,BLACK	SA	1
26	2	RK934	DA39-20389L	WIRE HARNESS-EARTH; 1,YELLOW/GREEN,ST 710	SC	1
27	2	RH026	DA73-10190U	PIPE-CONNECT DISC,B; TD-PJT,C1220-T,OD6.3	SA	1
28	2	RO354	DA34-10003A	RELAY PROTECTOR O/L; 4TM222PHBY-53,ST 6.	SA	1
29	2	RO286	DA63-04829A	COVER PCB-PANEL; TWIN-PJT,SBHG1,T0.6	SA	1
30	1	RY475	DA41-00628A	ASSY PCB MAIN; TWIN-PJT,ASSY CYCLE,FR-1,1	SA	1
31	2	RI222	DA63-02902B	COVER-FIXER HOUSING V; NEXT-PJT,GALVA,T0.	SA	1
32	2	RK387	DA41-00519B	PBA-LED LAMP; GUGGENHEIM-PJT,CEM-1,100*20	SA	1
33	2	RY725	DA63-03623D	COVER-LAMP; TWIN,PC,T2.0,W35,L152,TRANSPA	SA	1
34	2	RH028	DA35-00103D	RELAY-PTC THERMISOR; PHTM330MD3,33ohm 38	SA	1
35	2	RX042	DA63-40171D	GROMMET-SUCT PIPE B; RAIL L20,NR,ID5.5,OD	SA	1