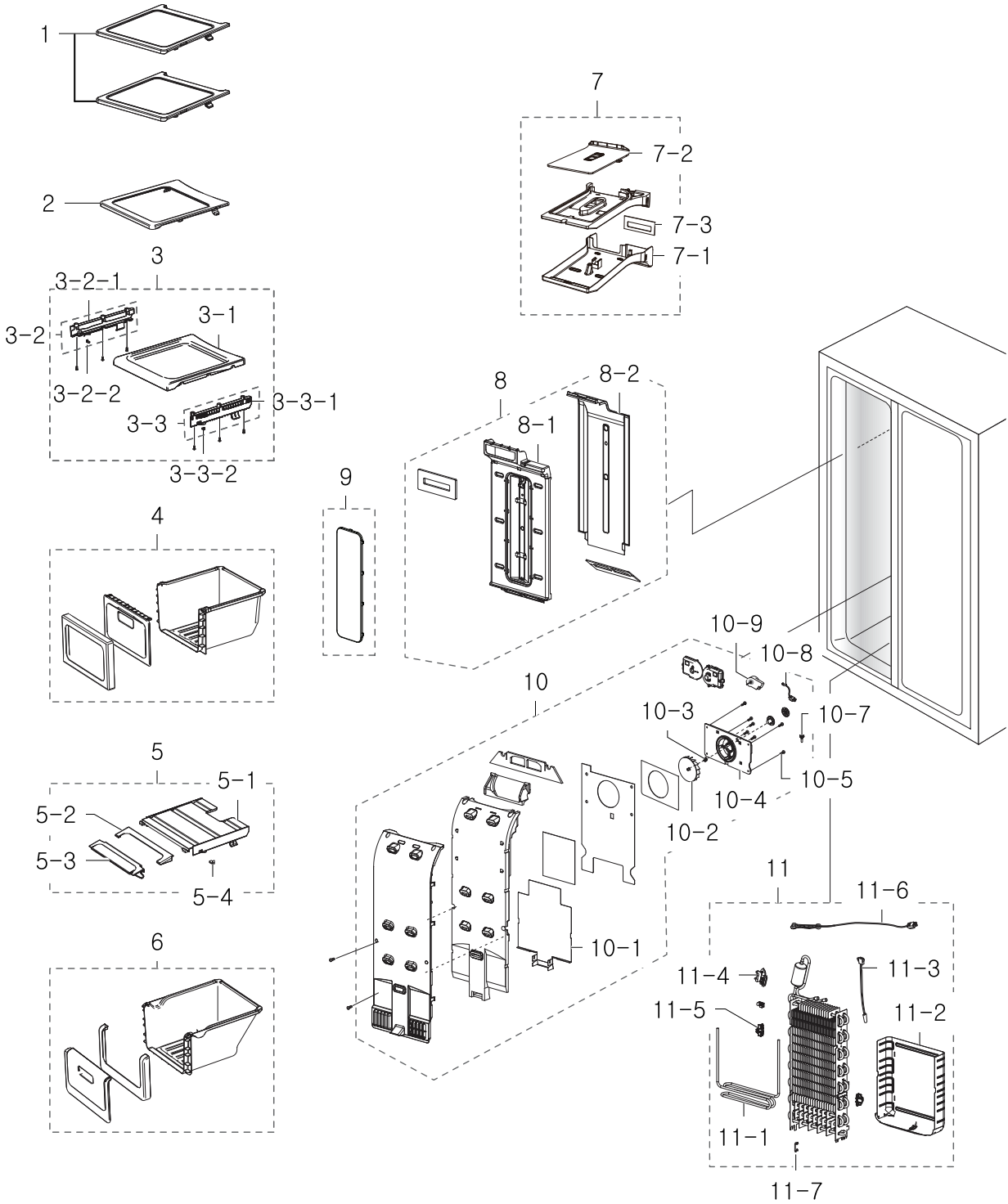


# 1. Freezer

## Exploded View



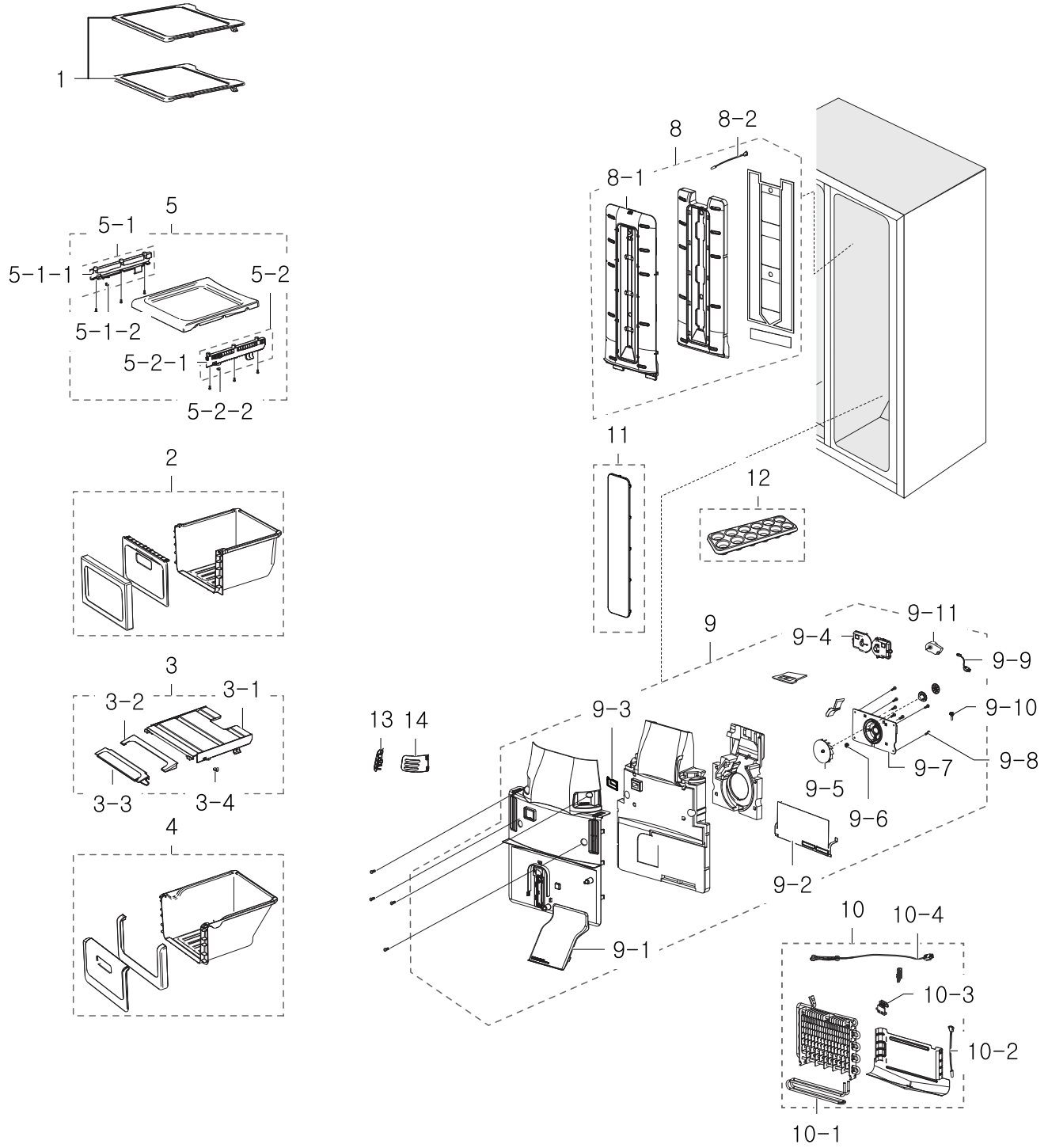
**Parts List**

No.	Lvl.	Loc.	Material Code	Description & Specification	SNA	Qty.
1	2	M0312	DA97-12765A	ASSY SHELF FRE-TOP; HM10-SEPM	SA	2
2	2	M0311	DA97-12770A	ASSY SHELF FRE-MID; HM10-SEPM	SA	1
3	2	G0567	DA97-06927A	ASSY-SHELF FRE LOW; HERMES-PJT,-,-,-	SA	1
3-1	3	G0590	DA67-02110A	SHELF-FRE LOW; HERMES-PJT,HIPS,-,-,-,COOL	SA	1
3-2	3	G0565	DA97-05233B	ASSY RAIL-BOX L; HERMES-PJT,T2.0,W17,L260	SA	1
3-2-1	4		DA61-03413B	RAIL-BOX L; HERMES-PJT,TALC PP,-,-,-,NATU	SNA	1
3-2-2	4	G0587	DA63-00202C	GROMMET-RAIL; TD-PJT,NY-66,W10.7,L15,COOL	SA	1
3-3	3	G0566	DA97-05234B	ASSY RAIL-BOX R; HERMES-PJT,T2.0,W17,L260	SA	1
3-3-1	4		DA61-03412B	RAIL-BOX R; HERMES-PJT,TALC PP,-,-,-,NATU	SNA	1
3-3-2	4	G0587	DA63-00202C	GROMMET-RAIL; TD-PJT,NY-66,W10.7,L15,COOL	SA	1
4	2	Z1189	DA97-12744A	ASSY CASE-BASKET HIGH; HM10-SEPM	SA	1
5	2		DA97-12746A	ASSY COVER-SLIDE BASKET; HM10-SEPM	SNA	1
5-1	3	G0408	DA63-07054A	COVER-BASKET LOW; HM10-SEPM,ABS,TRP,UT-05	SA	1
5-2	4	G0535	DA63-03570A	COVER-SLIDE BASKET A; HERMES,HIPS,-,-,-,-	SA	1
5-3	4		DA63-03571A	COVER-SLIDE BASKET B; HERMES,ABS,-,-,-,-,	SNA	1
5-4	3	G0587	DA63-00202C	GROMMET-RAIL; TD-PJT,NY-66,W10.7,L15,COOL	SA	2
6	2	A0496	DA97-12741A	ASSY CASE-BASKET LOW; HM10-SEPM	SA	1
7	2	G0579	DA97-12763A	ASSY COVER-ICE DUCT FRE; HM10-SEPM,PP,IN_	SA	1
7-1	3		DA63-07031A	COVER-ICE DUCT FRE; HM10-SEPM,PP,COOL-WHI	SNA	1
7-2	3		DA61-08397A	PLATE-ICE DUCT FRE; HM10-SEPM,PP,NTR,BJ-7	SNA	1
7-3	3	A1018	DA32-10105U	SENSOR TEMP; 502AT,A-TOP,-50~50,5V,-,-,RO	SA	1
8	2	G0578	DA97-12761A	ASSY COVER-MULTI FRE; HM10-SEPM,LED,IN_DO	SA	1
8-1	3		DA63-07043A	COVER-MULT FRE; HM10,PP,SC-02740R	SNA	1
8-2	3		DA61-08398A	PLATE-INS MULT FRE; HM10-SEPM,PP,NTR,BJ-7	SNA	1
9	2	M0152	DA63-07035A	COVER-LAMP FRE; HM10,PP,NTR	SA	1
10	2	M0303	DA97-12791A	ASSY COVER EVAP-FRE; HM10-SEPM	SA	1
10-1	3		DA61-08423A	PLATE-EVAP HEATER FRE; HM10-SEPM,GL-SAZCC	SNA	1
10-2	3	M0160	DA31-00318A	FAN-BACKWARD; HM10-SEPM,ABS,NTR,FRE	SA	1
10-3	3	A0768	DA61-20128A	SPRING ETC-FAN; STS304,PI8.8,ID7.8,OD9.8,	SNA	1

No.	Lvl.	Loc.	Material Code	Description & Specification	SNA	Qty.
10-4	3	G0517	DA61-00417A	CASE MOTOR; A-TOP,ABS SCRAP,-,-,-,WHT,SBS	SA	1
10-5	3	G0412	6002-001204	SCREW-TAPPING; TH,+,-,1,M4,L16,PASS,STS43	SA	4
10-7	4	M2002	DA63-40167A	GROMMET-COVER CHIL; SILICON,L16,WHITE	SA	1
10-8	4	M0298	DA39-00060B	WIRE HARNESS-MOTOR; -,-,-,-,-,F-FAN,-,-	SNA	1
10-9	4	M0198	DA31-00146E	MOTOR FAN-BLDC; DREP5020LB,BLDC Motor,0.2	SA	1
11	2	A0163	DA96-00675N	ASSY EVAP-FRE; HERMES,FIN PIPE,A1070S-H14	SA	1
11-1	3	G0515	DA47-00320L	HEATER-SHEATH-METAL FRE; HM10,INCOLOY840,	SA	1
11-2	3		DA61-05989B	PLATE-DRAIN EVAP FRE; HERMES,GL-SAZCC,T0.	SNA	1
11-3	3	A1018	DA32-00029N	SENSOR TEMP; DTN-C502G6X,NEXT-PJT,40~110	SA	1
11-4	3	T0066	DA61-00603A	FIXER-SENSOR; n-PJT,PP,-,-,-	SNA	1
11-5	3	A0744	DA61-05160A	FIXER-FUSE; CULLI_09,PP,BJ-730,NTR,-	SNA	1
11-6	3	A1008	DA47-00301F	THERMO FUSE-ASSY; TWIN,120V/250V,15A/10A,	SA	1
11-7	3	M0475	DA61-06013A	FIXER-WIRE; AW3-PJT,PP,NTR	SNA	2

# 2. Fridge

## Exploded View



## Parts List

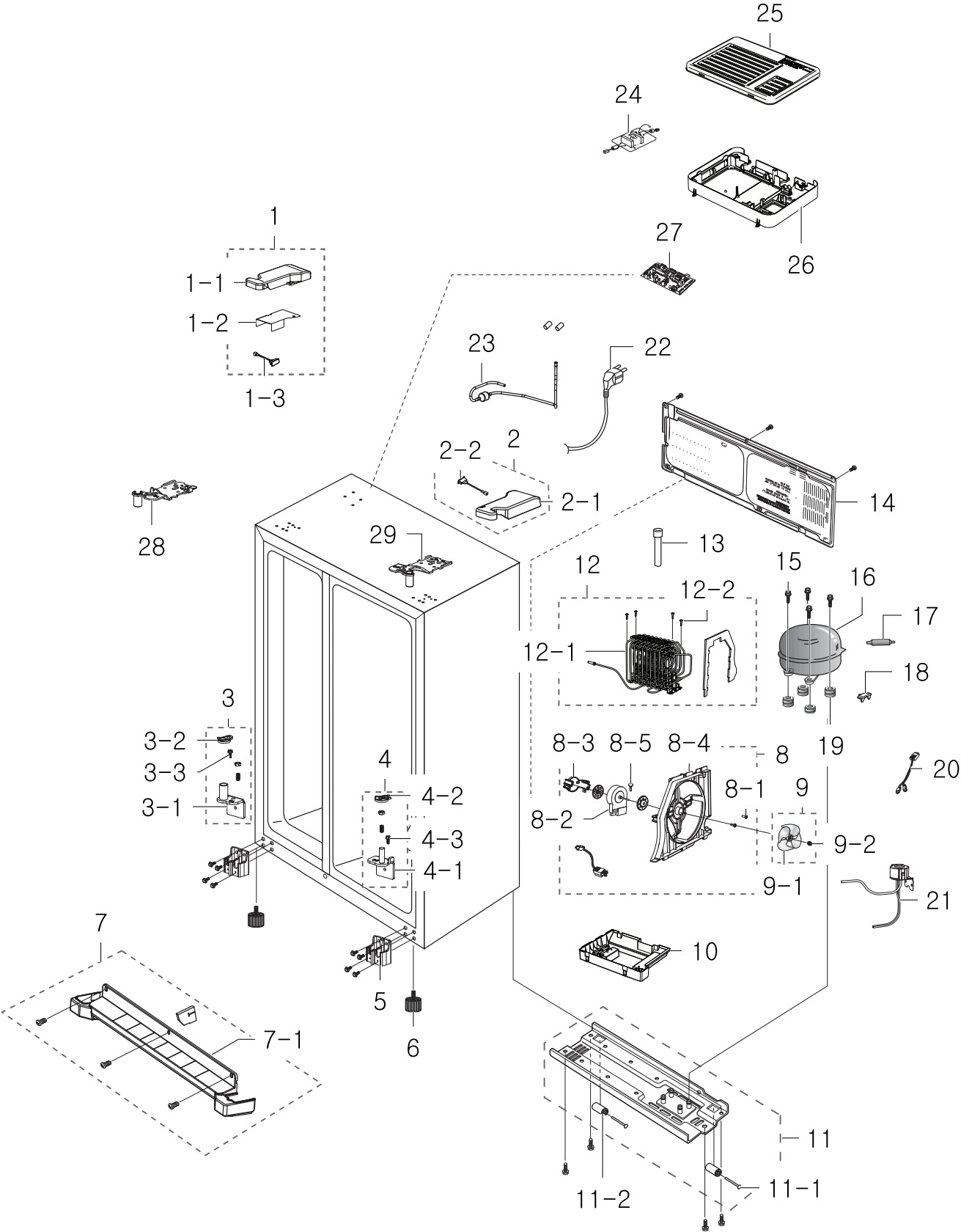
No.	Lvl.	Loc.	Material Code	Description & Specification	SNA	Qty.
1	2	G0561	DA67-03390A	SHELF REF-TOP; HM10-SEPM,PP,COOL WHITE (S	SA	2
2	2	A0205	DA97-12739A	ASSY CASE VEG-HIGH; HM10-SEPM	SA	1
3	2		DA97-12745A	ASSY COVER-SLIDE VEG; HM10-SEPM	SNA	1
3-1	3	G0544	DA63-07017A	COVER-VEG LOW; HM10-SEPM,ABS,TRP,UT-0510	SA	1
3-2	4	G0533	DA63-03567A	COVER-SLIDE VEG A; HERMES,HIPS,-,-,-,-,-	SA	1
3-3	4	G0534	DA63-03568A	COVER-SLIDE VEG B; HERMES,ABS,-,-,-,-,-,T	SA	1
3-4	3	G0587	DA63-00202C	GROMMET-RAIL; TD-PJT,NY-66,W10.7,L15,COOL	SA	2
4	2	M0300	DA97-12743A	ASSY CASE VEG-LOW; HM10-SEPM	SA	1
5	2	G0567	DA97-06927A	ASSY-SHELF FRE LOW; HERMES-PJT,-,-,-	SA	1
5-1	3	G0565	DA97-05233B	ASSY RAIL-BOX L; HERMES-PJT,T2.0,W17,L260	SA	1
5-1-1	4		DA61-03413B	RAIL-BOX L; HERMES-PJT,TALC PP,-,-,-,NATU	SNA	1
5-1-2	4	G0587	DA63-00202C	GROMMET-RAIL; TD-PJT,NY-66,W10.7,L15,COOL	SA	1
5-2	3	G0566	DA97-05234B	ASSY RAIL-BOX R; HERMES-PJT,T2.0,W17,L260	SA	1
5-2-1	4		DA61-03412B	RAIL-BOX R; HERMES-PJT,TALC PP,-,-,-,NATU	SNA	1
5-2-2	4	G0587	DA63-00202C	GROMMET-RAIL; TD-PJT,NY-66,W10.7,L15,COOL	SA	1
8	2	M0059	DA97-12762A	ASSY COVER-MULTI REF; HM10,PP,IN_DOOR,LED	SA	1
8-1	3		DA63-07038A	COVER-MULT REF; HM10,PP,SC-02740R	SNA	1
8-2	3	G0563	DA96-00424F	ASSY W/HARNESS-LED LAMP; NEXT08,W/H LED L	SA	1
9	2	Z1177	DA97-12816A	ASSY COVER EVAP-REF; HM10-SEPM,BASIC,230V	SA	1
9-1	3		DA63-07008A	COVER EVAP-REF; HM10,PP,COOL WHT,BJ750,CO	SNA	1
9-2	3		DA61-08406A	PLATE-EVAP HEATER REF; HERMES,AL,T0.3	SNA	1
9-3	3		DA67-03403A	CAP-COVER EVAP REF; HM10-SEPM,PP,BJ-750,C	SNA	1
9-4	4	M0449	DA63-01809B	COVER MOTOR-BLDC; AT,PP,NTR,CNTK-P-100,PP	SA	1
9-5	3	M0160	DA31-00319A	FAN-BACKWARD; HM10-SEPM,ABS,WHT,2.0mmAq/0	SA	1
9-6	3	A0768	DA61-20128A	SPRING ETC-FAN; STS304,PI8.8,ID7.8,OD9.8,	SNA	1
9-7	3	M0144	DA61-08400A	CASE-MOTOR REF; HM10-SEPM,HIPS,NTR,HG-176	SA	1
9-8	3	G0412	6002-001204	SCREW-TAPPING; TH,+,-,1,M4,L16,PASS,STS43	SA	4
9-9	4	M0298	DA39-00060B	WIRE HARNESS-MOTOR; -,-,-,-,-,-,F-FAN,-,-	SNA	1

## Exploded Views and Parts List

No.	Lvl.	Loc.	Material Code	Description & Specification	SNA	Qty.
9-10	4	M2002	DA63-40167A	GROMMET-COVER CHIL; SILICON,L16,WHITE	SA	1
9-11	4	M0198	DA31-00146E	MOTOR FAN-BLDC; DREP5020LB,BLDC Motor,0.2	SA	1
10	2	A0184	DA96-00676K	ASSY EVAP-REF; HERMES,FIN PIPE,A1070S-H14	SA	1
10-1	3	G0516	DA47-00321L	HEATER-SHEATH-METAL; HM10-PJT,NCOLOY840,1	SA	1
10-2	3	A1018	DA32-00029N	SENSOR TEMP; DTN-C502G6X,NEXT-PJT,40~110	SA	1
10-3	3	T0066	DA61-00603A	FIXER-SENSOR; n-PJT,PP,-,-,-	SNA	1
10-4	3	A1008	DA47-00301B	THERMO FUSE-ASSY; HERMES,120V/250V,15A/10	SA	1
11	2	A0710	DA63-07034A	COVER-LAMP REF; HM10-SEPM,PP,NTR	SA	1
12	2	Z1106	DA63-07014A	TRAY-EGG; HM10,GPPS,TRANSPARENCY	SA	1
13	2	G0536	DA63-03605A	COVER-DEODORIZER L; HERMES,PP,-,-,-,-,-,C	SA	1
14	3	G0537	DA63-03606A	COVER-DEODORIZER R; HERMES,PP,-,-,-,-,-,C	SA	1

# 3. Cabinet/Unit

## Exploded View



**Parts List**

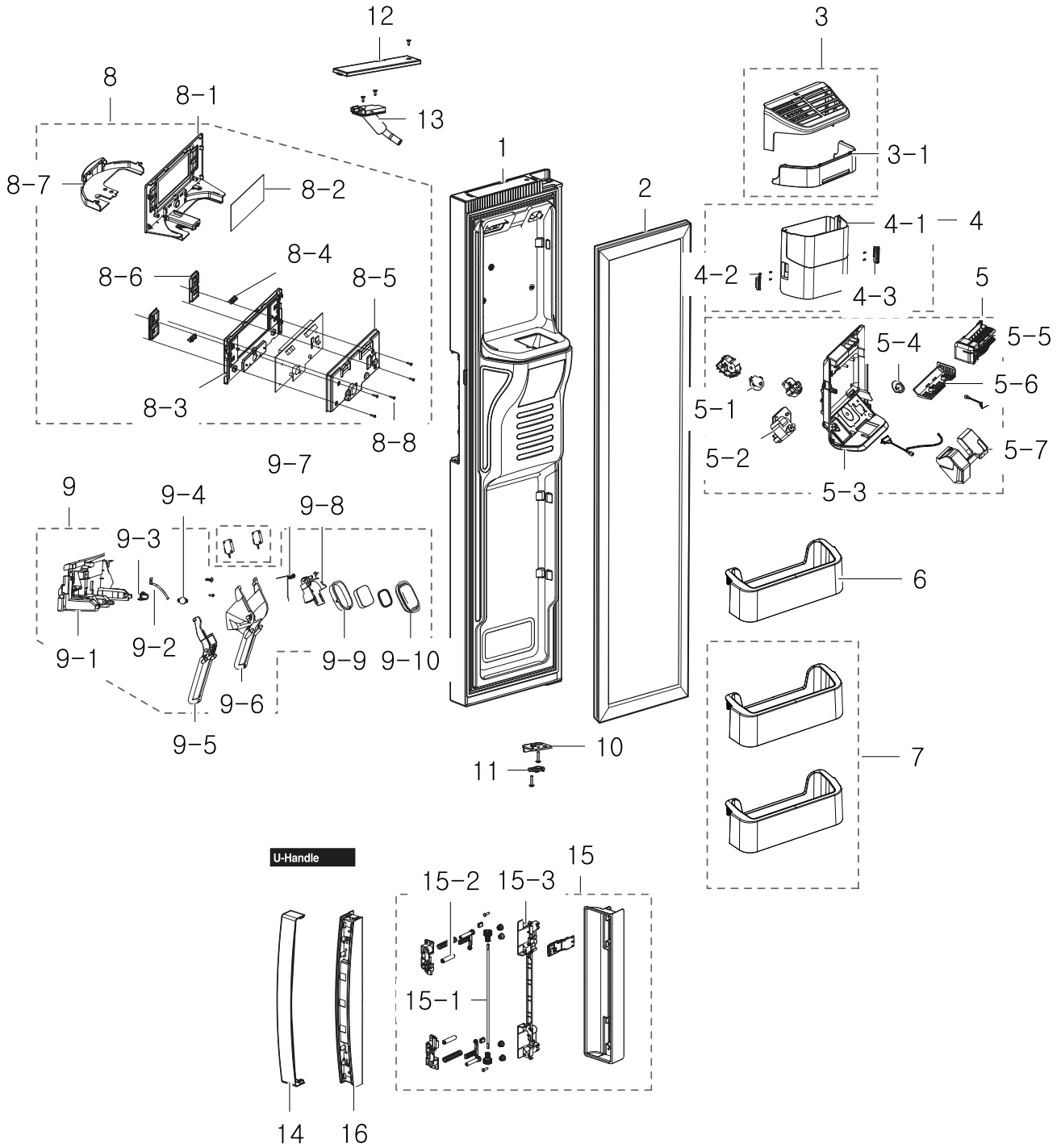
No.	Lvl.	Loc.	Material Code	Description & Specification	SNA	Qty.
1	2	A0241	DA97-12758B	ASSY COVER HINGE-UPP L; HM10-SEPM,T2.5,W1	SA	1
1-1	3	A0913	DA63-07032B	COVER-HINGE UPP L; HM10-SEPM,ABS,T2.5,156	SA	1
1-2	3	M0289	DA61-08395A	PLATE-COVER HINGE; HM10-SEPM,GI-SGCC,T0.4	SA	1
1-3	3	G0068	DA34-00043C	SWITCH REED-ASS'Y; 200VDC,1.5A,-	SA	1
2	2	A0243	DA97-12768E	ASSY COVER HINGE-UPP R; HM10-SEPM,ABS,T2.	SA	1
2-1	3	A0244	DA63-07022B	COVER HINGE-UPP R; HM10-SEPM,ABS,T2.5,I-B	SA	1
2-2	3	G0068	DA34-00043C	SWITCH REED-ASS'Y; 200VDC,1.5A,-	SA	1
3	2	M0245	DA97-06158B	ASSY HINGE LOW-L; GUGGENHEIM,BLK	SA	1
3-1	3	A0947	DA61-04191A	HINGE-LOW L; GUGGENHEIM,SHP1,T4.5,-,-,-,-	SNA	1
3-2	3	G0556	DA66-00560B	CAM HINGE-RISER LOW L; GUGGENHEIM,NY-66,B	SA	1
3-3	3	M0210	6003-001435	SCREW-TAPTYPE; HWH,+,-,S,M5,L12.7,ZPC(WHT	SNA	1
4	2	M0246	DA97-06157B	ASSY HINGE LOW-R; GUGGENHEIM,BLK	SA	1
4-1	3		DA61-04190A	HINGE-LOW R; GUGGENHEIM,SHP1,T4.5,-,-,-,-	SNA	1
4-2	3	G0555	DA66-00559A	CAM HINGE-RISER LOW R; GUGGENHEIM,NY-66,-	SA	1
4-3	3	M0210	6003-001435	SCREW-TAPTYPE; HWH,+,-,S,M5,L12.7,ZPC(WHT	SNA	1
5	2	G0520	DA61-06104B	BRACKET HINGE-LOW; HM10,AL,43.5,55.4	SA	2
6	3	A0577	DA61-00805F	FOOT-FRONT; REF-ALL,PP+MSWR10,BLACK,PP_S	SA	2
7	2		DA97-12757B	ASSY COVER LEG-FRONT; HM10-SEPM,PP,89.3,9	SNA	1
7-1	3	A0807	DA63-07058B	COVER LEG-FRONT; HM10-SEPM,PP,W910.9,L89.	SA	1
8	2	M0116	DA97-03870B	ASSY SUPPORT-CIRCUIT MOTOR; ET/ATOP_VE,-,	SA	1
8-1	3	M0210	6003-000003	SCREW-TAPTYPE; BH,+,-,B,M4,L10,ZPC(BLK),S	SNA	2
8-2	3	A0998	DA31-00146B	MOTOR BLDC; DRCP5030LA,1560,-,DC12V,230mA	SNA	1
8-3	3	A0908	DA61-02355B	BRACKET-CIRCUIT MOTOR; ABS,NEXT,-,-,-,NTR	SNA	1
8-4	3	A0907	DA61-02788A	SUPPORT-CIRCUIT MOTOR; ET/A-TOP_VE,ABS,T2	SNA	1
8-5	3	M2002	DA63-40167A	GROMMET-COVER CHIL; SILICON,L16,WHITE	SA	1
9	2	A1009	DA96-00966A	ASSY FAN; HM10-SEPM,PI 150	SA	1



No.	Lvl.	Loc.	Material Code	Description & Specification	SNA	Qty.
9-1	3		DA31-00317A	FAN-TURBO; HM10-SEPM,ABS+GLASSFIBER,GR-40	SNA	1
9-2	3	A0768	DA61-03139A	SPRING ETC-FAN; -,STS304,CD1.0,-,L3.0,3	SNA	1
10	3	G0586	DA97-13057A	ASSY TRAY DRAIN WATER-SUB; HM10-SEPM,IN_D	SA	1
11	2	A0738	DA97-12777A	ASSY CHASSIS-COMP; HM10,IN_DOOR	SNA	1
11-1	3	M0146	DA61-01920A	CASTER-RIVET; (ZPC2),MSWR10,OD8.0,L58	SA	1
11-2	3	A0527	DA61-04703A	CASTER-REAR; AW-PJT,PP,-,35,NTR,35,PP+TPE	SA	2
12	2	A0529	DA97-12774A	ASSY TRAY DRAIN WATER; HM10,IN_DOOR	SNA	1
12-1	3	M0349	DA97-03962E	ASSY PIPE-SPIRAL COND; HERMES-PJT,VE	SA	1
12-2	3	T0035	6009-001252	SCREW-SPECIAL; PH,+,-,M4.0,L20(12),ZPC(WH	SNA	4
13	2	A1100	DA97-04045A	ASSY TUBE-DRAIN; ET-PJT,SOFT-PVC	SA	2
14	2	M0076	DA97-12759A	ASSY COVER COMP; HM10-SEPM,SGCC,T0.3	SA	1
15	3	A0564	DA60-20008A	BOLT-HEX; S25C,M6,L43.6,WHITE,ZPC	SA	4
16	2	Z1180	ENV4A5GL2J/AK1	COMPRESSOR,BLDC IPM,15.32CC,220-240V,FAN; COMPRESSOR,BLDC IPM,15.32CC,220-240V,FAN		1
17	2	G0071	DA62-02614N	DRYER-SINGLE; HAEMIL_10,C1220T,OD18.7,L11	SA	1
18	3	A0575	DA34-00004B	RELAY PROTECTOR O/L; 4TM308RFBYY-82,BK190	SA	1
19	3	Z1112	DA63-02617A	GROMMET COMP; USP05,EPDM,OD18.5,BLACK	SA	4
20	2	A0620	DA96-00974B	ASSY W/HARNESS-MAIN; HM10-SEPM, DISP, HO	SNA	1
21	2	G0568	DA97-07070B	ASSY MOTOR-STEP VALVE; JM-PJT,-	SA	1
22	2	A0273	DA39-10115D	CBF-POWER CORD; UCP-2,250V,10/16A,L2100,-	SA	1
23	2	M0105	DA97-02805J	ASSY PIPE CONNECT-SUCTION; GGH09	SA	1
24	2	M2000	DA27-00019H	COIL FILTER-EMI; AW3-PJT,20mH,82*60,-25 ~	SA	1
25	2	G0089	DA63-07020A	COVER PCB-PANEL; HM10-SEPM,GI-SGCC,T0.4,W	SA	1
26	2	A0927	DA61-08393A	CASE PCB-PANEL; HM10-SEPM,ABS,NTR,VE-0858	SA	1
27	2	A0952	DA92-00241B	ASSY PCB MAIN; 13V, 5V,LED DISPLAY,HERMES	SA	1
28	2	M0286	DA61-04188B	HINGE-UPP L; GUGGENHEIM(EXP),SHP1,T3.0,-,	SA	1
29	2	A0813	DA61-04189B	HINGE-UPP R; GUGGENHEIM(EXP),SHP1,T3.0,-,	SA	1

# 4. Freezer Door

## Exploded View



## Parts List

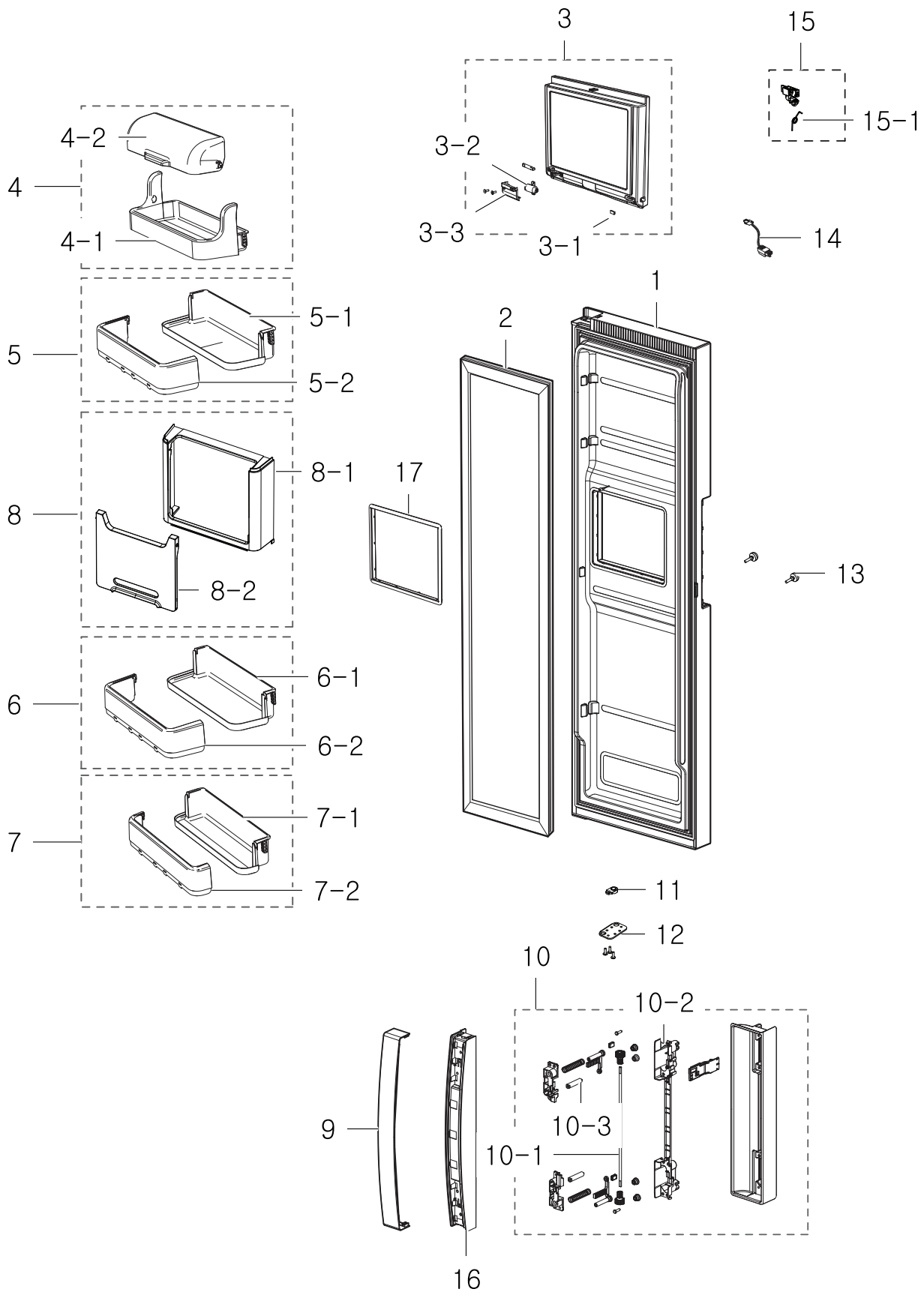
No.	Lvl.	Loc.	Material Code	Description & Specification	SNA	Qty.
1	2	A0051	DA91-03856C	ASSY DOOR FOAM FRE; HM10-P,G,Z, U OPTION,	SA	1
2	2		DA97-12398H	ASSY-GASKET DOOR; FRE,HM10,BLACK,L1587,W3	SA	1
3	2	M0305	DA97-12817A	ASSY COVER-ICE MAKER; HM10-SEPM,135.6,299	SA	1
3-1	3		DA63-07115A	COVER-ICE MAKER B; HM10,SAN,124.3,293.9,N	SNA	1
4	2	M0122	DA97-12772A	ASSY TRAY-ICE BUCKET; HM10,IN_DOOR	SA	1
4-1	3	G0552	DA64-04212A	WINDOW-BUCKET; HM10-SEPM,PC,3022IR,NTR	SA	1
4-2	3		DA66-00587A	LEVER-BUCKET L; GUGGENHEIM,ABS,29.8,76.7,	SC	1
4-3	3	G0557	DA66-00588A	LEVER-BUCKET R; GUGGENHEIM,ABS,29.8,76.7,	SA	1
5	2	M0299	DA97-12778A	ASSY CASE AUGER MOTOR; HM10,IN_DOOR	SA	1
5-1	3	M0200	DA31-00079A	MOTOR GEARED-DISP; 15.2/18.2 rpm,50/60Hz,	SA	1
5-2	3	M0199	DA31-00210E	MOTOR GEARED-AUGER; ISG-3245SSB,150kgf.cm	SA	1
5-3	3	M0393	DA61-08386A	CASE-AUGER MOTOR; HM10,ABS,COOL WHITE,GP3	SA	1
5-4	4	M0396	DA66-00589A	CAM-LEVER CUBE; GUGGENHEIM,POM,T17.9,55	SA	1
5-5	3	A0104	DA97-11092A	ASSY ICE MAKER; GGH-PJT,220~240V,50Hz	SA	1
5-6	4	M0394	DA63-04355A	COVER-HEATER ICE MAKER; GUGGENHEIM,ABS,47	SA	1
5-7	3	M0395	DA63-07012A	COVER-MOTOR AUGER SUB; HM10,HIPS,WHT,HG-1	SA	1
6	2	A0623	DA63-07057A	GUARD FRE-UPP; HM10-SEPM,HIPS,COOL WHITE,	SA	1
7	2	G0576	DA97-12735A	ASSY GUARD-FRE LOW; HM10-SEPM	SA	2
8	2		DA97-12757B	ASSY COVER LEG-FRONT; HM10-SEPM,PP,89.3,9	SNA	1
8-1	3	M0411	DA63-05054H	COVER-DISPENSER; HM09,ABS,EMPIRE BLACK,EU	SA	1
8-2	3	G0542	DA63-05063D	COVER-CONTROL WINDOW FRE; HM09,ACRYL,BLAC	SA	1
8-3	3	G0539	DA63-05057B	COVER-DISPENSER SUB; HM10,HIPS,NTR	SA	1
8-4	3	G0541	DA63-05059A	GROMMET-BUTTON; HM09,SILICON,BLACK	SA	2
8-5	3	G0069	DA41-00643B	ASSY PCB KIT LED; '09 HM-PJT INDOOR,F-DOO	SA	1
8-6	3	G0548	DA64-02983A	DECORATION-BUTTON CONTROL; HM09,ABS,NTR,P	SA	2
8-7	3		DA64-02982D	BUTTON-DISPENSOR; HM09,ABS,NOBLE GRAY(SC-	SNA	1

## Exploded Views and Parts List

No.	Lvl.	Loc.	Material Code	Description & Specification	SNA	Qty.
8-8	3	M0210	6003-000333	SCREW-TAPTYPE; RH,+,-,2S,M3,L10,ZPC(WHT),	SNA	3
9	2		DA97-12776A	ASSY COVER-PCB PANEL REAR; HM10,IN_DOOR	SNA	1
9-1	4	G0532	DA63-03259C	COVER PCB-PANEL REAR; A-TOP 06,ABS(HG-076	SA	1
9-2	4	G0518	DA61-01616A	SPRING ETC-LEVER DISP WATER; AD,STS304,-,	SA	1
9-3	4		DA61-01868B	BRACKET-OIL DAMPER; ABS,AD,-,-,-,NTR,-	SNA	1
9-4	4		DA61-01869A	OIL DAMPER; AD,POM,-,120g/Cm,-,OD15,-,-	SNA	1
9-5	3	G0560	DA66-00959A	LEVER-DISPENSER WATER; HM10-SEPM,SAN,NTR	SA	1
9-6	3	G0559	DA66-00958A	LEVER-DISPENSER ICE; HM10-SEPM,SAN,NTR	SA	1
9-7	4	M0216	DA61-01651A	SPRING ETC-COVER ICE ROUTE; AD,STS304,1.0	SNA	1
9-8	4	G0528	DA63-01970A	COVER-ICE ROUTE A; AD,ABS,T2.5,-,-,-,BL	SA	1
9-9	4	G0529	DA63-01971B	COVER-ICE ROUTE B; AD,ABS,-,-,-,-,NATUR	SA	1
9-10	4	G0530	DA63-01972A	GASKET-COVER ICE ROUTE; AD,SILICON,T1.5,-	SA	1
10	5	M0221	DA61-04195A	STOPPER-DOOR L; GUGGENHEIM,SHP1,T3.0,-,-,	SA	1
11	5	M0265	DA66-00558B	CAM HINGE-RISER UPP L; POLARIS,NY-66,BLAC	SA	1
12	5	M0060	DA63-04341G	COVER-CAP DOOR FRE; GUGGENHEIM,HIPS,W61.3	SA	1
13	5	M1100	DA97-06542A	ASSY PIPE-WATER ICE; GUGGENHEIM(EXP),230V	SA	1
14	2		DA64-03166A	TRIM-HANDLE; HM10,A6063,INOX(SC-06034T),I	SA	1
15	4		DA97-08290R	ASSY CASE-HANDLE FRONT; HM10,EMPIRE BLACK	SA	1
15-1	5	G0558	DA66-00713B	SHAFT-GEAR EASY; HM10,MSWR10,257,4.5	SA	1
15-2	5	G0225	DA66-00726B	SHAFT-HANDLE; HM10,SUM22,OD9	SNA	2
15-3	5	G0550	DA64-03164A	HANDLE BASE-EASY; HM10,ABS,27.9,336.1,NOB	SA	1
16	3		DA64-03163F	HANDLE-FRONT EASY; HM10,ABS,40.3,352,I-BL	SA	1

# 5. Fridge Door

## Exploded View



**Parts List**

No.	Lvl.	Loc.	Material Code	Description & Specification	SNA	Qty.
1	2	A0052	DA91-03855B	ASSY DOOR FOAM REF; HM10-P,Z,G OPTION,EMP	SNA	1
2	2		DA97-12398J	ASSY-GASKET DOOR; REF, HM10,BLACK,L1587,W	SA	1
3	2		DA97-07447G	ASSY HOME BAR REF; HM10,EMPIRE BLACK,Herm	SA	1
3-1	3	G0553	DA66-00144C	SHAFT-HINGE HOMEBAR; CULLINAN,STS304,-,-,	SA	1
3-2	3	A0834	DA97-07523A	ASSY DAMPER-HOME BAR; CULLINAN 09,-,-,-,D	SA	1
3-3	3	G0538	DA63-04887A	COVER-DAMPER HOME BAR; CULLI_09(SRS),ABS,	SA	1
4	2	M0094	DA97-12731A	ASSY GUARD-DAIRY; HM10-SEPM	SNA	1
4-1	3	A0155	DA63-07028A	GUARD-DAIRY; HM10-SEPM,HIPS,COOL WHITE	SA	1
4-2	3	A0660	DA63-07024A	COVER-GUARD DAIRY; HM10-SEPM,GPPS,TRANSPE	SA	1
5	2	G0575	DA97-12734A	ASSY GUARD-REF TOP; HM10-SEPM	SA	1
5-1	3		DA63-07027A	GUARD-REF TOP; HM10-SEPM,HIPS,COOL WHITE	SNA	1
5-2	3		DA63-07030A	COVER-GUARD REF TOP; HM10-SEPM,GPPS,NTR,S	SNA	1
6	2	M0096	DA97-12732A	ASSY GUARD-REF MID; HM10-SEPM	SA	1
6-1	3	A0912	DA63-07026A	GUARD-REF MID; HM10-SEPM,HIPS,COOL WHITE	SNA	1
6-2	3		DA63-07030A	COVER-GUARD REF TOP; HM10-SEPM,GPPS,NTR,S	SNA	1
7	2	G0400	DA97-12733A	ASSY GUARD-REF LOW; HM10-SEPM	SA	1
7-1	3	M0369	DA63-07025A	GUARD-REF LOW; HM10-SEPM,HIPS,COOL WHITE,	SNA	1
7-2	3	A0644	DA63-07029A	COVER-GUARD REF LOW; HM10-SEPM,GPPS,NTR	SNA	1
8	2	A0149	DA97-12736A	ASSY COVER-DOOR RECESS; HM10-SEPM	SNA	1
8-1	3	G0523	DA61-08419A	CASE-DOOR RECESS; HM10,HIPS,COOL WHITE,HG	SA	1
8-2	3	G0546	DA63-07056A	COVER-DOOR RECESS; HM10-SEPM,GPPS,W329.2,	SA	1
9	2		DA64-03166A	TRIM-HANDLE; HM10,A6063,INOX(SC-06034T),I	SA	1
10	4		DA97-08290R	ASSY CASE-HANDLE FRONT; HM10,EMPIRE BLACK	SA	1
10-1	5	G0558	DA66-00713B	SHAFT-GEAR EASY; HM10,MSWR10,257,4.5	SA	1

No.	Lvl.	Loc.	Material Code	Description & Specification	SNA	Qty.
10-2	5	G0550	DA64-03164A	HANDLE BASE-EASY; HM10,ABS,27.9,336.1,NOB	SA	1
10-3	5	G0225	DA66-00726B	SHAFT-HANDLE; HM10,SUM22,OD9	SNA	2
11	5	G0554	DA66-00557A	CAM HINGE-RISER UPP R; GUGGENHEIM,NY-66,-	SA	1
12	5	M0222	DA61-04196A	STOPPER-DOOR R; GUGGENHEIM,SHP1,T3.0,-,-,	SA	1
13	5	G0531	DA63-02750A	GROMMET-COVER SLIDE; ET05-PJT,RUBBER,-,-,	SA	2
14	5	A0063	DA96-00624A	ASSY W/HARNES-DOOR REF; HM10(INDOOR)-PJT	SA	1
15	5	A0835	DA97-07117B	ASSY-LATCH B; SRT749XWSM,POM,BLK,SPRING	SA	1
15-1	6		DA61-05345A	SPRING ETC-LOCKER LATCH; CULLINAN / HEAMI	SNA	1
16	3		DA64-03163F	HANDLE-FRONT EASY; HM10,ABS,40.3,352,I-BL	SA	1
17	5	M0388	DA63-05526G	GASKET HOME BAR-REF; HERMES10(75),SF-PVC,	SA	1