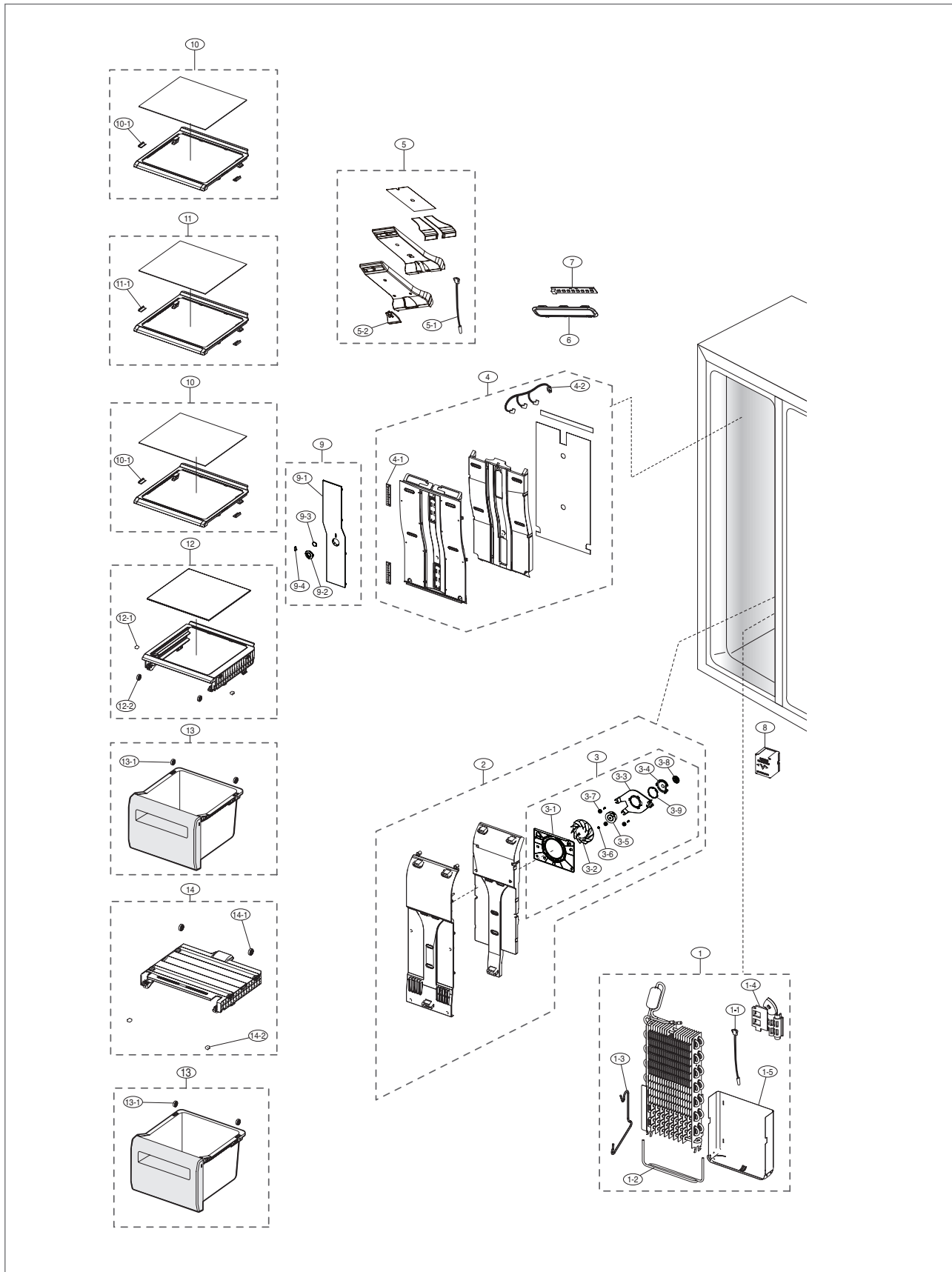


## 5 . EXPLODED VIEW & PART LIST

|                                         |    |
|-----------------------------------------|----|
| 5-1) Freezer .....                      | 75 |
| 5-2-1) Fridge (RSG5D/F**,RSG25**) ..... | 77 |
| 5-2-2) Fridge (RSG5K**) .....           | 80 |
| 5-3-1) Cabinet & Unit (RSG5**).....     | 83 |
| 5-3-2) Cabinet & Unit (RSG25**).....    | 86 |
| 5-4-1) Freezer Door (RSG5**) .....      | 89 |
| 5-4-2) Freezer Door (RSG25**) .....     | 92 |
| 5-5-1) Fridge Door (RSG5D**) .....      | 95 |
| 5-5-2) Fridge Door (RSG5F/K**) .....    | 97 |
| 5-5-3) Fridge Door (RSG25**) .....      | 99 |

# 5 . EXPLODED VIEW & PART LIST

## 5-1) Freezer



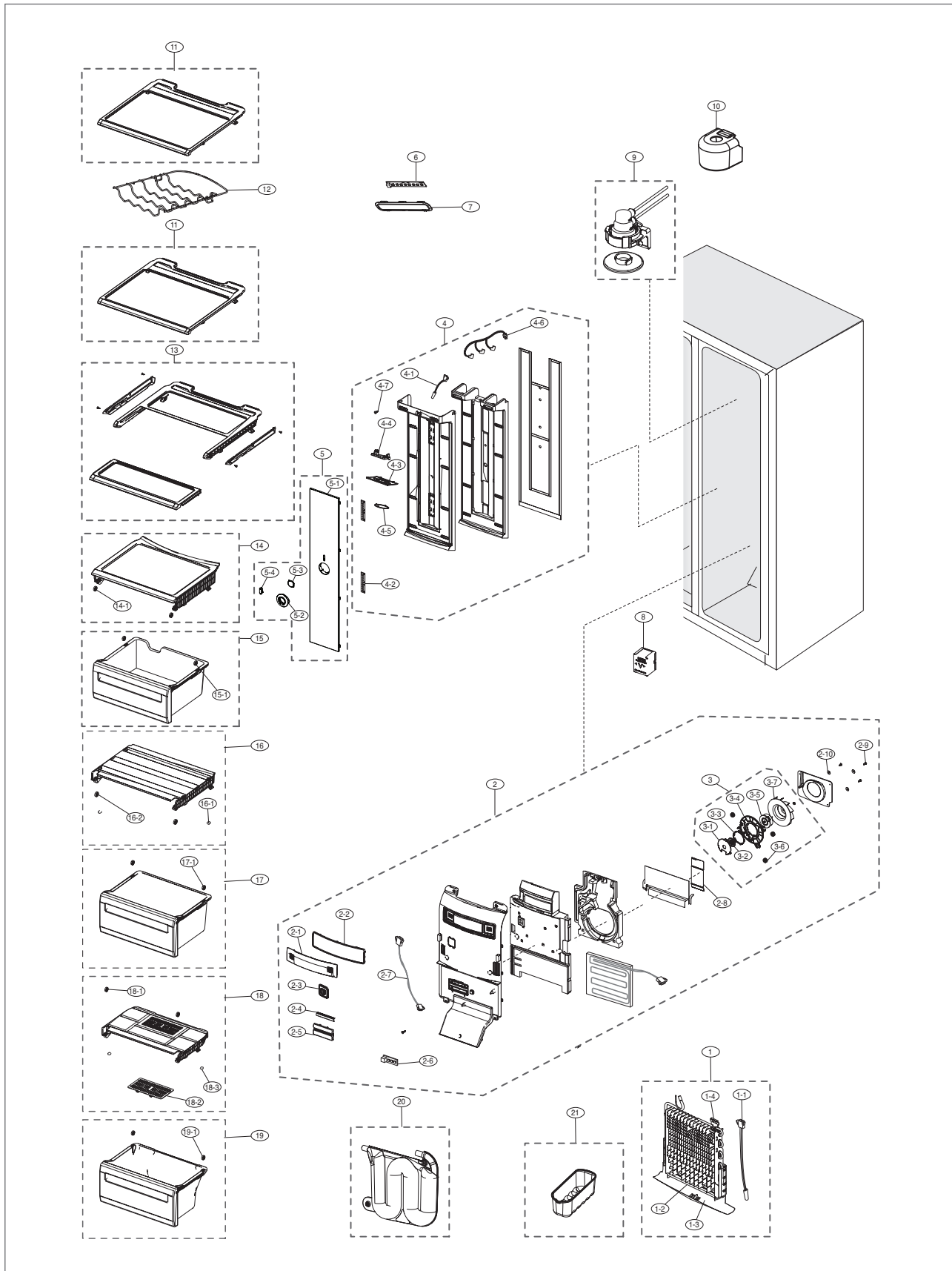
## EXPLODED VIEW & PART LIST

### ■ Parts List of Freezer

| NO   | CODE-NO     | PART NAME               | Spec                                                          | Quantity | Remark  | SA/SNA |
|------|-------------|-------------------------|---------------------------------------------------------------|----------|---------|--------|
| 1    | DA96-00437A | ASSY EVAP-FRE           | GUGGENHEIM,-,A1070-H14,-,230V,-,MS HEATER,-                   | 1        | RSG5*   | SA     |
|      | DA96-00437B |                         | GUGGENHEIM,-,A1070-H14,-,120V,-,MS HEATER,-                   | 1        | RSG25** | SA     |
|      | DA96-00437C |                         | GUGGENHEIM,-,A1070-H14,-,120V,-,MS HEATER,-                   | 1        | RSG5*   | SA     |
| 1-1  | DA32-00006B | SENSOR TEMP             | PX-41C,A TOP,-,10C-35C,5V,-,R DEF-SENSOR,YELLOW,-             | 1        |         | SA     |
| 1-2  | DA47-00281A | HEATER SHEATH-FRE       | GUGGENHEIM-PJT,-,250W,-,230V,211.6 OHM,-,-,-                  | 1        | RSG5*   | SA     |
|      | DA47-00281B |                         | GUGGENHEIM-PJT,-,250W,-,120V,57.6 OHM,-,-,-                   | 1        | RSG25** | SA     |
|      | DA47-00281C |                         | GUGGENHEIM-PJT,-,250W,-,120V,-,-                              | 1        | RSG5*   | SA     |
| 1-3  | DA61-04514A | FIXER-SHEATH HEATER     | GUGGENHEIM,AL,-,-,-                                           | 1        |         | SA     |
| 1-4  | DA61-02901A | FIXER-SENSOR EVAP       | CORE-PJT,PP,-,NTR,-                                           | 1        |         | SA     |
| 1-5  | DA61-04116A | PLATE-DRAIN FRE         | GUGGENHEIM,SAZCC,T0.3,-,-,-,-                                 | 1        |         | SA     |
| 2    | DA97-06098A | ASSY-COVER EVAP FRE     | Guggenheim,EXP,-,-                                            | 1        |         | SA     |
| 3    | DA97-06096A | ASSY MOTOR-FAN FRE      | GUGGENHEIM,130.5                                              | 1        |         | SA     |
| 3-1  | DA61-04111A | PLATE-FAN MOTOR FRE     | GUGGENHEIM,ABS+GLASSFIBER,T2.0,-,-,NATURAL,10%                | 1        |         | SA     |
| 3-2  | DA31-00213A | FAN-BACKWARD            | -,GUGGENHEIM,ABS,PI 130.5,WING 11                             | 1        |         | SA     |
| 3-3  | DA61-04110A | BRACKET-MOTER FRE       | GUGGENHEIM,ABS+GLASSFIBER,T2.0,-,-,NATURAL,10%                | 1        |         | SA     |
| 3-4  | DA61-04129A | BRACKET-MOTOR REF B     | -,ABS,T2.0,-,-,NTR,-                                          | 1        |         | SA     |
| 3-5  | DA31-00211A | MOTOR BLDC-COMPACT      | DREP5060RA,1800,-,DC 12V,-,-,-,3.0 W,-,CW,-,-,-,-             | 1        |         | SA     |
| 3-6  | 6002-000520 | SCREW-TAPPING           | TH,-,-,2,M4,L12,ZPC(WHT),SWRCH18A,-                           | 3        |         | SA     |
| 3-7  | DA63-04118A | GROMMET-MOTOR           | GUGGENHEIM,SILICON,-,-,-,ID8,OD18,WHITE,-                     | 3        |         | SA     |
| 3-8  | DA63-04130A | GROMMET-MOTOR LOW       | GUGGENHEIM,RUBBER,-,-,-,-,BLACK,-                             | 1        |         | SA     |
| 3-9  | DA63-04131A | GROMMET-MOTOR HIGH      | GUGGENHEIM,RUBBER,-,-,-,-,BLACK,-                             | 1        |         | SA     |
| 3-10 | DA60-40104J | WASHER                  | -,PI 4.2,-,T0.8,T3-PJT,-,-,STS304,-                           | 1        |         | SA     |
| 4    | DA97-06444A | ASSY COVER-MULTI FRE    | GUGGENHEIM,-,-,-,-,-,White,DISP,LED                           | 1        |         | SA     |
| 4-1  | DA41-00519B | PBA-LED LAMP            | GUGGENHEIM -PJT,F-ROOM,FR-4,100*20*1.6t,3chip 6EA,12V,50/60Hz | 2        |         | SA     |
| 4-2  | DA96-00424B | ASSY W/HARNESS-LED LAMP | GUGGENHEIM,W/H LED LAMP                                       | 1        |         | SA     |
| 5    | DA97-06469B | ASSY COVER-ICE DUCT FRE | GUGGENHEIM,-,-,-,-,-,WHITE,DISPENSER,SENSOR TEMP L150         | 1        |         | SA     |
| 5-1  | DA32-10105U | SENSOR TEMP             | 502AT,A-TOP,-,50-50,5V,-,-,ROOM-SENSOR(PX-41C),BLU,200M       | 1        |         | SA     |
| 5-2  | DA67-02035A | CAP-SENSOR ICE DUCT     | GUGGENHEIM,PP,T2.0,-,-,COOL WHITE,DISP TYPE                   | 1        |         | SA     |
| 6    | DA63-04119A | COVER LAMP-LED FRONT    | GUGGENHEIM,ABS NATURAL,T2.0,-,-,-,-,-                         | 1        |         | SA     |
| 7    | DA41-00519A | PBA-LED LAMP            | GUGGENHEIM -PJT,F-ROOM,FR-4,100*20*1.6t,3chip 8EA,12V,50/60Hz | 1        |         | SA     |
| 8    | DA63-02902B | COVER-FIXER HOUSING V   | NEXT-PJT,GALVA,T0.3,W31,L42,-,-,-,-                           | 1        |         | SA     |
| 9    | DA97-06100A | ASSY-COVER LAMP FRE     | GUGGENHEIM,LED TYPE,-,-                                       | 1        |         | SA     |
| 9-1  | DA63-04117A | COVER LAMP-FRE          | GUGGENHEIM,PP,T2.0,-,-,-,-,TRP,-                              | 1        |         | SA     |
| 9-2  | DA63-04121A | COVER-SENSOR MID A      | GUGGENHEIM,ABS,T2.0,-,-,-,-,-,AL PLATE                        | 1        |         | SA     |
| 9-3  | DA63-04122A | COVER-SENSOR MID B      | GUGGENHEIM,GPPS,T2.0,-,-,-,-,-,SMOG                           | 1        |         | SA     |
| 9-4  | DA63-04123A | COVER-SENSOR MID C      | GUGGENHEIM,ABS,T2.0,-,-,-,-,-,AL PLATE                        | 1        |         | SA     |
| 10   | DA97-06438A | ASSY SHELF FRE-TOP      | GUGGENHEIM-PJT,DISP                                           | 2        |         | SA     |
| 10-1 | DA64-00090B | TRIM-SHELF              | A-TOP,LDPE,WHITE,-,-,-,-                                      | 2        |         | SA     |
| 11   | DA97-06439A | ASSY SHELF FRE-MID A    | GUGGENHEIM-PJT,DISP                                           | 1        |         | SA     |
| 11-1 | DA64-00090B | TRIM-SHELF              | A-TOP,LDPE,WHITE,-,-,-,-                                      | 2        |         | SA     |
| 12   | DA97-06137A | ASSY SHELF-FRE LOW      | GUGGENHEIM,HIPS                                               | 1        |         | SA     |
| 12-1 | DA63-04402A | GROMMET-COVER SUB       | GUGGENHEIM,SILICON,-,-,-,-,-                                  | 2        |         | SA     |
| 12-2 | DA66-10104C | ROLLER-FRE              | GUGGENHEIM,POM,OD22,-,NTR,-,-                                 | 2        |         | SA     |
| 13   | DA97-06133B | ASSY CASE-BASKET UP     | GUGGENHEIM,-,-,-,-,-,SAN+HIPS,EXPORT                          | 2        |         | SA     |
| 13-1 | DA66-10104C | ROLLER-FRE              | GUGGENHEIM,POM,OD22,-,NTR,-,-                                 | 2        |         | SA     |
| 14   | DA97-06135A | ASSY COVER-BASKET LOW   | GUGGENHEIM,-,-,-,-,-,SAN                                      | 1        |         | SA     |
| 14-1 | DA66-10104C | ROLLER-FRE              | GUGGENHEIM,POM,OD22,-,NTR,-,-                                 | 2        |         | SA     |
| 14-2 | DA63-04402A | GROMMET-COVER SUB       | GUGGENHEIM,SILICON,-,-,-,-,-                                  | 2        |         | SA     |

# EXPLODED VIEW & PART LIST

## 5-2-1) Fridge (RSG5D/F\*\*, RSG25\*\*)



## EXPLODED VIEW & PART LIST

### ■ Parts List of Fridge (RSG5D/F\*\*,RSG25\*\*)

| NO   | CODE-NO     | PART NAME                | Spec                                                         | Quantity | Remark   | SA/SNA |
|------|-------------|--------------------------|--------------------------------------------------------------|----------|----------|--------|
| 1    | DA96-00440A | ASSY EVAP-REF            | GUGGENHEIM,PIN,A1070-H14,-,230V,-,140W,SHEATH-HEATER,-       | 1        | RSG5*    | SA     |
|      | DA96-00440B |                          | GUGGENHEIM,PIN,A1070-H14,-,120V,-,140W,SHEATH-HEATER,-       | 1        | RSG25**  | SA     |
|      | DA96-00440C |                          | GUGGENHEIM,PIN,A1070-H14,-,120V,-,140W,SHEATH-HEATER,-       | 1        | RSG5*    | SA     |
| 1-1  | DA32-00006B | SENSOR TEMP              | PX-41C,A TOP,-10C-35C,5V,-,R DEF-SENSOR,YELLOW,-             | 1        |          | SA     |
| 1-2  | DA47-00247F | HEATER SHEATH-REF        | GUGGENHEIM-PJT,-,140W,-,230V,377.8 OHM,-,-,-                 | 1        | RSG5**   | SA     |
|      | DA47-00247G |                          | GUGGENHEIM-PJT,-,140W,-,120V,102.6 OHM,-,-,-                 | 1        | RRSG25** | SA     |
|      | DA47-00247J |                          | GUGGENHEIM-PJT,-,140W,-,120V,102.6 OHM,-,-,-                 | 1        | RSG5**   | SA     |
| 1-3  | DA61-03358A | PLATE-DRAIN EVAP REF     | HERMES,GALVANUM,T0.3,-,-,-,-                                 | 1        |          | SA     |
| 1-4  | DA61-00453A | FIXER-SENSOR             | A-TOP,EVAP,PP,-,NTR,ALL                                      | 1        |          | SA     |
| 2    | DA97-06097B | ASSY-COVER EVAP REF      | GUGGENHEIM,LED,CHILD,DISP 230V,-,-                           | 1        |          | SA     |
|      | DA97-06097C |                          | GUGGENHEIM,LED,CHILD,DISP 115V,-,-                           | 1        |          | SA     |
| 2-1  | DA63-04129B | COVER-PURIFIER LOW       | GUGGENHEIM,PP,-,-,-,-,COOL WHITE,EXP                         | 1        |          | SA     |
| 2-2  | DA64-02468A | TRIM-PURIFIER LOW        | GUGGENHEIM,ABS,-,-,-,AL PLATE,-                              | 1        |          | SA     |
| 2-3  | DA61-04393A | GUIDE AIR-REF            | GUGGENHEIM-PJT,HIPS,-,-,-,CHILLD ROOM                        | 1        |          | SA     |
| 2-4  | DA64-02599A | TRIM-LED REF LOW         | GUGGENHEIM,HIPS,-,T1.5,-,WHT,-                               | 1        |          | SA     |
| 2-5  | DA63-04128A | COVER-LED REF LOW        | GUGGENHEIM,SAN,-,-,-,-,-,-                                   | 1        |          | SA     |
| 2-6  | DA96-00392A | ASSY-LAMP_LED            | CUBIC,ROOM LAMP_LED 60mA                                     | 1        |          | SA     |
| 2-7  | DA96-00424C | ASSY W/HARNESS-LED LAMP  | GUGGENHEIM,W/H LED LAMP VEG                                  | 1        |          | SA     |
| 2-8  | DA61-04436A | PLATE-DRAIN INS EVAP REF | GUGGENHEIM,ALUMINIUM,T0.3,-,-,-,-                            | 1        |          | SA     |
| 2-9  | 6002-000213 | SCREW-TAPPING            | TH,-,-,1,M4,L12,ZPC(WHT),SWRCH18A,-                          | 4        |          | SA     |
| 2-10 | DA60-40104J | WASHER                   | -,PI 4.2,-,T0.8,T3-PJT,-,-,STS304,-                          | 3        |          | SA     |
| 3    | DA97-06095A | ASSY MOTOR-FAN REF       | GUGGENHEIM,BLDC P1130.5                                      | 1        |          | SA     |
| 3-1  | DA61-04129A | BRACKET-MOTOR REF B      | -,ABS,T2.0,-,-,NTR,-                                         | 1        |          | SA     |
| 3-2  | DA63-04130A | GROMMET-MOTOR LOW        | GUGGENHEIM,RUBBER,-,-,-,-,BLACK,-                            | 1        |          | SA     |
| 3-3  | DA63-04131A | GROMMET-MOTOR HIGH       | GUGGENHEIM,RUBBER,-,-,-,-,BLACK,-                            | 1        |          | SA     |
| 3-4  | DA61-04128A | BRACKET-MOTOR REF A      | GUGGENHEIM-PJT,ABS+GLASSFIBER,T2.0,-,-,NTR,10%               | 1        |          | SA     |
| 3-5  | DA31-00211B | MOTOR BLDC-COMPACT       | DREP5060RB,1550,-,DC 12V,-,-,3.0 W,-,-,-,-,-                 | 1        |          | SA     |
| 3-6  | DA63-04118A | GROMMET-MOTOR            | GUGGENHEIM,SILICON,-,-,-,ID8,OD18,WHITE,-                    | 3        |          | SA     |
| 3-7  | DA31-00213A | FAN-BACKWARD             | -,GUGGENHEIM,ABS,PI 130.5,WING 11                            | 1        |          | SA     |
| 4    | DA97-06101B | ASSY-COVER MULT REF      | GUGGENHEIM,LED,EXP,-,-                                       | 1        |          | SA     |
| 4-1  | DA32-10109W | SENSOR TEMP              | 502AT,A-TOP,-,5V,-,-,F,R-SENSOR,BLUE,570MM                   | 1        |          | SA     |
| 4-2  | DA41-00519A | PBA-LED LAMP             | GUGGENHEIM-PJT,R-ROOM,FR-4,100*20*1.6t,3chip 8EA,12V,50/60Hz | 2        |          | SA     |
| 4-3  | DA63-04126A | COVER-PURIFIER HIGH A    | GUGGENHEIM,PP,-,-,-,-,COOL-WHITE,-                           | 1        |          | SA     |
| 4-4  | DA63-04127A | COVER-PURIFIER HIGH B    | GUGGENHEIM,NIPS,-,-,-,-,-,-                                  | 1        |          | SA     |
| 4-5  | DA64-02465A | TRIM-PURIFIER UPP        | GUGGENHEIM,ABS,-,-,-,AL PLATE,-                              | 1        |          | SA     |
| 4-6  | DA96-00424A | ASSY W/HARNESS-LED LAMP  | geggenheim,W/H LED LAMP                                      | 1        |          | SA     |
| 4-7  | 6003-000333 | SCREW-TAPTITE            | RH,-,-,2S,M3,L10,ZPC(WHT),SWRCH18A,-                         | 2        |          | SA     |
| 5    | DA97-06092A | ASSY COVER-LAMP REF      | GUGGENHEIM,-,-,-,-,-,LED                                     | 1        |          | SA     |
| 5-1  | DA63-04120A | COVER LAMP-LED REF       | GUGGENHEIM,PP,T2.0,-,-,-,-,-                                 | 1        |          | SA     |
| 5-2  | DA63-04121A | COVER-SENSOR MID A       | GUGGENHEIM,ABS,T2.0,-,-,-,-,AL PLATE                         | 1        |          | SA     |
| 5-3  | DA63-04122A | COVER-SENSOR MID B       | GUGGENHEIM,GPPS,T2.0,-,-,-,-,SMOG                            | 1        |          | SA     |
| 5-4  | DA63-04123A | COVER-SENSOR MID C       | GUGGENHEIM,ABS,T2.0,-,-,-,-,AL PLATE                         | 1        |          | SA     |
| 6    | DA41-00519A | PBA-LED LAMP             | GUGGENHEIM-PJT,R-ROOM,FR-4,100*20*1.6t,3chip 8EA,12V,50/60Hz | 1        |          | SA     |
| 7    | DA63-04119A | COVER LAMP-LED FRONT     | GUGGENHEIM,ABS NATURAL,T2.0,-,-,-,-,-                        | 1        |          | SA     |
| 8    | DA63-02902B | COVER-FIXER HOUSING V    | NEXT-PJT,GALVA,T0.3,W31,L42,-,-,-                            | 1        |          | SA     |
| 9    | DA97-06317A | ASSY CASE-FILTER         | AW,-,-,-,-,-                                                 | 1        |          | SA     |
| 10   | DA63-04150A | COVER-FILTER             | AW,HIPS,-,-,-,-,-,-                                          | 1        |          | SA     |
| 11   | DA67-01929A | SHELF REF-TOP            | GUGGENHEIM-PJT,PP+GLASS,T2.0,W466,L433.3,SC-Q2740R,-         | 2        |          | SA     |
| 12   | DA75-00208A | RACK-WINE                | GUGGENHEIM-PJT,STS304,*5.0,-,-,-,-,-                         | 1        | EU,USA   | SA     |
| 13   | DA97-06102A | ASSY-SHELF REF-FOLD      | GUGGENHEIM-PJT,-,BETTER,-                                    | 1        |          | SA     |
| 14   | DA97-06440A | ASSY SHELF-REF LOW       | GUGGENHEIM,HIPS                                              | 1        |          | SA     |

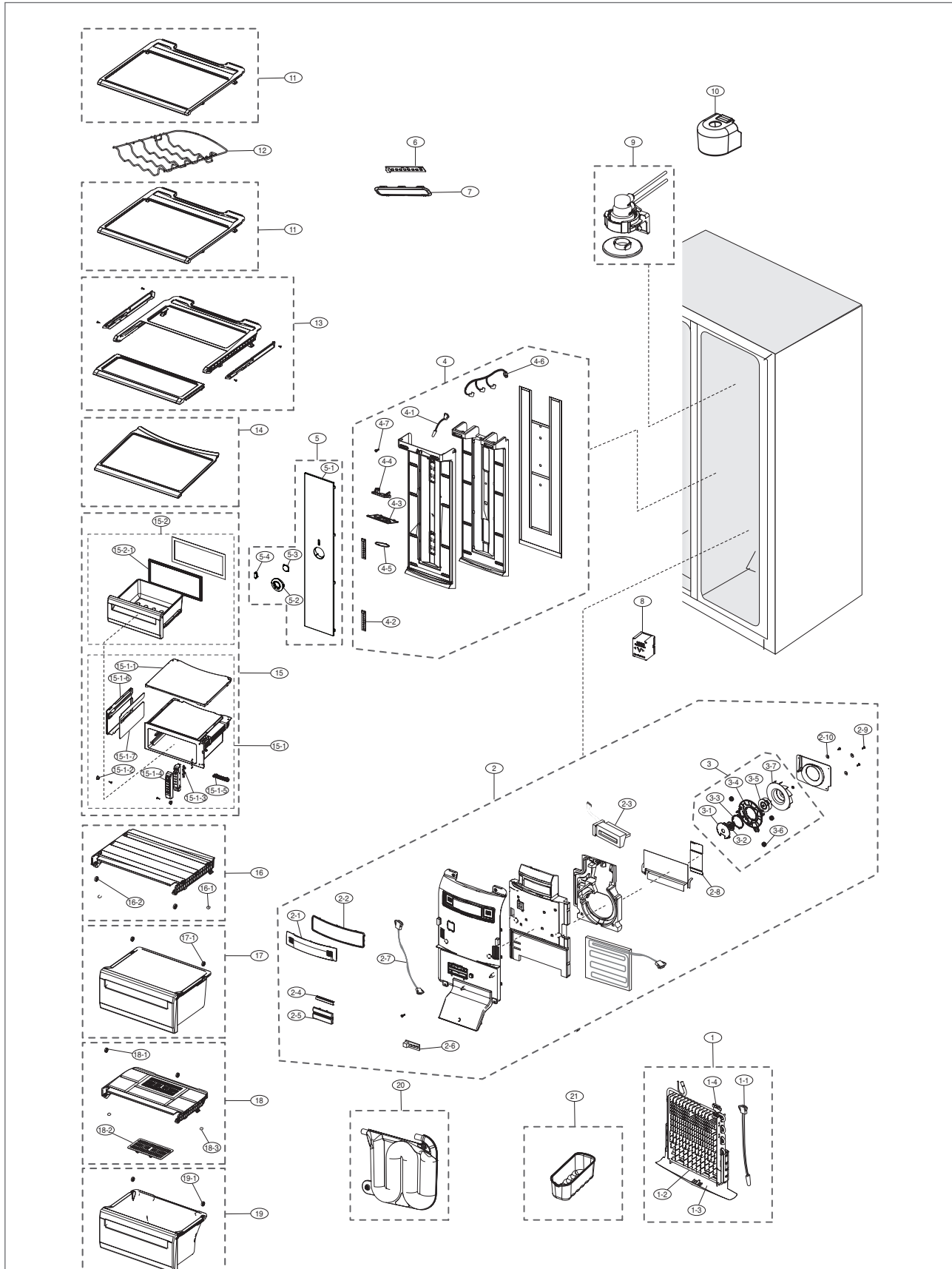
## EXPLODED VIEW & PART LIST

### ■ Parts List of Fridge (RSG5D/F\*\*,RSG25\*\*)

| NO   | CODE-NO     | PART NAME          | Spec                                 | Quantity | Remark | SA/SNA |
|------|-------------|--------------------|--------------------------------------|----------|--------|--------|
| 14-1 | DA66-10104C | ROLLER-FRE         | GUGGENHEIM,POM,OD22,-,NTR,-,-        | 2        |        | SA     |
| 15   | DA97-06441B | ASSY CASE-VEG UP   | GUGGENHEIM,-,-,-,-,SAN+HIPS,EXPORT   | 1        |        | SA     |
| 15-1 | DA66-10104C | ROLLER-FRE         | GUGGENHEIM,POM,OD22,-,NTR,-,-        | 2        |        | SA     |
| 16   | DA97-06136A | ASSY COVER-VEG UP  | GUGGENHEIM,-,-,-,-,-,SAN             | 1        |        | SA     |
| 16-1 | DA63-04402A | GROMMET-COVER SUB  | GUGGENHEIM,SILICON,-,-,-,-,-,-,-,-,- | 2        |        | SA     |
| 16-2 | DA66-10104C | ROLLER-FRE         | GUGGENHEIM,POM,OD22,-,NTR,-,-        | 2        |        | SA     |
| 17   | DA97-06132B | ASSY CASE-VEG MID  | GUGGENHEIM,-,-,-,-,SAN+HIPS,EXPORT   | 1        |        | SA     |
| 17-1 | DA66-10104C | ROLLER-FRE         | GUGGENHEIM,POM,OD22,-,NTR,-,-        | 2        |        | SA     |
| 18   | DA97-06483A | ASSY COVER VEG-LOW | GUGGENHEIM,-,-,-,-,-,SAN             | 1        |        | SA     |
| 18-1 | DA66-10104C | ROLLER-FRE         | GUGGENHEIM,POM,OD22,-,NTR,-,-        | 2        |        | SA     |
| 18-2 | DA63-04399A | COVER-VEG LOW SUB  | GUGGENHEIM,ABS,-,-,-,-,-,-,-,-,-     | 1        |        | SA     |
| 18-3 | DA63-04402A | GROMMET-COVER SUB  | GUGGENHEIM,SILICON,-,-,-,-,-,-,-,-,- | 2        |        | SA     |
| 19   | DA97-06131B | ASSY CASE-VEG LOW  | GUGGENHEIM,-,-,-,-,SAN+HIPS,EXPORT   | 1        |        | SA     |
| 19-1 | DA66-10104C | ROLLER-FRE         | GUGGENHEIM,POM,OD22,-,NTR,-,-        | 2        |        | SA     |
| 20   | DA97-02650H | ASSY TANK WATER    | GUGGENHEIM P.JT,-,-,-,-,-,-,-,-,-    | 1        |        | SA     |
| 21   | DA97-02806A | ASSY TRAY-EGG      | EPEL,T2.5,W324.5,L122.2,H122.5,-     | 1        |        | SA     |

# EXPLODED VIEW & PART LIST

## 5-2-2) Fridge (RSG5K\*\*)



## EXPLODED VIEW & PART LIST

### ■ Parts List of Fridge (RSG5K\*\*)

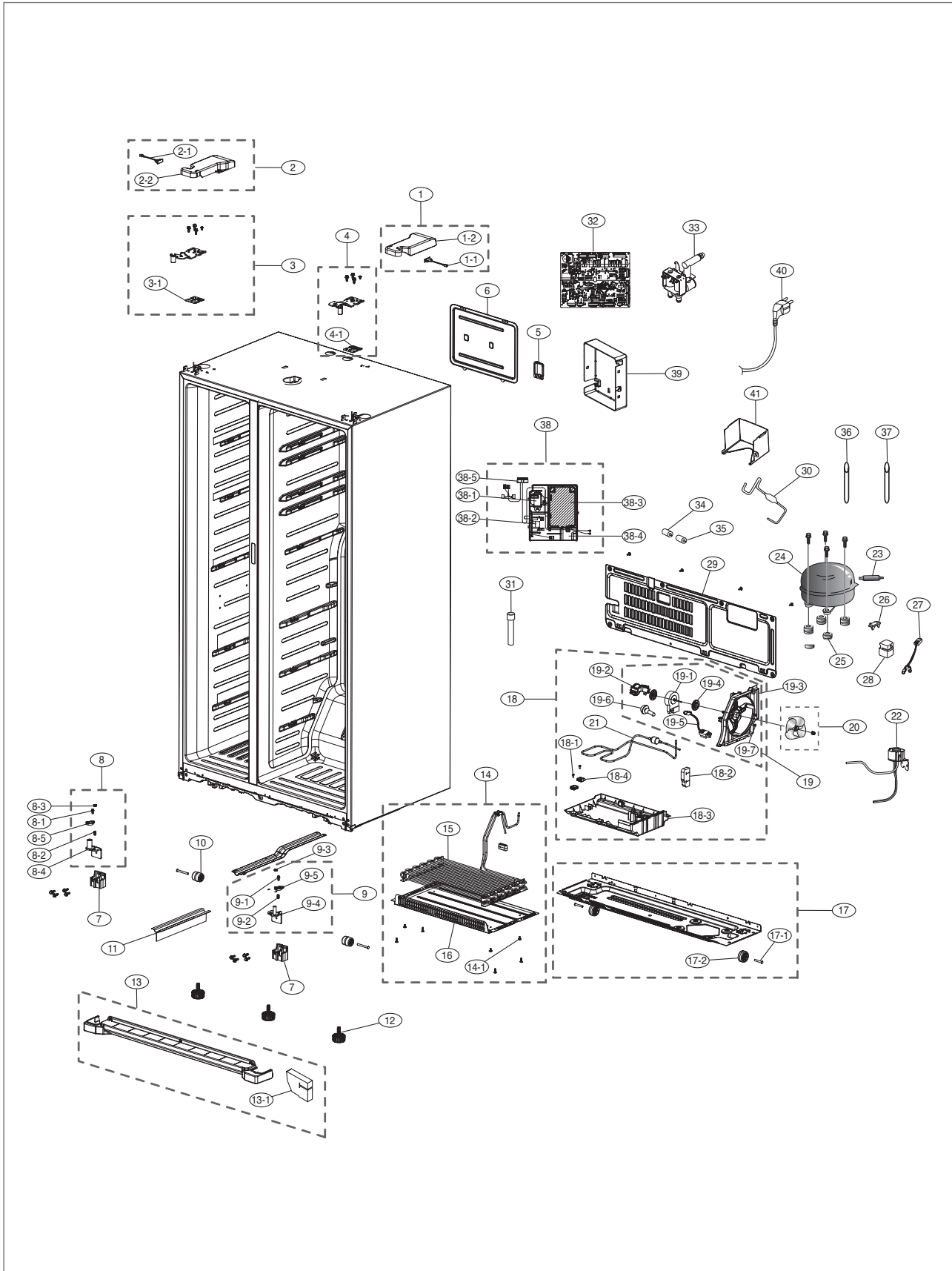
| NO   | CODE-NO     | PART NAME                | Spec                                                         | Quantity | Remark | SA/SNA |
|------|-------------|--------------------------|--------------------------------------------------------------|----------|--------|--------|
| 1    | DA96-00440A | ASSY EVAP-REF            | GUGGENHEIM,PIN,A1070-H14,-,230V,-,140W,SHEATH-HEATER,-       | 1        |        | SA     |
|      | DA96-00440B |                          | GUGGENHEIM,PIN,A1070-H14,-,120V,-,140W,SHEATH-HEATER,-       | 1        |        | SA     |
| 1-1  | DA32-00006B | SENSOR TEMP              | PX-41C,A TOP,-10C-35C,5V,-,R DEF-SENSOR,YELLOW,-             | 1        |        | SA     |
| 1-2  | DA47-00247F | HEATER SHEATH-REF        | GUGGENHEIM-PJT,-,140W,-,230V,377.8 OHM,-,-,-                 | 1        |        | SA     |
|      | DA47-00247G |                          | GUGGENHEIM-PJT,-,140W,-,120V,102.6 OHM,-,-,-                 | 1        |        | SA     |
| 1-3  | DA61-03358A | PLATE-DRAIN EVAP REF     | HERMES,GALVANUM,T0.3,-,-,-,-                                 | 1        |        | SA     |
| 1-4  | DA61-00453A | FIXER-SENSOR             | A-TOP,EVAP,PP,-,NTR,ALL                                      | 1        |        | SA     |
| 2    | DA97-06097D | ASSY-COVER EVAP REF      | GUGGENHEIM,LED,CONVERTIBLE,DISP 230V,-,-                     | 1        |        | SA     |
|      | DA97-06097G |                          | GUGGENHEIM,LED,CONVERTIBLE,DISP 120V,-,-                     | 1        |        | SA     |
| 2-1  | DA63-04129B | COVER-PURIFIER LOW       | GUGGENHEIM,PP,-,-,-,-,COOL WHITE,EXP                         | 1        |        | SA     |
| 2-2  | DA64-02468A | TRIM-PURIFIER LOW        | GUGGENHEIM,ABS,-,-,-,AL PLATE,-                              | 1        |        | SA     |
| 2-3  | DA31-00043L | MOTOR-DAMPER             | DC, 12V, 60mA                                                | 1        |        | SA     |
| 2-4  | DA64-02599A | TRIM-LED REF LOW         | GUGGENHEIM,HIPS,-,T1.5,-,WHT,-                               | 1        |        | SA     |
| 2-5  | DA63-04128A | COVER-LED REF LOW        | GUGGENHEIM,SAN,-,-,-,-,-,-                                   | 1        |        | SA     |
| 2-6  | DA96-00392A | ASSY-LAMP_LED            | CUBIC,ROOM LAMP_LED 60mA                                     | 1        |        | SA     |
| 2-7  | DA96-00424C | ASSY W/HARNESS-LED LAMP  | GUGGENHEIM,W/H LED LAMP VEG                                  | 1        |        | SA     |
| 2-8  | DA61-04436A | PLATE-DRAIN INS EVAP REF | GUGGENHEIM,ALUMINIUM,T0.3,-,-,-,-                            | 1        |        | SA     |
| 2-9  | 6002-000213 | SCREW-TAPPING            | TH,-,-,1,M4,L12,ZPC(WHT),SWRCH18A,-                          | 4        |        | SA     |
| 2-10 | DA60-40104J | WASHER                   | -,PI 4.2,-,T0.8,T3-PJT,-,-,STS304,-                          | 3        |        | SA     |
| 3    | DA97-06095A | ASSY MOTOR-FAN REF       | GUGGENHEIM,BLDC PI130.5                                      | 1        |        | SA     |
| 3-1  | DA61-04129A | BRACKET-MOTOR REF B      | -,ABS,T2.0,-,-,NTR,-                                         | 1        |        | SA     |
| 3-2  | DA63-04130A | GROMMET-MOTOR LOW        | GUGGENHEIM,RUBBER,-,-,-,-,BLACK,-                            | 1        |        | SA     |
| 3-3  | DA63-04131A | GROMMET-MOTOR HIGH       | GUGGENHEIM,RUBBER,-,-,-,-,BLACK,-                            | 1        |        | SA     |
| 3-4  | DA61-04128A | BRACKET-MOTOR REF A      | GUGGENHEIM-PJT,ABS+GLASSFIBER,T2.0,-,-,NTR,10%               | 1        |        | SA     |
| 3-5  | DA31-00211B | MOTOR BLDC-COMPACT       | DREP5060RB,1550,-,DC 12V,-,-,-,3.0 W,-,CW,-,-,-,-            | 1        |        | SA     |
| 3-6  | DA63-04118A | GROMMET-MOTOR            | GUGGENHEIM,SILICON,-,-,-,D8,OD18,WHITE,-                     | 3        |        | SA     |
| 3-7  | DA31-00213A | FAN-BACKWARD             | -,GUGGENHEIM,ABS,PI 130.5,WING 11                            | 1        |        | SA     |
| 4    | DA97-06101B | ASSY-COVER MULT REF      | GUGGENHEIM,LED,EXP,-,-                                       | 1        |        | SA     |
| 4-1  | DA32-10109W | SENSOR TEMP              | 502AT,A-TOP,-,5V,-,-,F,R-SENSOR,BLUE,570MM                   | 1        |        | SA     |
| 4-2  | DA41-00519A | PBA-LED LAMP             | GUGGENHEIM-PJT,R-ROOM,FR-4,100*20*1.6t,3chip 8EA,12V,50/60Hz | 2        |        | SA     |
| 4-3  | DA63-04126A | COVER-PURIFIER HIGH A    | GUGGENHEIM,PP,-,-,-,-,COOL-WHITE,-                           | 1        |        | SA     |
| 4-4  | DA63-04127A | COVER-PURIFIER HIGH B    | GUGGENHEIM,NIPS,-,-,-,-,-,-                                  | 1        |        | SA     |
| 4-5  | DA64-02465A | TRIM-PURIFIER UPP        | GUGGENHEIM,ABS,-,-,-,AL PLATE,-                              | 1        |        | SA     |
| 4-6  | DA96-00424A | ASSY W/HARNESS-LED LAMP  | geggenheim,W/H LED LAMP                                      | 1        |        | SA     |
| 4-7  | 6003-000333 | SCREW-TAPTITE            | RH,-,-,2S,M3,L10,ZPC(WHT),SWRCH18A,-                         | 2        |        | SA     |
| 5    | DA97-06092A | ASSY COVER-LAMP REF      | GUGGENHEIM,-,-,-,-,-,LED                                     | 1        |        | SA     |
| 5-1  | DA63-04120A | COVER LAMP-LED REF       | GUGGENHEIM,PP,T2.0,-,-,-,-,-                                 | 1        |        | SA     |
| 5-2  | DA63-04121A | COVER-SENSOR MID A       | GUGGENHEIM,ABS,T2.0,-,-,-,-,AL PLATE                         | 1        |        | SA     |
| 5-3  | DA63-04122A | COVER-SENSOR MID B       | GUGGENHEIM,GPPS,T2.0,-,-,-,-,SMOG                            | 1        |        | SA     |
| 5-4  | DA63-04123A | COVER-SENSOR MID C       | GUGGENHEIM,ABS,T2.0,-,-,-,-,AL PLATE                         | 1        |        | SA     |
| 6    | DA41-00519A | PBA-LED LAMP             | GUGGENHEIM-PJT,R-ROOM,FR-4,100*20*1.6t,3chip 8EA,12V,50/60Hz | 1        |        | SA     |
| 7    | DA63-04119A | COVER LAMP-LED FRONT     | GUGGENHEIM,ABS NATURAL,T2.0,-,-,-,-,-                        | 1        |        | SA     |
| 8    | DA63-02902B | COVER-FIXER HOUSING V    | NEXT-PJT,GALVA,T0.3,W31,L42,-,-,-                            | 1        |        | SA     |
| 9    | DA97-06317A | ASSY CASE-FILTER         | AW,-,-,-,-,-                                                 | 1        |        | SA     |
| 10   | DA63-04150A | COVER-FILTER             | AW,HIPS,-,-,-,-,-,-                                          | 1        |        | SA     |
| 11   | DA67-01929A | SHELF REF-TOP            | GUGGENHEIM-PJT,PP+GLASS,T2.0,W466,L433.3,SC-02740R,-         | 2        |        | SA     |
| 12   | DA75-00208A | RACK-WINE                | GUGGENHEIM-PJT,STS304,*5.0,-,-,-,-                           | 1        |        | SA     |
| 13   | DA97-06102A | ASSY-SHELF REF-FOLD      | GUGGENHEIM-PJT,-,BETTER,-                                    | 1        |        | SA     |
| 14   | DA67-02047A | SHELF REF-CONVERTBLE     | GUGGENHEIM,PP+GLASS,-,-,-,COOL-WHITE,-                       | 1        |        | SA     |
| 15   | DA97-06130B | ASSY CONVERTIBLE         | GUGGENHEIM,EXP,230V                                          | 1        |        | SA     |
|      | DA97-06130D |                          | GUGGENHEIM,EXP,120V                                          | 1        |        | SA     |





# EXPLODED VIEW & PART LIST

## 5-3-1) Cabinet & Unit (RSG5\*\*)



## EXPLODED VIEW & PART LIST

### ■ Parts List of Cabinet & Unit (RSG5\*\*)

| NO   | CODE-NO     | PART NAME                  | Spec                                                                            | Quantity | Remark | SA/SNA |
|------|-------------|----------------------------|---------------------------------------------------------------------------------|----------|--------|--------|
| 1    | DA97-06159C | ASSY COVER HINGE-UPP R     | GUGGENHEIM(EXP),T2.5,W96.1,L230.7,;,NOBLE GRAY(SC-02008R),INCOMBUSTIBILITY      | 1        |        | SA     |
| 1-1  | DA34-00043C | SWITCH REED-ASS'Y          | 200VDC,1.5A,-                                                                   | 1        |        | SA     |
| 1-2  | DA63-04180C | COVER HINGE-UPP R          | GUGGENHEIM(EXP),NABS,T2.5,W96.1,L230.7,;,NOBLE GRAY(SC-07008R),INCOMBUSTIBILITY | 1        |        | SA     |
| 2    | DA97-06160C | ASSY COVER HINGE-UPP L     | GUGGENHEIM(EXP),T2.5,W96.1,L230.7,;,NOBLE GRAY(SC-02008R),INCOMBUSTIBILITY      | 1        |        | SA     |
| 2-1  | DA34-00043C | SWITCH REED-ASS'Y          | 200VDC,1.5A,-                                                                   | 1        |        | SA     |
| 2-2  | DA63-04181C | COVER HINGE-UPP L          | GUGGENHEIM(EXP),NABS,T2.5,W96.1,L230.7,;,NOBLE GRAY(SC-02008R),INCOMBUSTIBILITY | 1        |        | SA     |
| 3    | DA97-06155B | ASSY HINGE UPP-R           | GUGGENHEIM(EXP),T3.0,;,BLACK,;-                                                 | 1        |        | SA     |
| 3-1  | DA63-50192A | SHIM-HINGE UPP             | -,RD-PVC,T1.0,-L360,;-                                                          | 1        |        | SA     |
| 4    | DA97-06156B | ASSY HINGE UPP-L           | GUGGENHEIM(EXP),T3.0,;,BLACK,;-                                                 | 1        |        | SA     |
| 4-1  | DA63-50192A | SHIM-HINGE UPP             | -,RD-PVC,T1.0,-L360,;-                                                          | 1        |        | SA     |
| 5    | DA63-00586B | COVER-TUBE FILTER          | A-TOP,PP,;,W76,L83,;,NTR,-                                                      | 1        |        | SA     |
| 6    | DA97-06102A | ASSY COVER-PCB PANEL MAIN  | GUGGENHEIM,SBHG1,T0.6,220-240V,;,;,;,;                                          | 1        | 230V   | SA     |
|      | DA97-06102B |                            | GUGGENHEIM,SBHG1,T0.6,110-127V,;,;,;,;                                          | 1        | 120V   |        |
| 7    | DA61-04215A | BRACKET HINGE-LOW          | GUGGENHEIM,AL,;,;,;,;                                                           | 2        |        | SA     |
| 8    | DA97-06158A | ASSY HINGE LOW-L           | GUGGENHEIM,;,;,BLK,;-                                                           | 1        |        | SA     |
| 8-1  | 6003-001435 | SCREW-TAPTITE              | HWH,+,;,S,M5,L12.7,ZPC(WHT),SWRCH18A,-                                          | 1        |        | SA     |
| 8-2  | 6011-001442 | BOLT-SOCKET                | M8,L13.4,ZPC(BLK),SCM435,-                                                      | 1        |        | SA     |
| 8-3  | 6021-001125 | NUT-HEXAGON                | 3,M8,P1.25,ZPC(BLK),SWRCH10A,-                                                  | 1        |        | SA     |
| 8-4  | DA61-04191A | HINGE-LOW L                | GUGGENHEIM,SHP1,T4.5,;,;,;,;                                                    | 1        |        | SA     |
| 8-5  | DA66-00560A | CAM HINGE-RISER LOW L      | GUGGENHEIM,NY-66,;,BLACK,;,;,;,;                                                | 1        |        | SA     |
| 9    | DA97-06157A | ASSY HINGE LOW-R           | GUGGENHEIM,;,;,BLK,;-                                                           | 1        |        | SA     |
| 9-1  | 6003-001435 | SCREW-TAPTITE              | HWH,+,;,S,M5,L12.7,ZPC(WHT),SWRCH18A,-                                          | 1        |        | SA     |
| 9-2  | 6011-001442 | BOLT-SOCKET                | M8,L13.4,ZPC(BLK),SCM435,-                                                      | 1        |        | SA     |
| 9-3  | 6021-001125 | NUT-HEXAGON                | 3,M8,P1.25,ZPC(BLK),SWRCH10A,-                                                  | 1        |        | SA     |
| 9-4  | DA61-04190A | HINGE-LOW R                | GUGGENHEIM,SHP1,T4.5,;,;,;,;                                                    | 1        |        | SA     |
| 9-5  | DA66-00559A | CAM HINGE-RISER LOW R      | GUGGENHEIM,NY-66,;,BLACK,;,;,;,;                                                | 1        |        | SA     |
| 10   | DA61-01871A | CASTER                     | A-TOP,NY-66,O.D-35MM,;,;,;,;                                                    | 2        |        | SA     |
| 11   | DA64-02605A | TRIM-BLADE                 | GUGGENHEIM,PVC,;,;,WHITE+GRAY,-                                                 | 1        |        | SA     |
| 12   | DA61-30102A | FOOT-FRONT                 | SR-F5670,PP,;,YEL,T0.6,-ZPC2-Y                                                  | 3        |        | SA     |
| 13   | DA97-06756A | ASSY COVER LEG FRONT       | GUGGENHEIM,;,T2.5,W98,L913,;,STS-KP(SC-07043R),-                                | 1        |        | SA     |
| 13-1 | DA62-01971A | SEAL-COVER LEG FRONT       | GUGGENHEIM,FOAM-PE,;,T12,W50,L53,-                                              | 1        |        | SA     |
| 14   | DA97-06123A | ASSY-CONDENSER             | GUGGENHEIM,SWST,;D3.76,OD4.76,;-                                                | 1        |        | SA     |
| 14-1 | 6006-001170 | SCREW-TAPPING              | TH,;,WT,TC,M4,L10,ZPC(WHT),SWRCH18A,-                                           | 4        |        | SA     |
| 15   | DA97-06122A | ASSY-FIN CONDENSER         | GUGGENHEIM,SWST,;D3.76,OD4.76,;-                                                | 1        |        | SA     |
| 16   | DA97-06508A | ASSY COVER-CONDENSER       | GUGGENHEIM,SBHG1,T1.0,;,;,;,;,;                                                 | 1        |        | SA     |
| 17   | DA97-06121A | ASSY CHASSIS-COMP          | GUGGENHEIM,SBHG1,T1.4,;,;,;,;                                                   | 1        |        | SA     |
| 17-1 | DA60-90146A | PIN-CASTER                 | MSWR10,OD6.0,L40,ZPC2,SR-289-4                                                  | 2        |        | SA     |
| 17-2 | DA61-40126B | CASTER-REAR                | REF-ALL,PP,;,PI 44,NTR,W22,-                                                    | 2        |        | SC     |
| 18   | DA97-06206A | ASSY TRAY-DRAIN WATER      | GUGGENHEIM,;,;,NTR,-                                                            | 1        |        | SA     |
| 18-1 | 6002-000520 | SCREW-TAPPING              | TH,;,;,2,M4,L12,ZPC(WHT),SWRCH18A,-                                             | 2        |        | SA     |
| 18-2 | DA62-01800A | SEAL-SUPPORT MOTOR         | GUGGENHEIM,FOAM-PE,;,T15,;,;,;                                                  | 1        |        | SA     |
| 18-3 | DA63-04186A | TRAY DRAIN-WATER           | GUGGENHEIM,PP,T2.0,;,;,;,;                                                      | 1        |        | SA     |
| 18-4 | DA63-04424A | GROMMET-COND SUB           | GUGGENHEIM,NBR,;,;,;,;,BLK,-                                                    | 2        |        | SA     |
| 19   | DA97-03870C | ASSY SUPPORT-CIRCUIT MOTOR | GUGGENHEIM,;,;,ASSY                                                             | 1        |        | SA     |
| 19-1 | DA31-00146B | MOTOR BLDC                 | DRCPS030LA,1560,;,DC12V,230mA,;,;,2.7W,ATOP,;,;,;,;                             | 1        |        | SA     |
| 19-2 | DA61-02355B | BRACKET-CIRCUIT MOTOR      | ABS,NEXT,;,;,NTR,-                                                              | 1        |        | SA     |
| 19-3 | DA61-02788A | SUPPORT-CIRCUIT MOTOR      | ET/A-TOP_VE,ABS,T2.0,;,;,;,;                                                    | 1        |        | SA     |

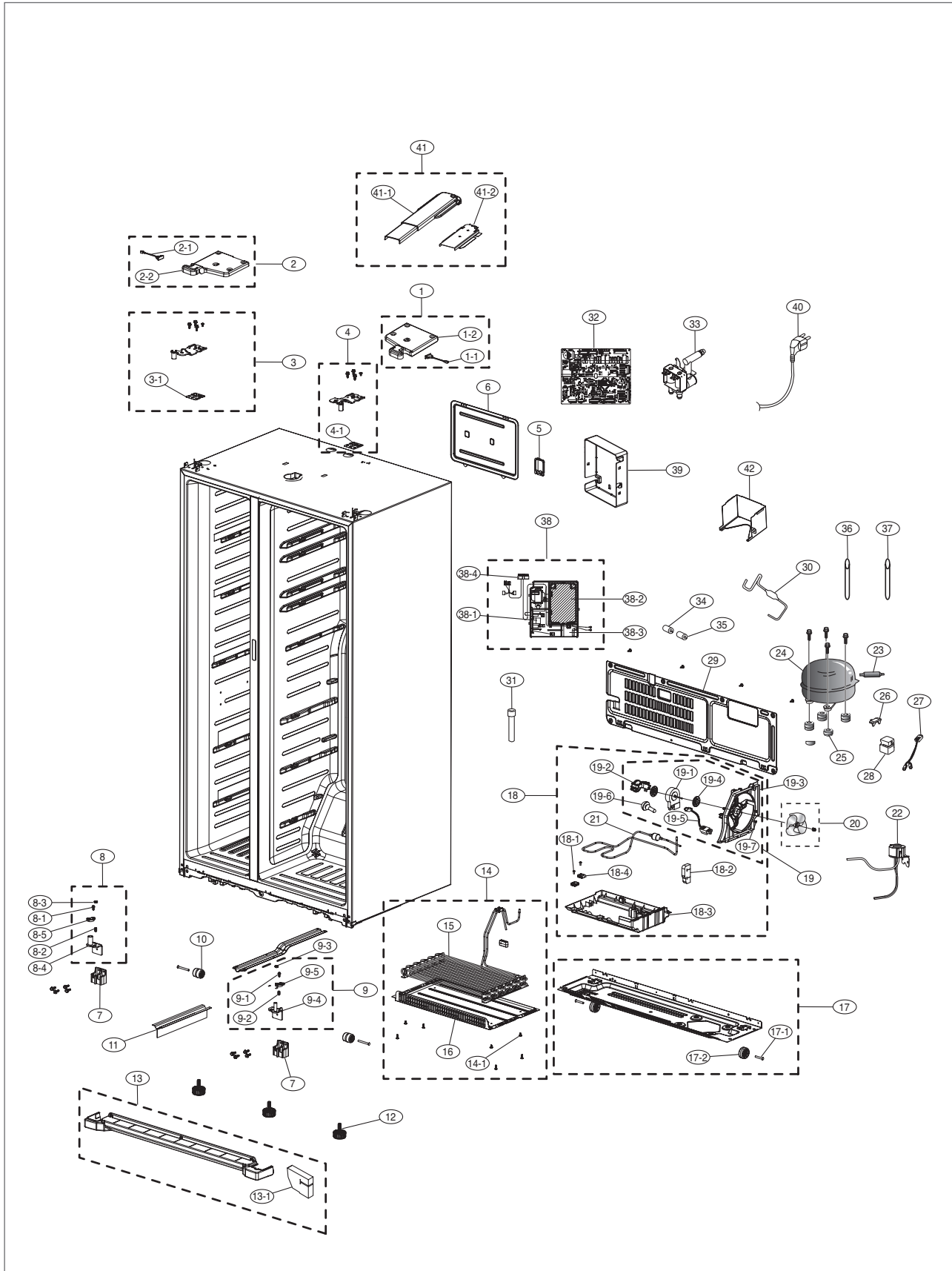
## EXPLODED VIEW & PART LIST

### ■ Parts List of Cabinet & Unit (RSG5\*\*)

| NO   | CODE-NO       | PART NAME                   | Spec                                                               | Quantity | Remark   | SA/SNA |
|------|---------------|-----------------------------|--------------------------------------------------------------------|----------|----------|--------|
| 19-4 | DA63-01146A   | GROMMET-MOTOR,REAR          | A-TOP,NBR,,,,ID6.5,OD42,BLK,BLDC                                   | 2        |          | SA     |
| 19-5 | DA96-00042A   | ASSY-HARNESS MOTOR          | A-TOP UL(MOTOR),C-FAN,350MM                                        | 1        |          | SA     |
| 19-6 | DA63-40167A   | GROMMET-COVER CHIL          | -,SILICON,T3.0,-,L16,-,BLACK,-                                     | 1        |          | SA     |
| 19-7 | 6003-000003   | SCREW-TAPTITE               | BH+,+,B,M4,L10,ZPC(BLK),SWRCH18A,-                                 | 2        |          | SA     |
| 20   | DA31-00010F   | FAN-ASSY                    | -,SBS,ABS+GLASS FIBER(GR-4010),*150,3-wings                        | 1        |          | SA     |
| 21   | DA97-06125A   | ASSY PIPE-CONDENSER SUB     | GUGGENHEIM,SWST,ID3.76,OD4.76                                      | 1        |          | SA     |
| 22   | DA97-06506B   | ASSY MOTOR-STEP VALVE       | GUGGENHEIM,SEAL ADD                                                | 1        |          | SA     |
| 23   | DA62-01514B   | DRYER                       | NEXT-PJT,C1220T,OD18.70,L114,,,,                                   | 1        |          | SA     |
| 24   | EU4A5QL2X/E01 | COMPRESSOR                  | 15.31CC,BLDC,R-600A                                                | 1        |          | SA     |
|      | BK190CL2C/E01 |                             | 115V-60HZ,BLDC,FAN,BK-II                                           | 1        |          | SA     |
| 25   | DA63-04430A   | GROMMET-COMP                | GUGGENHEIM,EPDM,,,,,BLACK,-                                        | 4        |          | SA     |
| 26   | DA34-00004C   | RELAY PROTECTOR O/L         | 4TM319SFBYY-82,BK190HL2X,ST_13.0A, U/T_3.10A,135,61                | 1        |          | SA     |
| 27   | DA39-00154D   | WIRE HARNESS-COMP           | GUGGENHEIM,PVC_TUBE,-,5,,,,,YLP-06V,,,,,360, 300,KS IEC 30/0.18,-, | 1        |          | SA     |
| 28   | DA63-01866A   | COVER RELAY                 | -,NORYL,T2.0,,,,,SSEC,BLACK,HOOK                                   | 1        |          | SA     |
| 29   | DA97-06124A   | ASSY COVER-COMP             | GUGGENHEIM,SBHG1,T0.3,,,,,                                         | 1        |          | SA     |
| 30   | DA97-02805A   | ASSY PIPE CONNECT-SUCTION   | USP05,ESSE                                                         | 1        |          | SA     |
| 31   | DA97-04049A   | ASSY CAP-DRAIN              | EPEL,ASSY,-,L224.5,-,SOFT-PVC                                      | 2        |          | SA     |
| 32   | DA41-00524B   | PBA MAIN                    | GUGGENHEIM-PJT, Dispenser+Home Bar+CONVERTIBLE, 120V, R-134a       | 1        | RSG5K*   | SA     |
|      | DA41-00524C   |                             | GUGGENHEIM-PJT, Dispenser+Home Bar, 120V, R-134a                   | 1        | RSG5F*   | SA     |
|      | DA41-00524D   |                             | GUGGENHEIM-PJT, Dispenser+Home Bar, 230V, R-600a                   | 1        | RSG5F*   | SA     |
|      | DA41-00524E   |                             | GUGGENHEIM-PJT, Dispenser+Home Bar+CONVERTIBLE, 230V, R-134a       | 1        | RSG5K*   | SA     |
|      | DA41-00524F   |                             | GUGGENHEIM-PJT, Dispenser or Dispenser+Home Bar, 230V, R-134a      | 1        | RSG5D/F* | SA     |
|      | DA41-00524G   |                             | GUGGENHEIM-PJT, Dispenser, 230V, R-600a                            | 1        | RSG5D*   | SA     |
| 33   | DA97-06642A   | ASSY VALVE WATER            | GUGGENHEIM,,,,,200-240V                                            | 1        |          | SA     |
|      | DA97-06642B   |                             | GUGGENHEIM,,,,,110-127V                                            | 1        |          | SA     |
| 34   | DA63-40171B   | GROMMET-SUCT PIPE A         | -,NBR,OD20,ID4,20,-,Brown,-                                        | 1        |          | SA     |
| 35   | DA63-40171D   | GROMMET-SUCT PIPE B         | RAIL L19.5,NR-,OD20,ID6,-,Brown,-                                  | 1        |          | SA     |
| 36   | DA73-10190U   | PIPE-CONNECT DISC,B         | TD-PJT,C1220-T,-,6.35,100,0.6,-,                                   | 1        |          | SA     |
| 37   | DA73-10190V   | PIPE-CONNECT DISC,A         | TD-PJT,C1220T 1/2H,-,4.76,100,0.6,-,                               | 1        |          | SA     |
| 38   | DA41-00552B   | CBA-PBA ASSY                | GGH,ASSY PCB BOX,DISP,,,,,CBA,220V, R-600a                         | 1        |          | SA     |
|      | DA41-00552C   |                             | GGH,ASSY PCB BOX,DISP,,,,,CBA,110V, R-134a                         | 1        |          | SA     |
|      | DA41-00552D   |                             | GGH,ASSY PCB BOX,DISP,,,,,CBA,220V, R-134a                         | 1        |          | SA     |
| 38-1 | DA27-00004C   | COIL FILTER-REACTOR         | Queen GE,7.5mH,0.6ohm,115,71.5*46*45,,,,,                          | 1        | R-600a   | SA     |
| 38-2 | DA27-00019E   | COIL FILTER-EMI             | GGH-PJT,20mH,40mΩ?,33*18*1,82*60,,,,,                              | 1        |          | SA     |
| 38-3 | DA41-00404A   | PBA SUB-PBA INVERTER        | 07*O INVERTER-PJ,REF TOP,FR-4,1.6T*148*98.5,-,220-230V,50/60Hz     | 1        | 230V     | SA     |
|      | DA41-00404B   |                             | 07*O INVERTER-PJ,REF TOP,FR-4,1.6T*148*98.5,-,110-120V,50/60Hz     | 1        | 110V     | SA     |
| 38-4 | DA61-04167A   | CASE-PCB PANEL INV          | GUGGENHEIM,ABS,,,,,NTR,INCOMBUSTIBLE                               | 1        |          | SA     |
| 38-5 | DA96-00443A   | ASSY W/HARNESS-INVERTER BOX | GUGGENHEIM,110V,DISPENSER,REACTOR                                  | 1        | 110V     | SA     |
|      | DA96-00443C   |                             | GUGGENHEIM,230V,DISPENSER,REACTOR                                  | 1        | 230V     | SA     |
| 39   | DA97-06839A   | ASSY COVER-PCB PANEL INV    | GUGGENHEIM,N-ABS,VH-0815,,,,,NTR,INCOMBUSTIBLE                     | 1        |          | SA     |
| 40   | DA39-10115A   | CBF-POWER CORD              |                                                                    | 1        |          | SA     |
| 41   | DA63-04517A   | COVER-HOUSING               | GUGGENHEIM,SBHG1,T0.6,W46,L65,,,,,                                 | 1        |          | SA     |

# EXPLODED VIEW & PART LIST

## 5-3-2) Cabinet & Unit (RSG25\*\*)



## EXPLODED VIEW & PART LIST

### ■ Parts List of Cabinet & Unit (RSG25\*\*)

| NO   | CODE-NO     | PART NAME                  | Spec                                                       | Quantity | Remark | SA/SNA |
|------|-------------|----------------------------|------------------------------------------------------------|----------|--------|--------|
| 1    | DA97-06654A | ASSY COVER HINGE-UPP R     | GGH-PJT,ASSY,T2.0,186.7,251.4,-,-,NOBLE GRAY,-             | 1        |        | SA     |
| 1-1  | DA34-00043C | SWITCH REED-ASS'Y          | 200VDC,1.5A,-                                              | 1        |        | SA     |
| 1-2  | DA63-04442A | COVER HINGE-UPP R          | GGH-PJT,ABS,T2.0,186.7,251.4,-,-,NOBLE GRAY(SC-02008R),EXP | 1        |        | SA     |
| 2    | DA97-06653A | ASSY COVER HINGE-UPP L     | GGH-PJT,ASSY,T2.0,186.7,251.4,-,-,NOBLE GRAY,-             | 1        |        | SA     |
| 2-1  | DA34-00043C | SWITCH REED-ASS'Y          | 200VDC,1.5A,-                                              | 1        |        | SA     |
| 2-2  | DA63-04442A | COVER HINGE-UPP L          | GGH-PJT,ABS,T2.0,186.7,251.4,-,-,NOBLE GRAY(SC-02008R),EXP | 1        |        | SA     |
| 3    | DA97-06155B | ASSY HINGE UPP-R           | GUGGENHEIM(EXP),T3.0,-,-,BLACK,-,-                         | 1        |        | SA     |
| 3-1  | DA63-50192A | SHIM-HINGE UPP             | -RD-PVC,T1.0,-,L360,-,-                                    | 1        |        | SA     |
| 4    | DA97-06156B | ASSY HINGE UPP-L           | GUGGENHEIM(EXP),T3.0,-,-,BLACK,-,-                         | 1        |        | SA     |
| 4-1  | DA63-50192A | SHIM-HINGE UPP             | -RD-PVC,T1.0,-,L360,-,-                                    | 1        |        | SA     |
| 5    | DA63-00586B | COVER-TUBE FILTER          | A-TOP,PP,-,W76,L83,-,-,NTR,-                               | 1        |        | SA     |
| 6    | DA97-06102C | ASSY COVER-PCB PANEL MAIN  | GUGGENHEIM,SBHG1,T0.6,110-127V,-,-,-,-,-                   | 1        |        | SA     |
| 7    | DA61-04215A | BRACKET HINGE-LOW          | GUGGENHEIM,AL,-,-,-,-,-                                    | 2        |        | SA     |
| 8    | DA97-06158A | ASSY HINGE LOW-L           | GUGGENHEIM,-,-,-,BLK,-,-                                   | 1        |        | SA     |
| 8-1  | 6003-001435 | SCREW-TAPTITE              | HWH,+,-,S,M5,L12.7,ZPC(WHT),SWRCH18A,-                     | 1        |        | SA     |
| 8-2  | 6011-001442 | BOLT-SOCKET                | M8,L13.4,ZPC(BLK),SCM435,-                                 | 1        |        | SA     |
| 8-3  | 6021-001125 | NUT-HEXAGON                | 3,M8, P1.25,ZPC(BLK),SWRCH10A,-                            | 1        |        | SA     |
| 8-4  | DA61-04191A | HINGE-LOW L                | GUGGENHEIM,SHP1,T4.5,-,-,-,-,-                             | 1        |        | SA     |
| 8-5  | DA66-00560A | CAM HINGE-RISER LOW L      | GUGGENHEIM,NY-66,-,-,BLACK,-,-,-,-                         | 1        |        | SA     |
| 9    | DA97-06157A | ASSY HINGE LOW-R           | GUGGENHEIM,-,-,-,BLK,-,-                                   | 1        |        | SA     |
| 9-1  | 6003-001435 | SCREW-TAPTITE              | HWH,+,-,S,M5,L12.7,ZPC(WHT),SWRCH18A,-                     | 1        |        | SA     |
| 9-2  | 6011-001442 | BOLT-SOCKET                | M8,L13.4,ZPC(BLK),SCM435,-                                 | 1        |        | SA     |
| 9-3  | 6021-001125 | NUT-HEXAGON                | 3,M8, P1.25,ZPC(BLK),SWRCH10A,-                            | 1        |        | SA     |
| 9-4  | DA61-04190A | HINGE-LOW R                | GUGGENHEIM,SHP1,T4.5,-,-,-,-,-                             | 1        |        | SA     |
| 9-5  | DA66-00559A | CAM HINGE-RISER LOW R      | GUGGENHEIM,NY-66,-,-,BLACK,-,-,-,-                         | 1        |        | SA     |
| 10   | DA61-01871A | CASTER                     | A-TOP,NY-66,O.D-35MM,-,-,-,-,-                             | 2        |        | SA     |
| 11   | DA64-02605A | TRIM-BLADE                 | GUGGENHEIM,PVC,-,-,-,WHITE+GRAY,-                          | 1        |        | SA     |
| 12   | DA61-30102A | FOOT-FRONT                 | SR-F5670,PP,-,YEL,T0.6,-,ZPC2-Y                            | 3        |        | SA     |
| 13   | DA97-06756A | ASSY COVER LEG FRONT       | GUGGENHEIM,-,T2.5,W98,L913,-,-,STS-KP(SC-07043R),-         | 1        |        | SA     |
| 13-1 | DA62-01971A | SEAL-COVER LEG FRONT       | GUGGENHEIM,FOAM-PE,-,T12,W50,L53,-                         | 1        |        | SA     |
| 14   | DA97-06123A | ASSY-CONDENSER             | GUGGENHEIM,SWST,ID3.76,OD4.76,-,-                          | 1        |        | SA     |
| 14-1 | 6006-001170 | SCREW-TAPPING              | TH,+,-,WT,TC,M4,L10,ZPC(WHT),SWRCH18A,-                    | 4        |        | SA     |
| 15   | DA97-06122A | ASSY-FIN CONDENSER         | GUGGENHEIM,SWST,ID3.76,OD4.76,-,-                          | 1        |        | SA     |
| 16   | DA97-06508A | ASSY COVER-CONDENSER       | GUGGENHEIM,SBHG1,T1.0,-,-,-,-,-                            | 1        |        | SA     |
| 17   | DA97-06121A | ASSY CHASSIS-COMP          | GUGGENHEIM,SBHG1,T1.4,-,-,-,-,-                            | 1        |        | SA     |
| 17-1 | DA60-90146A | PIN-CASTER                 | MSWR10,OD6.0,L40,ZPC2,SR-289-4                             | 2        |        | SA     |
| 17-2 | DA61-40126B | CASTER-REAR                | REF-ALL,PP,-,P1.44,NTR,W22,-                               | 2        |        | SC     |
| 18   | DA97-06206A | ASSY TRAY-DRAIN WATER      | GUGGENHEIM,-,-,-,NTR,-                                     | 1        |        | SA     |
| 18-1 | 6002-000520 | SCREW-TAPPING              | TH,+,-,2,M4,L12,ZPC(WHT),SWRCH18A,-                        | 2        |        | SA     |
| 18-2 | DA62-01800A | SEAL-SUPPORT MOTOR         | GUGGENHEIM,FOAM-PE,-,T15,-,-,-,-                           | 1        |        | SA     |
| 18-3 | DA63-04186A | TRAY DRAIN-WATER           | GUGGENHEIM,PP,T2.0,-,-,-,-,-                               | 1        |        | SA     |
| 18-4 | DA63-04424A | GROMMET-COND SUB           | GUGGENHEIM,NBR,-,-,-,-,-,BLK,-                             | 2        |        | SA     |
| 19   | DA97-03870C | ASSY SUPPORT-CIRCUIT MOTOR | GUGGENHEIM,-,-,-,-,ASSY                                    | 1        |        | SA     |
| 19-1 | DA31-00146B | MOTOR BLDC                 | DRCPS030LA,1560,-,DC12V,230mA,-,-,2.7W,ATOP,-,-,-,-,-      | 1        |        | SA     |
| 19-2 | DA61-02355B | BRACKET-CIRCUIT MOTOR      | ABS,NEXT,-,-,-,NTR,-                                       | 1        |        | SA     |
| 19-3 | DA61-02788A | SUPPORT-CIRCUIT MOTOR      | ET/A-TOP_VE,ABS,T2.0,-,-,-,-                               | 1        |        | SA     |
| 19-4 | DA63-01146A | GROMMET-MOTOR,REAR         | A-TOP,NBR,-,-,-,ID6.5,OD42,BLK,BLDC                        | 2        |        | SA     |

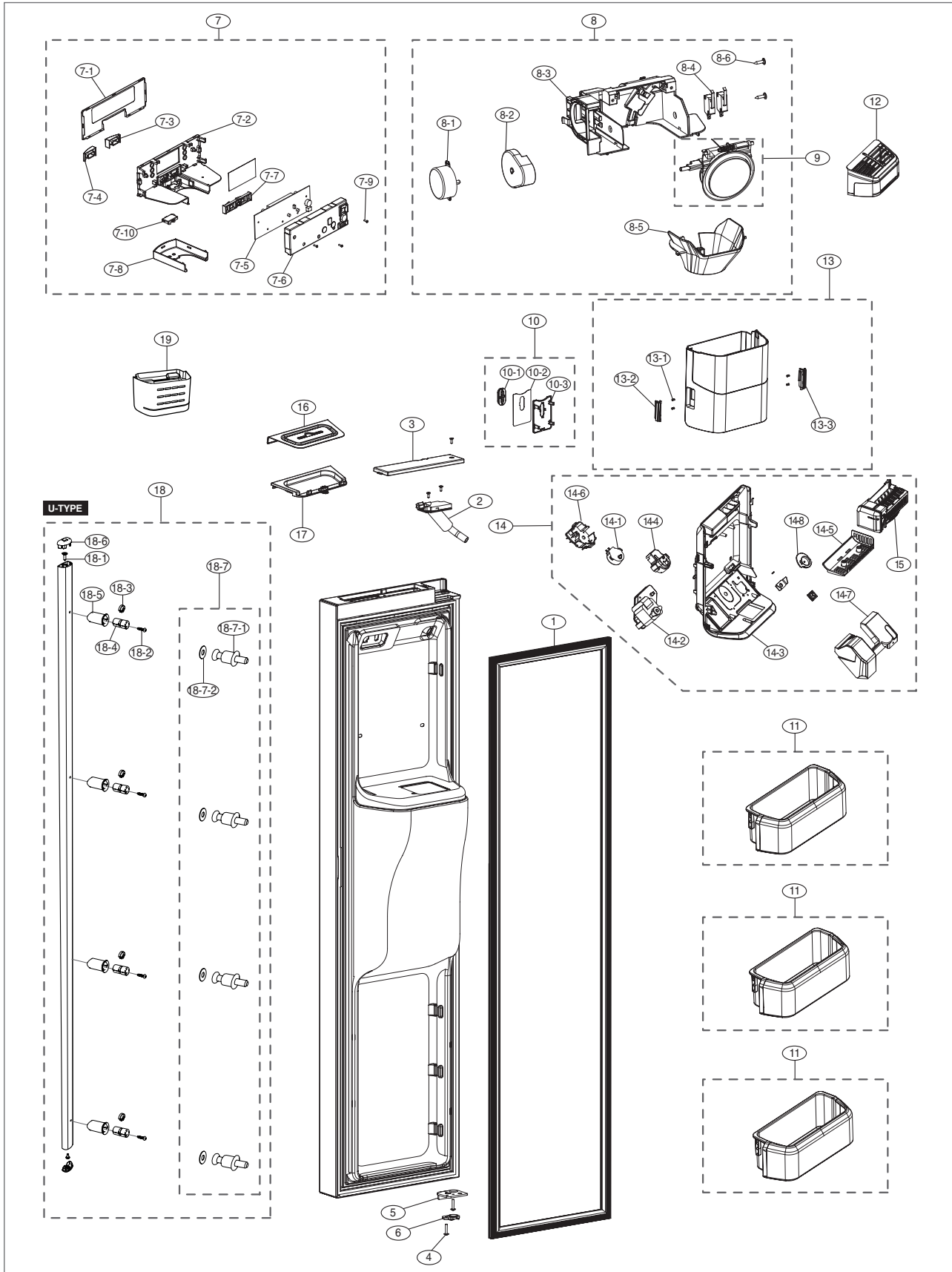
## EXPLODED VIEW & PART LIST

### ■ Parts List of Cabinet & Unit (RSG25\*\*)

| NO   | CODE-NO       | PART NAME                   | Spec                                                                      | Quantity | Remark | SA/SNA |
|------|---------------|-----------------------------|---------------------------------------------------------------------------|----------|--------|--------|
| 19-5 | DA96-00042A   | ASSY-HARNESS MOTOR          | A-TOP UL(MOTOR),C-FAN,350MM                                               | 1        |        | SA     |
| 19-6 | DA63-40167A   | GROMMET-COVER CHIL          | -,SILICON,T3.0,-,L16,-,BLACK-                                             | 1        |        | SA     |
| 19-7 | 6003-000003   | SCREW-TAPTITE               | BH,+,-,B,M4,L10,ZPC(BLK),SWRCH18A,-                                       | 2        |        | SA     |
| 20   | DA31-00010F   | FAN-ASS'Y                   | -,SBS,ABS+GLASS FIBER(GR-4010),*150,3-wings                               | 1        |        | SA     |
| 21   | DA97-06125A   | ASSY PIPE-CONDENSER SUB     | GUGGENHEIM,SWST,ID3.76,OD4.76                                             | 1        |        | SA     |
| 22   | DA97-06506B   | ASSY MOTOR-STEP VALVE       | GUGGENHEIM,SEAL ADD                                                       | 1        |        | SA     |
| 23   | DA62-01514B   | DRYER                       | NEXT-PJT,C1220T,OD18.70,L114,-,-,-                                        | 1        |        | SA     |
| 24   | BK190CL2C/E01 | COMPRESSOR                  | 115V-60HZ,BLDC,FAN,BK-II,R134a                                            | 1        |        | SA     |
| 25   | DA63-04430A   | GROMMET-COMP                | GUGGENHEIM,EPDM,-,-,-,-,BLACK-                                            | 4        |        | SA     |
| 26   | DA34-00004D   | RELAY PROTECTOR O/L         | 4TM445PHBY-82,BK190CL2X,ST_19.0A,U/T_4.76A,125,69                         | 1        |        | SA     |
| 27   | DA39-00154D   | WIRE HARNESS-COMP           | GUGGENHEIM,PVC_TUBE,-,5,-,-,-,YLP-06V,-,-,-,360,300,KS IEC 30/0.18,-,-    | 1        |        | SA     |
| 28   | DA63-01866A   | COVER RELAY                 | -,NORYL,T2.0,-,-,-,SSEC,BLACK,HOOK                                        | 1        |        | SA     |
| 29   | DA97-06124A   | ASSY COVER-COMP             | GUGGENHEIM,SBHG1,T0.3,-,-,-,-,-                                           | 1        |        | SA     |
| 30   | DA97-02805A   | ASSY PIPE CONNECT-SUCTION   | USP05,ESSE                                                                | 1        |        | SA     |
| 31   | DA97-04049A   | ASSY CAP-DRAIN              | EPEL,ASSY,-,-,L224.5,-,SOFT-PVC                                           | 2        |        | SA     |
| 32   | DA41-00524A   | PBA MAIN                    | GUGGENHEIM-PJT, TOP OF REF,FR-1,247*197, 1.6T,Dispenser,115V/220V,50/60Hz | 1        |        | SA     |
| 33   | DA97-06642B   | ASSY VALVE WATER            | GUGGENHEIM,-,-,-,110-127V                                                 | 1        |        | SA     |
| 34   | DA63-40171B   | GROMMET-SUCT PIPE A         | -,NBR,OD20,ID4,L20,-,-,Brown,-                                            | 1        |        | SA     |
| 35   | DA63-40171D   | GROMMET-SUCT PIPE B         | RAIL L19.5,NR,-,OD20,ID6,-,-,Brown,-                                      | 2        |        | SA     |
| 36   | DA73-10190U   | PIPE-CONNECT DISC,B         | TD-PJT,C1220-T,-,6.35,100,0.6,-,-                                         | 1        |        | SA     |
| 37   | DA73-10190V   | PIPE-CONNECT DISC,A         | TD-PJT,C1220T 1/2H,-,4.76,100,0.6,-,-                                     | 1        |        | SA     |
| 38   | DA41-00552C   | CBA-PBA ASSY                | GGH,ASSY PCB BOX,DISP,-,-,-,CBA,R134a,110V                                | 1        |        | SA     |
| 38-1 | DA27-00019E   | COIL FILTER-EMI             | GGH-PJT,20mH,40mBY,33*æ1,82*60,-,-,-,-,-                                  | 1        |        | SA     |
| 38-2 | DA41-00404B   | PBA SUB-PBA INVERTER        | GUGGENHEIM-PJT, TOP,FR-1,1.6T*148*98.5,-,110V,50 or 60Hz                  | 1        |        | SA     |
| 38-3 | DA61-04167A   | CASE-PCB PANEL INV          | GUGGENHEIM,ABS,-,-,-,NTR,INCOMBUSTIBLE                                    | 1        |        | SA     |
| 38-4 | DA96-00443A   | ASSY W/HARNESS-INVERTER BOX | GUGGENHEIM,100-240V                                                       | 1        |        | SA     |
| 39   | DA97-06839A   | ASSY COVER-PCB PANEL INV    | GUGGENHEIM,N-ABS,VH-0815,-,-,-,-,NTR,INCOMBUSTIBLE                        | 1        |        | SA     |
| 40   | DA39-10165D   | CBF-POWER CORD              | SVT-3,125V,15A,2100,SVT-3,-,UL,CSA,HOUSING,3P,SVT-3,-,2100                | 1        |        | SA     |
| 41   | DA97-06765A   | ASSY COVER-HOUSING FRE UPP  | GGH-PJT,ASSY,T2.0,W96.5,L419,-,-,NOBLE GRAY,-                             | 1        |        | SA     |
| 41-1 | DA63-04486A   | COVER-HOUSING FRE UPP       | GGH-PJT,T2.0,W96.5,L419,-,-,NOBLE GRAY,-                                  | 1        |        | SA     |
| 41-2 | DA61-04536A   | PLATE-HOUSING FRE UPP       | GGH-PJT,SBHG1,T0.4,W59.5,L131,-,-                                         | 1        |        | SA     |
| 42   | DA63-04517A   | COVER-HOUSING               | GUGGENHEIM,SBHG1,T0.6,W46,L65,-,-,-,-                                     | 1        |        | SA     |

# EXPLODED VIEW & PART LIST

## 5-4-1) Freezer Door (RSG5\*\*)





## EXPLODED VIEW & PART LIST

### ■ Parts List of Freezer Door (RSG5\*\*)

| NO   | CODE-NO     | PART NAME                 | Spec                                                                           | Quantity | Remark | SA/SNA |
|------|-------------|---------------------------|--------------------------------------------------------------------------------|----------|--------|--------|
| 1    | DA97-04568N | ASSY-GASKET DOOR FRE      | GUGGENHEIM,SC-97487,-,-                                                        | 1        |        | SA     |
| 2    | DA97-06542A | ASSY PIPE-WATER ICE       | GUGGENHEIM(EXP),230V,IN DOOR ICE MAKER                                         | 1        |        | SA     |
|      | DA97-06542B |                           | GUGGENHEIM(EXP),120V,IN DOOR ICE MAKER                                         | 1        |        | SA     |
| 3    | DA63-04341A | COVER-CAP DOOR FRE        | GUGGENHEIM,ABS,-,W61.3,L240,-,-,NOBLE GRAY(SC-02008R),GLOSSY                   | 1        |        | SA     |
| 4    | 6001-001377 | SCREW-MACHINE             | TH,+,-,M5,L25,ZPC(WHT),SWRCH18A,FP,-                                           | 3        |        | SA     |
| 5    | DA61-04195A | STOPPER-DOOR L            | GUGGENHEIM,SH,P1,T3.0,,-,-,-                                                   | 1        |        | SA     |
| 6    | DA66-00558A | CAM HINGE-RISER UPP L     | GUGGENHEIM,NY-66,-,-,BLACK,-,-,-,-                                             | 1        |        | SA     |
| 7    | DA97-06477A | ASSY COVER-DISPENSER      | GUGGENHEIM,-,-,W239.3,L83.8,-,-,-,COATED,STS                                   | 1        |        | SA     |
| 7-1  | DA61-04384A | PLATE-COVER DISPENSER     | GUGGENHEIM,STS430,T0.5,W239.3,L83.8,REAL-STAINLESS,COATED                      | 1        |        | SA     |
| 7-2  | DA63-04367A | COVER-DISPENSER           | GUGGENHEIM,ABS,-,W235.1,L83,-,-,VERSAILLES STS,-                               | 1        |        | SA     |
| 7-3  | DA64-02566A | BUTTON-ICE DISPENSER      | AW2,ABS,42.6*23.0,-,-,HAIRLINE                                                 | 1        |        | SA     |
| 7-4  | DA64-02567A | BUTTON-WATER DISPENSER    | AW2,ABS,42.6*23.0,-,-,HAIRLINE                                                 | 1        |        | SA     |
| 7-5  | DA41-00522B | PBA DISPLAY-LED PANEL PBA | GUGGENHEIM-PJT,F-DOOR,FR-4,204*74*11.6,Blue LED, Dispenser, °C,12V, 5V,60Hz    | 1        |        | SA     |
| 7-6  | DA63-04361A | COVER-PCB PANEL REAR      | GUGGENHEIM,ABS,-,W216.1,L75.1,-,-,NTR,-                                        | 1        |        | SA     |
| 7-7  | DA63-04482A | GROMMET-BUTTON CONTROL    | GUGGENHEIM,SILICON,-,W98.0,L22.7,-,-,GRAY,-                                    | 1        |        | SA     |
| 7-8  | DA64-02596A | DECORATION-FAUCET         | GUGGENHEIM,AL,-,W87.4,L119.9,-,-,-                                             | 1        |        | SA     |
| 7-9  | 6003-000333 | SCREW-TAPTITE             | RH,+,-,2S,M3,L10,ZPC(WHT),SWRCH18A,-                                           | 3        |        | SA     |
| 7-10 | DA97-02847A | ASSY-LAMP DOOR            | EPEL,LED TYPE,-,-                                                              | 1        |        | SA     |
| 8    | DA97-06473A | ASSY CASE-ICE ROUTE       | GUGGENHEIM,AC220240,-,-,-,-                                                    | 1        |        | SA     |
|      | DA97-06473B |                           | GUGGENHEIM,-,-,-,AC120V, 60Hz                                                  | 1        |        | SA     |
| 8-1  | DA31-00079A | MOTOR GEARED-DISP         | 15.2/18.2 rpm,50/60Hz,-,220-240V,less 20mA,-,-,CCW/8 pole,-,MVLB15AR81,E-PEL   | 1        |        | SA     |
|      | DA31-00079B | MOTOR GEARED              | 18RPM,2.0kgf.cm,-,120V,40mA,-,-,-,AW-PJT                                       | 1        |        | SA     |
| 8-2  | DA66-00309A | CAM-GEAR MOTOR            | QUEEN,POM,-,-,NTR,-,-,-,-                                                      | 1        |        | SA     |
| 8-3  | DA61-04373A | CASE-ICE ROUTE            | GUGGENHEIM,ABS,-,W170.5,L83.9,EMPIRE BLACK,-                                   | 1        |        | SA     |
| 8-4  | DA34-00011B | SWITCH MICRO              | -,-,-,250V,-,15A,-,-,-,Max 200g,-,Max15mV,-,-,-                                | 2        |        | SA     |
| 8-5  | DA61-04377A | GUIDE-ICE DISPENSER       | GUGGENHEIM,ABS,-,W124.0,L65.2,TRANSPARENCY,-                                   | 1        |        | SA     |
| 8-6  | 6002-001364 | SCREW-TAPPING             | FH,+,-,1,M4,L14,CR PLT,SWRCH18A,-                                              | 2        |        | SA     |
| 9    | DA97-00883E | ASSY COVER-ICE ROUTE      | QUEEN-PJT,-,-,-,-,-,-,-                                                        | 1        |        | SA     |
| 10   | DA97-06479A | ASSY COVER-MICRO SWITCH   | GUGGENHEIM,-,-,W86.L118.9,-,-,REAL STAINLESS,COATED,STS                        | 1        |        | SA     |
| 10-1 | DA66-00600C | LEVER-PUSH                | GUGGENHEIM,SILICON,T0.5,W29.3,L60.3,-,COOL GRAY 11,SC-1006                     | 1        |        | SA     |
| 10-2 | DA61-04390A | PLATE-COVER SWITCH        | GUGGENHEIM,STS430,T0.5,W83.7,L116.6,REAL-STAINLESS,COATED                      | 1        |        | SA     |
| 10-3 | DA63-04366A | COVER-MICRO SWITCH        | GUGGENHEIM,ABS,-,W86.L118.9,-,-,VERSAILLES STS,-                               | 1        |        | SA     |
| 11   | DA97-06194C | ASSY GUARD FRE-MID        | GUGGENHEIM,-,-,-,Dark Gray,Coolgray 9C,FRONT PRINTING(2STAR)                   | 3        |        | SA     |
| 12   | DA97-06568A | ASSY COVER-ICE MAKER      | GUGGENHEIM(EXP),-,-,-,-,-,COOL WHITE(SC-02740R),IN DOOR ICE MAKER              | 1        |        | SA     |
| 13   | DA97-06569A | ASSY TRAY-ICE BUCKET      | GUGGENHEIM(EXP),-,-,-,-,-,COOL WHITE(SC-02740R),IN DOOR ICE MAKER              | 1        |        | SA     |
| 13-1 | DA61-04378A | SPRING ETC-BUCKET LEVER   | GUGGENHEIM,STS304,D0.7,4.5,4,10.6,-,-,-,-                                      | 4        |        | SA     |
| 13-2 | DA66-00587A | LEVER-BUCKET L            | GUGGENHEIM,ABS,29.8,76.7,19.4,-,COOL WHITE(SC02740R)-                          | 1        |        | SA     |
| 13-3 | DA66-00588A | LEVER-BUCKET R            | GUGGENHEIM,ABS,29.8,76.7,19.4,-,COOL WHITE(SC02740R)-                          | 1        |        | SA     |
| 14   | DA97-06570C | ASSY CASE-AUGER MOTOR     | GGH(EXP),COOL WHITE,IN DOOR ICE MAKER,230V                                     | 1        |        | SA     |
|      | DA97-06570D |                           | GGH(EXP),COOL WHITE,IN DOOR ICE MAKER,120V                                     | 1        |        | SA     |
| 14-1 | DA31-00079A | MOTOR GEARED-DISP         | 15.2/18.2 rpm,50/60Hz,-,220-240V,less 20mA,-,-,CW/8 pole,-,MVL15AR11,QUEEN-PJT | 1        |        | SA     |
|      | DA31-00079B |                           | 18,60,-,120V,40,-,-,-,-,GEARED MOTOR                                           | 1        |        | SA     |
| 14-2 | DA31-00210B | MOTOR GEARED-AUGER        | ISG-3245SSB,-,-,1/201.5,230,-,14.3,1.6,45T,75kgf.cm,-                          | 1        |        | SA     |
|      | DA31-00210A |                           | ISG-3245SSA,-,-,1/201.5,120,-,17.5,2.2,45T,80kgf.cm,-                          | 1        |        | SA     |
| 14-3 | DA61-04363A | CASE-AUGER MOTOR          | GUGGENHEIM,ABS,171.8,415.9,291.0,COOL WHITE(SC02740R),SR-0340M                 | 1        |        | SA     |
| 14-4 | DA63-01412A | COVER-MOTOR GEARED        | QUEEN,ABS,-,-,-,-,NTR,-                                                        | 1        |        | SA     |
| 14-5 | DA63-04355A | COVER-HEATER ICE MAKER    | GUGGENHEIM,ABS,47.7,182.5,82.3,-,-,COOL WHT,SR-0340M                           | 1        |        | SA     |
| 14-6 | DA63-04356A | COVER-MOTOR GEARED FRONT  | GUGGENHEIM,PP,H16,91.5,84,-,-,-,-                                              | 1        |        | SA     |
| 14-7 | DA63-04362A | COVER-MOTOR AUGER SUB     | GUGGENHEIM,N-ABS,-,244.3,115.5,-,-,COOL WHITE(SC02740R)-                       | 1        |        | SA     |
| 14-8 | DA66-00589A | CAM-LEVER CUBE            | GUGGENHEIM,POM,T17.9,365,WHITE,-,-,-,-                                         | 1        |        | SA     |

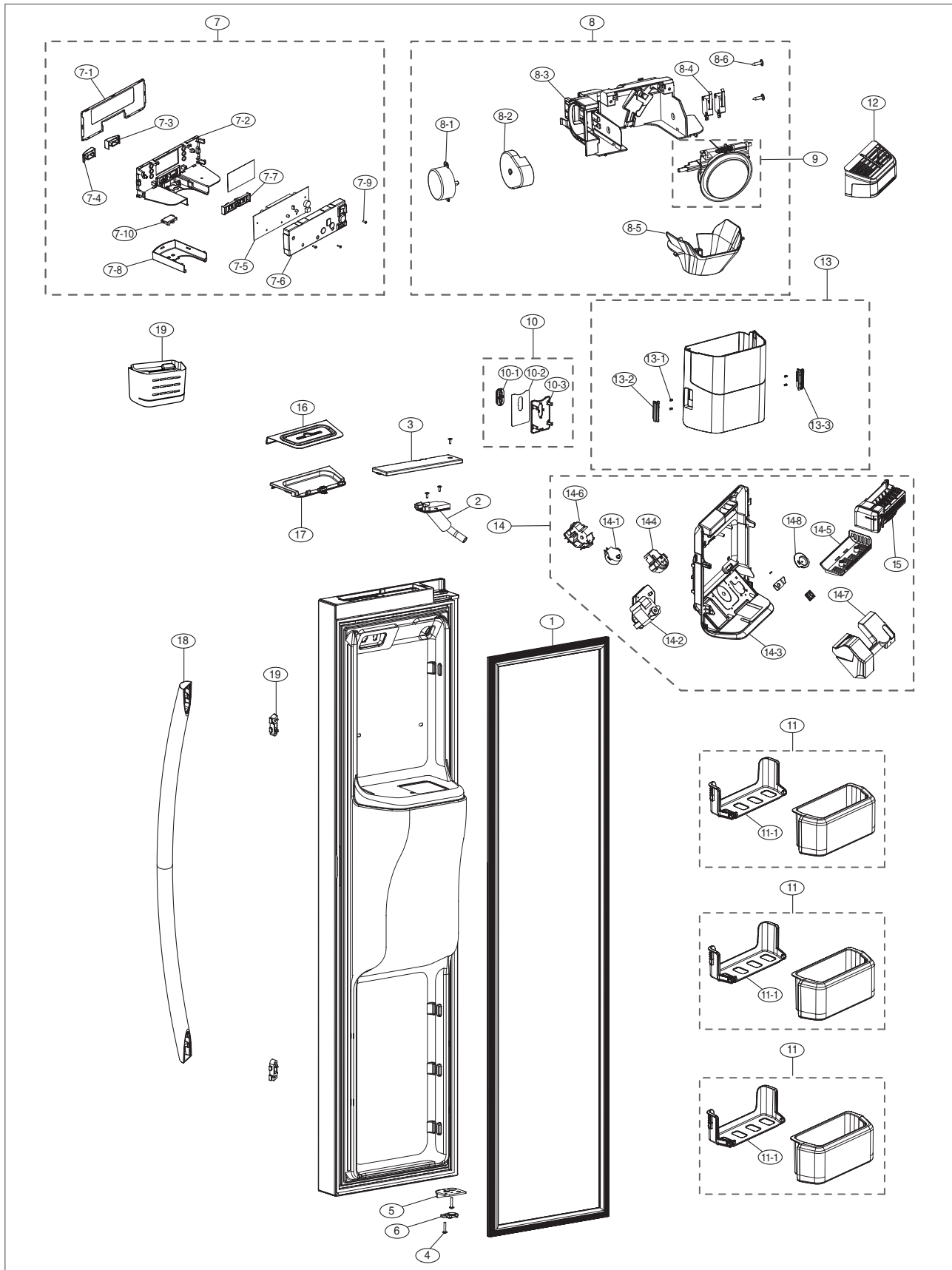
## EXPLODED VIEW & PART LIST

### ■ Parts List of Freezer Door (RSG5\*\*)

| NO     | CODE-NO     | PART NAME           | Spec                                                                                          | Quantity | Remark | SA/SNA |
|--------|-------------|---------------------|-----------------------------------------------------------------------------------------------|----------|--------|--------|
| 15     | DA97-06364A | ASSY ICE MAKER      | In-Door Ice Maker,230V,50Hz,-,-,-                                                             | 1        |        | SA     |
|        | DA97-06364B |                     | In-Door Ice Maker,115V,60Hz,-,-,-                                                             | 1        |        | SA     |
| 16     | DA97-06768A | ASSY TRAY-DISP      | GUGGENHEIM,TO.6,W238.7,L108.9,REAL STS,COATED                                                 | 1        |        | SA     |
| 17     | DA61-04386D | CASE-TRAY DISPENSER | GUGGENHEIM,ABS,-,W237.6,L106.6,NOBLE GRAY,-                                                   | 1        |        | SA     |
| 18     | DA97-06632A | ASSY HANDLE-BAR     | GUGGENHEIM(EPI),AL,T1.5,W321.1679.5,VERTICAL SILVER,SC:060347(INOX),REAL STS,MANHATTAN SILVER | 1        |        | SA     |
| 18-1   | 6002-000213 | SCREW-TAPPING       | TH,+,-,1,M4,L12,ZPC(WHT),SWRCH18A,-                                                           | 2        |        | SA     |
| 18-2   | 6009-001512 | SCREW-SPECIAL       | BH,+,-,M4,L16,ZPC(WHT),SWRCH18A,1,DRILLING TAPPING                                            | 4        |        | SA     |
| 18-3   | DA61-03636A | STOPPER-HANDLE      | CULLINAN,SK5,-,-,-,-,-                                                                        | 4        |        | SA     |
| 18-4   | DA61-03726A | SUPPORT-HANDLE      | HERMES,NY66,-,-,-,NTR,-                                                                       | 4        |        | SA     |
| 18-5   | DA67-01809F | CAP-SUPT HANDLE     | JM,ABS,-,-,-,SC-07019S(INOX),ONE TOUCH                                                        | 4        |        | SA     |
| 18-6   | DA67-02051A | CAP-HANDLE          | GUGGENHEIM,ABS,52.0,W31.8,L17.8,NTR,AL(SILVER)                                                | 2        |        | SA     |
| 18-7   | DA97-05529C | ASSY-BRACKET HANDLE | HERMES-PJT,SWCH10A,-,-,-                                                                      | 4        |        | SA     |
| 18-7-1 | DA61-03725B | BRACKET-HANDLE      | HERMES,SWCH10A,-,-,-,L31,-,-                                                                  | 1        |        | SA     |
| 18-7-2 | DA63-03840A | GROMMET-HANDLE      | HERMES,SILICON,T1,-,-,-,-,NTR,DISP, 40°Δ                                                      | 1        |        | SA     |
| 19     | DA63-04485A | GUARD FRE-UPP       | GUGGENHEIM,ABS,-,W300,L176,COOL-WHITE,-                                                       | 1        |        | SA     |

# EXPLODED VIEW & PART LIST

## 5-4-2 Freezer Door (RSG25\*\*)



## EXPLODED VIEW & PART LIST

### ■ Parts List of Freezer Door (RSG25\*\*)

| NO   | CODE-NO     | PART NAME                 | Spec                                                                    | Quantity | Remark | SA/SNA |
|------|-------------|---------------------------|-------------------------------------------------------------------------|----------|--------|--------|
| 1    | DA97-04568N | ASSY-GASKET DOOR FRE      | GUGGENHEIM,SC-97487,-,-                                                 | 1        |        | SA     |
| 2    | DA97-06542B | ASSY PIPE-WATER ICE       | GUGGENHEIM(EXP),120V,IN DOOR ICE MAKER                                  | 1        |        | SA     |
| 3    | DA63-04341A | COVER-CAP DOOR FRE        | GUGGENHEIM,ABS,-,W61.3,L240,-,-,NOBLE GRAY(SC-02008R),-                 | 1        |        | SA     |
| 4    | 6001-001377 | SCREW-MACHINE             | TH,-,-,M5,L25,ZPC(WHT),SWRCH18A,FP,-                                    | 3        |        | SA     |
| 5    | DA61-04195A | STOPPER-DOOR L            | GUGGENHEIM,SP1,T3.0,-,-,-                                               | 1        |        | SA     |
| 6    | DA66-00558A | CAM HINGE-RISER UPP L     | GUGGENHEIM,NY-66,-,-,BLACK,-,-,-                                        | 1        |        | SA     |
| 7    | DA97-06477B | ASSY COVER-DISPENSER      | GUGGENHEIM,-,-,W239.3,L83.8,-,-,-,UNCOATED,STS                          | 1        |        | SA     |
| 7-1  | DA61-04384B | PLATE-COVER DISPENSER     | GUGGENHEIM,STSD11,T0.5,W239.3,L83.8,REAL-STAINLESS,UNCOATED             | 1        |        | SA     |
| 7-2  | DA63-04367A | COVER-DISPENSER           | GUGGENHEIM,ABS,-,W235.1,L83,-,-,VERSAILLES STS,-                        | 1        |        | SA     |
| 7-3  | DA64-02566A | BUTTON-ICE DISPENSER      | AW2,ABS,42.6*23.0,-,-,HAIRLINE                                          | 1        |        | SA     |
| 7-4  | DA64-02567A | BUTTON-WATER DISPENSER    | AW2,ABS,42.6*23.0,-,-,HAIRLINE                                          | 1        |        | SA     |
| 7-5  | DA41-00522A | PBA DISPLAY-LED PANEL PBA | GUGGENHEIM-PJT,F-DOOR,FR-4,204*74*11.6,Blue LED,Dispenser,F,12V,5V,60Hz | 1        |        | SA     |
| 7-6  | DA63-04361A | COVER-PCB PANEL REAR      | GUGGENHEIM,ABS,-,W216.1,L75.1,-,-,NTR,-                                 | 1        |        | SA     |
| 7-7  | DA63-04482A | GROMMET-BUTTON CONTROL    | GUGGENHEIM,SILICON,-,W98.0,L22.7,-,-,GRAY,-                             | 1        |        | SA     |
| 7-8  | DA64-02596A | DECORATION-FAUCET         | GUGGENHEIM,AL,-,W87.4,L119.9,-,-,-                                      | 1        |        | SA     |
| 7-9  | DA97-02847A | ASSY-LAMP DOOR            | EPEL,LED TYPE,-,-                                                       | 1        |        | SA     |
| 7-10 | 6003-000333 | SCREW-TAPTITE             | RH,-,-,2S,M3,L10,ZPC(WHT),SWRCH18A,-                                    | 3        |        | SA     |
| 8    | DA97-06473B | ASSY CASE-ICE ROUTE       | GUGGENHEIM,-,-,-,AC120V,60Hz                                            | 1        |        | SA     |
| 8-1  | DA31-00079B | MOTOR GEARED-DISP         | -,18RPM,2.0kgf.cm,-,120V,40mA,-,-,-,AW-PJT                              | 1        |        | SA     |
| 8-2  | DA66-00309A | CAM-GEAR MOTOR            | QUEEN,POM,-,-,NTR,-,-,-                                                 | 1        |        | SA     |
| 8-3  | DA61-04373A | CASE-ICE ROUTE            | GUGGENHEIM,ABS,-,W170.5,L83.9,EMPIRE BLACK,-                            | 1        |        | SA     |
| 8-4  | DA34-00011B | SWITCH MICRO              | -,-,-,250V,-,15A,-,-,-,Max 200g,-,Max 15mBY,-,-,-                       | 2        |        | SA     |
| 8-5  | DA61-04377A | GUIDE-ICE DISPENSER       | GUGGENHEIM,ABS,-,W124.0,L65.2,TRANSPARENCY,-                            | 1        |        | SA     |
| 8-6  | 6002-001364 | SCREW-TAPPING             | FH,-,-,1,M4,L14,CR PLT,SWRCH18A,-                                       | 2        |        | SA     |
| 9    | DA97-00883E | ASSY COVER-ICE ROUTE      | QUEEN-PJT,-,-,-,-,-,-                                                   | 1        |        | SA     |
| 10   | DA97-06479B | ASSY COVER-MICRO SWITCH   | GUGGENHEIM,-,-,W86.1,L118.9,-,-,REAL STAINLESS,UNCOATED,STS             | 1        |        | SA     |
| 10-1 | DA61-04390B | PLATE-COVER SWITCH        | GUGGENHEIM,STSD11,T0.5,W83.7,L116.6,REAL STAINLESS,UNCOATED             | 1        |        | SA     |
| 10-2 | DA63-04366A | COVER-MICRO SWITCH        | GUGGENHEIM,ABS,-,W86.1,L118.9,-,-,VERSAILLES STS,-                      | 1        |        | SA     |
| 10-3 | DA66-00600C | LEVER-PUSH                | GUGGENHEIM,SILICON,T0.5,W29.3,L60.3,-,-,COOL GRAY 11,SC-1006            | 1        |        | SA     |
| 11   | DA97-06180B | ASSY GUARD-TILT FRE       | GUGGENHEIM,-,-,-,Dark Gray,Coolgray 9C,FRONT PRINTING                   | 3        |        | SA     |
| 11-1 | DA61-04219A | SUPPORT-GUARD TILT FRE    | GUGGENHEIM,HIPS,-,-,-,COOL-WHITE,-                                      | 1        |        | SNA    |
| 12   | DA97-06568A | ASSY COVER-ICE MAKER      | GUGGENHEIM(EXP),-,-,-,-,-,COOL WHITE(SC-02740R),IN DOOR ICE MAKER       | 1        |        | SA     |
| 13   | DA97-06569A | ASSY TRAY-ICE BUCKET      | GUGGENHEIM(EXP),-,-,-,-,-,COOL WHITE(SC-02740R),IN DOOR ICE MAKER       | 1        |        | SA     |
| 13-1 | DA61-04378A | SPRING ETC-BUCKET LEVER   | GUGGENHEIM,STS304,D0.7,4.5,4,10.6,-,-,-                                 | 4        |        | SA     |
| 13-2 | DA66-00587A | LEVER-BUCKET L            | GUGGENHEIM,ABS,29.8,76.7,19.4,-,-,COOL WHITE(SC02740R),-                | 1        |        | SA     |
| 13-3 | DA66-00588A | LEVER-BUCKET R            | GUGGENHEIM,ABS,29.8,76.7,19.4,-,-,COOL WHITE(SC02740R),-                | 1        |        | SA     |
| 14   | DA97-06570B | ASSY CASE-AUGER MOTOR     | GUGGENHEIM(EXP),-,-,-,-,-,COOL WHITE(SC-02740R),IN DOOR ICE MAKER       | 1        |        | SA     |
| 14-1 | DA31-00079B | MOTOR GEARED-DISP         | 18,60,-,120V,40,-,-,-,GEARED MOTOR                                      | 1        |        | SNA    |
| 14-2 | DA31-00210A | MOTOR GEARED-AUGER        | ISG-3245SSA,-,-,1/201.5,120,-,17.5,2.2,45T,80kgf.cm,-                   | 1        |        | SA     |
| 14-3 | DA61-04363A | CASE-AUGER MOTOR          | GUGGENHEIM,ABS,171.8,415.9,291.0,COOL WHITE(SC02740R),SR-0340M          | 1        |        | SA     |
| 14-4 | DA63-01412A | COVER-MOTOR GEARED        | QUEEN,ABS,-,-,-,-,NTR,-                                                 | 1        |        | SA     |
| 14-5 | DA63-04355A | COVER-HEATER ICE MAKER    | GUGGENHEIM,ABS,47.7,182.5,82.3,-,-,COOL WHT,SR-0340M                    | 1        |        | SA     |
| 14-6 | DA63-04356A | COVER-MOTOR GEARED FRONT  | GUGGENHEIM,PP,H16,91.5,84,-,-,-,-                                       | 1        |        | SA     |
| 14-7 | DA63-04362A | COVER-MOTOR AUGER SUB     | GUGGENHEIM,N-ABS,-,244.3,115.5,-,-,COOL WHITE(SC02740R),-               | 1        |        | SA     |
| 14-8 | DA66-00589A | CAM-LEVER CUBE            | GUGGENHEIM,POM,T17.9,365,WHITE,-,-,-                                    | 1        |        | SA     |
| 15   | DA97-06364B | ASSY ICE MAKER            | In-Door Ice Maker,115V,60Hz,-,-                                         | 1        |        | SA     |
| 16   | DA97-06768B | ASSY TRAY-DISPENSER       | GUGGENHEIM,T0.6,W238.7,L108.9,REAL STS,UNCOATED                         | 1        |        | SA     |
| 17   | DA61-04386D | CASE-TRAY DISPENSER       | GUGGENHEIM,ABS,-,W237.6,L106.6,NOBLE GRAY,-                             | 1        |        | SA     |
| 18   | DA97-06634A | ASSY HANDLE-TUBE          | GUGGENHEIM,-,-,W30.5,L878.9,-,-,STS304                                  | 1        |        | SA     |
|      | DA97-06634B |                           | GUGGENHEIM,-,-,W30.5,L878.9,-,-,BMC,WHITE                               | 1        |        | SA     |
|      | DA97-06634C |                           | GUGGENHEIM,-,-,W30.5,L878.9,-,-,BMC,BLACK                               | 1        |        | SA     |

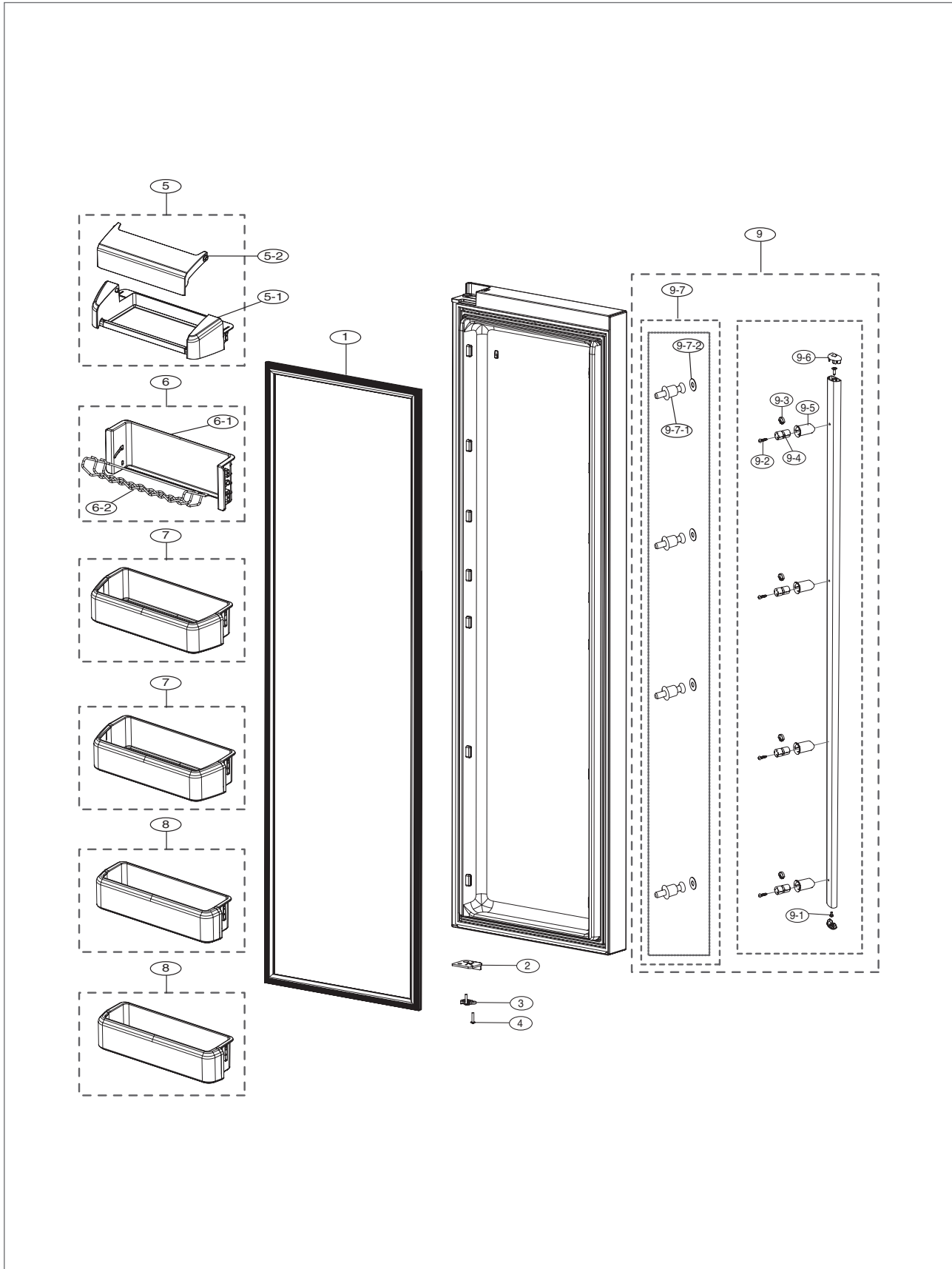
## EXPLODED VIEW & PART LIST

### ■ Parts List of Freezer Door (RSG25\*\*)

| NO | CODE-NO     | PART NAME    | Spec                           | Quantity | Remark | SA/SNA |
|----|-------------|--------------|--------------------------------|----------|--------|--------|
| 19 | DA61-04440A | FIXER-HANDLE | GUGGENHEIM,POM,-NTR,STS HANDLE | 2        |        | SA     |
|    | DA61-02984A |              | A-TOP 06,POM,-NTR,-            | 2        |        | SA     |

# EXPLODED VIEW & PART LIST

## 5-5-1) Fridge Door (RSG5D\*)



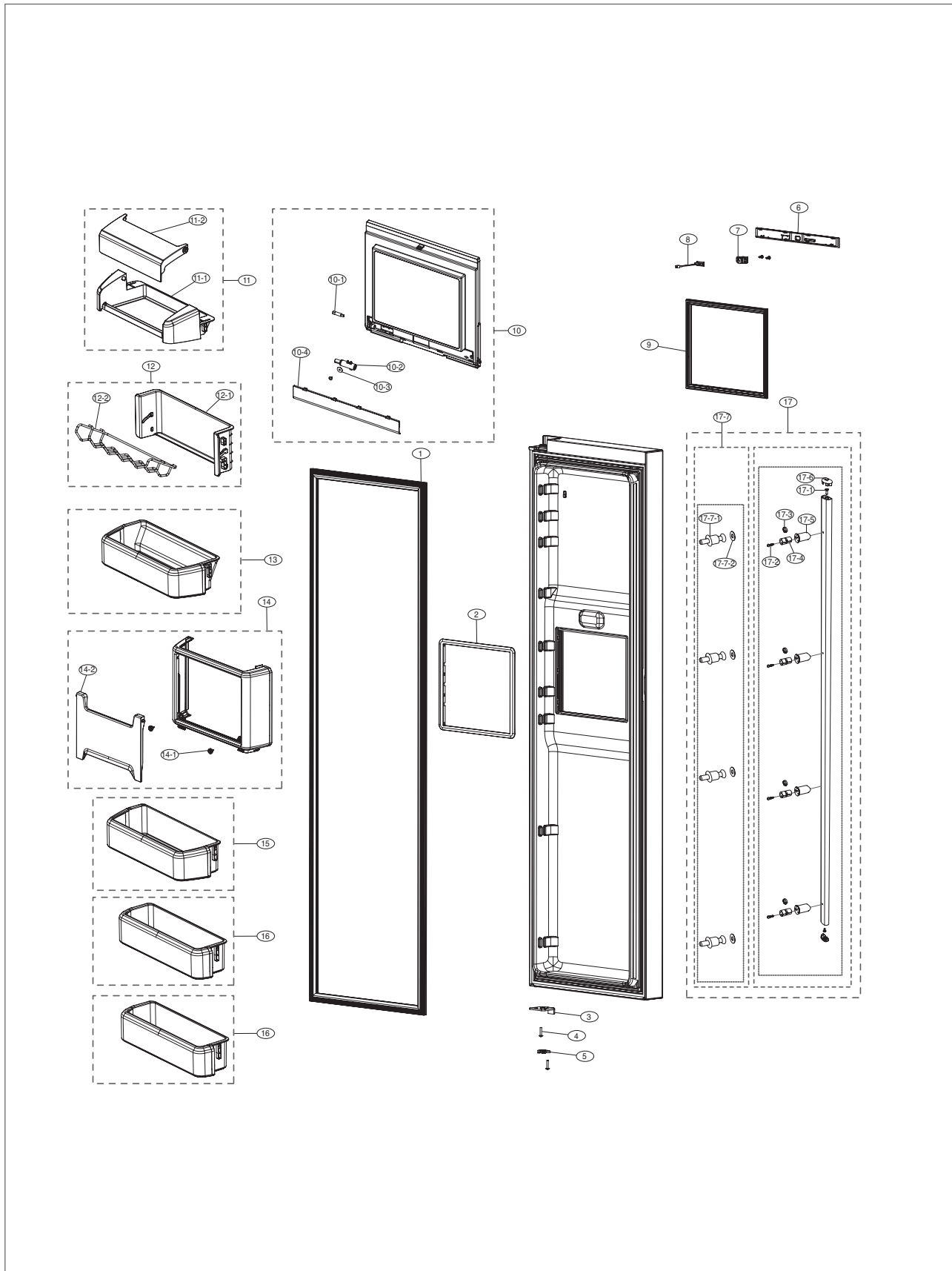
## EXPLODED VIEW & PART LIST

### ■ Parts List of Fridge Door (RSG5D\*)

| NO    | CODE-NO     | PART NAME              | Spec                                                                                          | Quantity | Remark | SA/SNA |
|-------|-------------|------------------------|-----------------------------------------------------------------------------------------------|----------|--------|--------|
| 1     | DA97-04568P | ASSY-GASKET DOOR REF   | GUGGENHEIM,SC-07407,-                                                                         | 1        |        | SA     |
| 2     | DA61-04196A | STOPPER-DOOR R         | GUGGENHEIM,SH173.0,....                                                                       | 1        |        | SA     |
| 3     | DA66-00557A | CAM HINGE-RISER UPP R  | GUGGENHEIM,NV-60,-BLACK,....                                                                  | 1        |        | SA     |
| 4     | 6001-001377 | SCREW-MACHINE          | TH+,1M1.25,ZPC(WHT),SWRCH10A,FP,-                                                             | 3        |        | SA     |
| 5     | DA97-06178A | ASSY GUARD-DAIRY       | GUGGENHEIM,....                                                                               | 1        |        | SA     |
| 5-1   | DA63-04197A | GUARD-DAIRY            | GUGGENHEIM,NPS,,-(COOL-WHITE)-                                                                | 1        |        | SA     |
| 5-2   | DA63-04198A | COVER-DAIRY            | GUGGENHEIM,SPS,....                                                                           | 1        |        | SA     |
| 6     | DA97-06549B | ASSY-CAN CARRY         | GUGGENHEIM,ABS,-                                                                              | 1        |        | SA     |
| 6-1   | DA61-04399B | SUPPORT-RACK CAN CARRY | GUGGENHEIM,ABS,,-(COOL-WHITE)-                                                                | 1        |        | SA     |
| 6-2   | DA75-00209A | RACK-CAN CARRY         | GUGGENHEIM,STS20M,....                                                                        | 1        |        | SA     |
| 7     | DA97-06177B | ASSY GUARD-REF UPP     | GUGGENHEIM,....                                                                               | 2        |        | SA     |
| 8     | DA97-06175C | ASSY GUARD-REF LOW     | GUGGENHEIM,....                                                                               | 2        |        | SA     |
| 9     | DA97-06632A | ASSY HANDLE-BAR        | GUGGENHEIM,EPX,AL,T1.5,W22.1,1579.5,VERTICAL SILVER,SC-000947(INOX),REAL STS,MANHATTAN SILVER | 1        |        | SA     |
| 9-1   | 6002-000213 | SCREW-TAPPING          | TH+,1M4.1,12.ZPC(WHT),SWRCH10A,-                                                              | 2        |        | SA     |
| 9-2   | 6009-001512 | SCREW-SPECIAL          | BH+,1M4.1,16.ZPC(WHT),SWRCH10A,1 DRILLING TAPPING                                             | 4        |        | SA     |
| 9-3   | DA61-03636A | STOPPER-HANDLE         | CULLINAN,SKG,....                                                                             | 4        |        | SA     |
| 9-4   | DA61-03726A | SUPPORT-HANDLE         | HERMES,NV86,,-,NTR,-                                                                          | 4        |        | SA     |
| 9-5   | DA67-01809F | CAP-SUPT HANDLE        | JM,ABS,,-,SC-070183(INOX),ONE TOUCH                                                           | 4        |        | SA     |
| 9-6   | DA67-02051A | CAP-HANDLE             | GUGGENHEIM,ABS,32.0,N31.8,17.0,NTR,AL(SILVER)                                                 | 2        |        | SA     |
| 9-7   | DA97-05529C | ASSY-BRACKET HANDLE    | HERMES,PJT,SWCH10A,-                                                                          | 4        |        | SA     |
| 9-7-1 | DA61-03725B | BRACKET-HANDLE         | HERMES,SWCH10A,-,L31,-                                                                        | 1        |        | SA     |
| 9-7-2 | DA63-03840A | GROMMET-HANDLE         | HERMES,SILICON,T1,....,NTR,DISP,40.0                                                          | 1        |        | SA     |

# EXPLODED VIEW & PART LIST

## 5-5-2) Fridge Door (RSG5F/K\*\*)





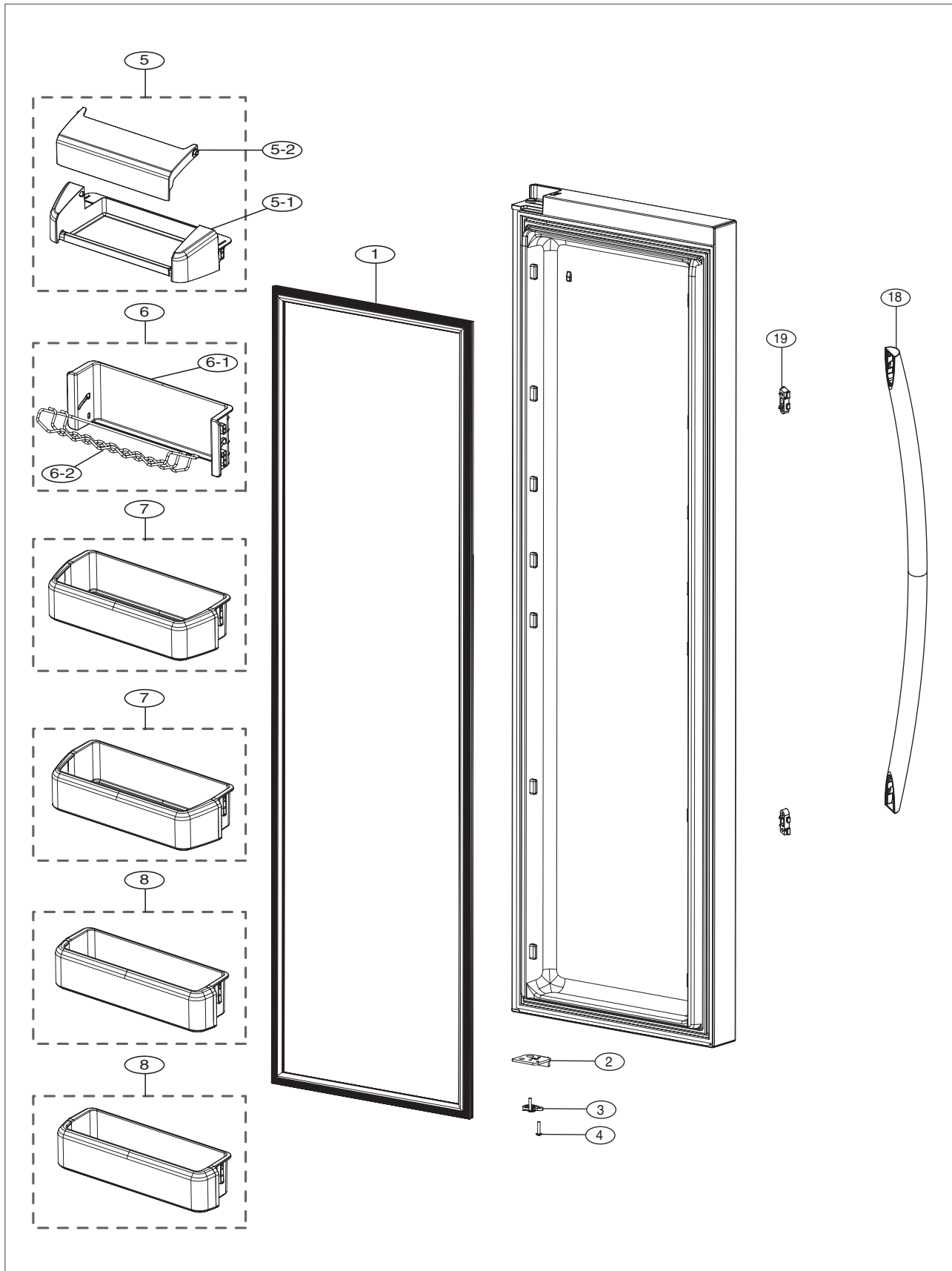
## EXPLODED VIEW & PART LIST

### ■ Parts List of Fridge Door (RSG5F/K\*\*)

| NO     | CODE-NO     | PART NAME                   | Spec                                                                                          | Quantity | Remark | SA/SNA |
|--------|-------------|-----------------------------|-----------------------------------------------------------------------------------------------|----------|--------|--------|
| 1      | DA97-04568P | ASSY-GASKET DOOR REF        | GUGGENHEIM,SC,47497,;                                                                         | 1        |        | SA     |
| 2      | DA64-02498A | TRIM-CASE HOME BAR OUT REF  | GUGGENHEIM,PP,;COOL,WHITE,SC,02140R,BL,730                                                    |          |        |        |
| 3      | DA61-04196A | STOPPER-DOOR R              | GUGGENHEIM,SH,1,730,;;                                                                        | 1        |        | SA     |
| 4      | 6001-001377 | SCREW-MACHINE               | TH,+,M5,L25,ZPC(WHT),SWRCH18A,PP,;                                                            | 3        |        | SA     |
| 5      | DA66-00557A | CAM HINGE-RISER UPP R       | GUGGENHEIM,NY,66,;BLACK,;;                                                                    | 1        |        | SA     |
| 6      | DA63-04400B | COVER-LATCH REF             | GUGGENHEIM,PJT,ABS,;NOBLE,GRAY,SC,02008R,VERSAILLES,STS,SC,03061(S),COVERING                  | 1        |        | SA     |
| 7      | DA97-05745A | ASSY-LATCH                  | CUBIC,PJT,POM,BLK,;                                                                           | 1        |        | SA     |
| 8      | DA34-00043C | SWITCH REED-ASS'Y           | 200VDC,1.5A,;                                                                                 | 1        |        | SA     |
| 9      | DA63-04480A | GASKET-HOME BAR             | GUGGENHEIM,PJT,SF,PVC,;VICTORY,GRAY,REF                                                       | 1        |        | SA     |
| 10     | DA97-06534B | ASSY HOME BAR-REF           | GUGGENHEIM,PJT,;NOBLE,GRAY,SC,02008R,VERSAILLES,STS,SC,03061(S),COVERING                      | 1        |        | SA     |
| 10-1   | DA66-00144C | SHAFT-HINGE HOME BAR        | CULLINAN,STS304,;FORGING                                                                      | 1        |        | SA     |
| 10-2   | DA97-06850A | ASSY DAMPER-HOME BAR        | GUGGENHEIM,;;                                                                                 | 1        |        | SA     |
| 10-3   | DA60-40104J | WASHER                      | -P142,-T0.8,T&PJT,;STS304,;                                                                   | 1        |        | SA     |
| 10-4   | DA67-01958A | CAP-DAMPER HOME BAR REF     | GUGGENHEIM,ABS,;COOL,WHITE,SC,02740R,;                                                        | 1        |        | SA     |
| 11     | DA97-06178A | ASSY GUARD-DAIRY            | GUGGENHEIM,;Dark Gray, Coolgray 9C,FRONT PRINTING                                             | 1        |        | SA     |
| 11-1   | DA63-04197A | GUARD-DAIRY                 | GUGGENHEIM,HPS,;COOL,WHITE,;                                                                  | 1        |        | SA     |
| 11-2   | DA63-04198A | COVER-DAIRY                 | GUGGENHEIM,GPPS,;TRP,FRONT PRINTING                                                           | 1        |        | SA     |
| 12     | DA97-06549B | ASSY-CAN CARRY              | GUGGENHEIM,ABS,;                                                                              | 1        |        | SA     |
| 12-1   | DA61-04399B | SUPPORT-RACK CAN CARRY      | GUGGENHEIM,ABS,;COOL,WHITE,;                                                                  | 1        |        | SA     |
| 12-2   | DA75-00209A | RACK-CAN CARRY              | GUGGENHEIM,STS304,;;                                                                          | 1        |        | SA     |
| 13     | DA97-06495A | ASSY GUARD-REF HOME BAR UPP | GUGGENHEIM,;Dark Gray, Coolgray 9C,FRONT PRINTING                                             | 1        |        | SA     |
| 14     | DA97-06182A | ASSY CASE-DOOR RECESS REF   | GUGGENHEIM,;;                                                                                 | 1        |        | SA     |
| 14-1   | DA63-00991A | GROMMET-DOOR RECESS         | A-TOP,SILICON,;NTR,;                                                                          | 2        |        | SA     |
| 14-2   | DA63-04203A | COVER-DOOR RECESS REF       | GUGGENHEIM,GPPS,;TRP,;                                                                        | 1        |        | SA     |
| 15     | DA97-06176C | ASSY GUARD-REF MID          | GUGGENHEIM,;;                                                                                 | 1        |        | SA     |
| 16     | DA97-06175C | ASSY GUARD-REF LOW          | GUGGENHEIM,;;                                                                                 | 2        |        | SA     |
| 17     | DA97-06632A | ASSY HANDLE-BAR             | GUGGENHEIM,EPX,AL,T1.5,INR2L,1670.5,VERTICAL,SILVER,SC,060347(INOX),REAL,STS,MANHATTAN,SILVER | 1        |        | SA     |
| 17-1   | 6002-000213 | SCREW-TAPPING               | TH,+,1,M4,L12,ZPC(WHT),SWRCH18A,;                                                             | 2        |        | SA     |
| 17-2   | 6009-001512 | SCREW-SPECIAL               | BH,+,M4,L16,ZPC(WHT),SWRCH18A,1(DRILLING TAPPING                                              | 4        |        | SA     |
| 17-3   | DA61-03636A | STOPPER-HANDLE              | CULLINAN,SCS,;;                                                                               | 4        |        | SA     |
| 17-4   | DA61-03726A | SUPPORT-HANDLE              | HERMES,IN166,;NTR,;                                                                           | 4        |        | SA     |
| 17-5   | DA67-01809F | CAP-SUPT HANDLE             | IM,ABS,;SC,07019(S)INOX,ONE TOUCH                                                             | 4        |        | SA     |
| 17-6   | DA67-02051A | CAP-HANDLE                  | GUGGENHEIM,ABS,S20,IN31.8,L17.8,NTR,AL,SILVER                                                 | 2        |        | SA     |
| 17-7   | DA97-05529C | ASSY-BRACKET HANDLE         | HERMES,PJT,SNCH10A,;                                                                          | 4        |        | SA     |
| 17-7-1 | DA61-03725B | BRACKET-HANDLE              | HERMES,SNCH10A,;L31,;                                                                         | 1        |        | SA     |
| 17-7-2 | DA63-03840A | GROMMET-HANDLE              | HERMES,SILICON,T1,;NTR,DISP,40/1                                                              | 1        |        | SA     |

# EXPLODED VIEW & PART LIST

## 5-5-3) Fridge Door (RSG25\*\*)








## EXPLODED VIEW & PART LIST

### ■ Parts List of Fridge Door (RSG25\*\*)

| NO  | CODE-NO     | PART NAME              | Spec                                  | Quantity | Remark | SA/SNA |
|-----|-------------|------------------------|---------------------------------------|----------|--------|--------|
| 1   | DA97-04568P | ASSY-GASKET DOOR REF   | GUGGENHEIM,SC#7497,-                  | 1        |        | SA     |
| 2   | DA61-04196A | STOPPER-DOOR R         | GUGGENHEIM,SHPT3.0,....               | 1        |        | SA     |
| 3   | DA66-00557A | CAM HINGE-RISER UPP R  | GUGGENHEIM,NV#6,-,BLACK,....          | 1        |        | SA     |
| 4   | 6001-001377 | SCREW-MACHINE          | TH,-,M6,L25,ZPC(WHT),SWRCH18A,FP,-    | 3        |        | SA     |
| 5   | DA97-06178A | ASSY GUARD-DAIRY       | GUGGENHEIM,....                       | 1        |        | SA     |
| 5-1 | DA63-04197A | GUARD-DAIRY            | GUGGENHEIM,HPS,-,COOL-WHITE,-         | 1        |        | SA     |
| 5-2 | DA63-04198A | COVER-DAIRY            | GUGGENHEIM,GPPS,....                  | 1        |        | SA     |
| 6   | DA97-06549B | ASSY-CAN CARRY         | GUGGENHEIM,ABS,-                      | 1        |        | SA     |
| 6-1 | DA61-04399B | SUPPORT-RACK CAN CARRY | GUGGENHEIM,ABS,-,COOL-WHITE,-         | 1        |        | SA     |
| 6-2 | DA75-00209A | RACK-CAN CARRY         | GUGGENHEIM,STSS20M,....               | 1        |        | SA     |
| 7   | DA97-06177B | ASSY GUARD-REF UPP     | GUGGENHEIM,....                       | 2        |        | SA     |
| 8   | DA97-06175C | ASSY GUARD-REF LOW     | GUGGENHEIM,....                       | 2        |        | SA     |
| 9   | DA97-06634A | ASSY HANDLE-TUBE       | GUGGENHEIM,-,W30.5,L878.9,-,STSS04    | 1        |        | SA     |
|     | DA97-06634B |                        | GUGGENHEIM,-,W30.5,L878.9,-,BMC-WHITE | 1        |        | SA     |
|     | DA97-06634C |                        | GUGGENHEIM,-,W30.5,L878.9,-,BMC-BLACK | 1        |        | SA     |
| 10  | DA61-04440A | FIXER-HANDLE           | GUGGENHEIM,POM,-,NTR,STS-HANDLE       | 2        |        | SA     |
|     | DA61-02984A |                        | A-TOP,POM,-,NTR,-                     | 2        |        | SA     |









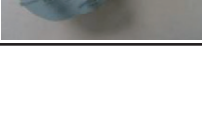

## EXPLODED VIEW & PART LIST

### ■ Parts List of Exterior

| Model                                    | RSG5**                                                                            |                                                                                   |                                                                                   |                                                                                   |                                                                                    | RSG25**          |             |             |
|------------------------------------------|-----------------------------------------------------------------------------------|-----------------------------------------------------------------------------------|-----------------------------------------------------------------------------------|-----------------------------------------------------------------------------------|------------------------------------------------------------------------------------|------------------|-------------|-------------|
| IMAGE                                    |  |  |  |  |  |                  |             |             |
| PART \ COLOR                             | RS<br>(COATED)                                                                    | MH                                                                                | BP                                                                                | SW                                                                                | PS                                                                                 | RS<br>(UNCOATED) | BP          | SW          |
| ASSY DOOR FOAM FRE                       | DA97-02735A                                                                       | DA91-02749A                                                                       | DA91-02749B                                                                       | DA91-02749C                                                                       | DA97-02749D                                                                        | DA97-02735B      | DA97-02749F | DA97-02749G |
| ASSY DOOR FOAM<br>REF(RSG5D**)           | DA91-02737F                                                                       | DA91-02737G                                                                       | DA91-02737H                                                                       | DA91-02737J                                                                       | DA91-02737K                                                                        | DA91-02737A      | DA91-02737C | DA91-02737D |
| ASSY DOOR FOAM<br>REF(RSG5F**)           | DA97-02736A                                                                       | DA97-02736B                                                                       | DA97-02736C                                                                       | DA97-02736D                                                                       | DA97-02736E                                                                        | -                | -           | -           |
| ASSY COVER-HINGE R                       | DA97-06159C                                                                       | DA97-06159C                                                                       | DA97-06159E                                                                       | DA97-06159F                                                                       | DA97-06159G                                                                        | DA97-06654A      | DA97-06654C | DA97-06654D |
| COVER-HINGE R                            | DA63-04180C                                                                       | DA63-04180C                                                                       | DA63-04180E                                                                       | DA63-04180F                                                                       | DA63-04180G                                                                        | DA63-04442A      | DA63-04442C | DA63-04442D |
| ASSY COVER-HINGE L                       | DA97-06160C                                                                       | DA97-06160C                                                                       | DA97-06160E                                                                       | DA97-06160F                                                                       | DA97-06160G                                                                        | DA97-06653A      | DA97-06653C | DA97-06653D |
| COVER-HINGE L                            | DA63-04181C                                                                       | DA63-04181C                                                                       | DA63-04181E                                                                       | DA63-04181F                                                                       | DA63-04181G                                                                        | DA63-04443A      | DA63-04443C | DA63-04443D |
| ASSY COVER-LEG FRONT                     | DA97-06756F                                                                       | DA97-06756K                                                                       | DA97-06756G                                                                       | DA97-06756H                                                                       | DA97-06756J                                                                        | DA97-06756F      | DA97-06756G | DA97-06756H |
| COVER-LEG FRONT                          | DA63-04467A                                                                       | DA63-04467E                                                                       | DA63-04467B                                                                       | DA63-04467C                                                                       | DA63-04467D                                                                        | DA63-04467A      | DA63-04467B | DA63-04467C |
| COVER-CAP COOR FRE                       | DA63-04341A                                                                       | DA63-04341A                                                                       | DA63-04341C                                                                       | DA63-04341D                                                                       | DA63-04341E                                                                        | DA63-04341A      | DA63-04341C | DA63-04341D |
| ASSY HANDLE                              | DA97-06632A                                                                       | DA97-06632A                                                                       | DA97-06632C                                                                       | DA97-06632B                                                                       | DA97-06632B                                                                        | DA97-06634A      | DA97-06633B | DA97-06633A |
| ASSY COVER-DISPENSER                     | DA97-06477A                                                                       | DA97-06476D                                                                       | DA97-06476B                                                                       | DA97-06476A                                                                       | DA97-06476C                                                                        | DA97-06477B      | DA97-06476G | DA97-06476F |
| ASSY COVER-MICRO S/W                     | DA97-06479A                                                                       | DA97-06478D                                                                       | DA97-06478B                                                                       | DA97-06478A                                                                       | DA97-06478C                                                                        | DA97-06479B      | DA97-06478B | DA97-06478A |
| COVER-MICRO S/W                          | DA63-04366A                                                                       | DA63-04375D                                                                       | DA63-04375B                                                                       | DA63-04375A                                                                       | DA63-04375C                                                                        | DA63-04366A      | DA63-04375B | DA63-04375A |
| LEVER-PUSH                               | DA66-00600C                                                                       | DA66-00600D                                                                       | DA66-00600B                                                                       | DA66-00600A                                                                       | DA66-00600C                                                                        | DA66-00600C      | DA66-00600B | DA66-00600A |
| PLATE-COVER S/W                          | DA66-04390A                                                                       | -                                                                                 | -                                                                                 | -                                                                                 | -                                                                                  | DA66-04390B      | -           | -           |
| CASE-TARY DISPENSER                      | DA61-04386D                                                                       | DA61-04386D                                                                       | DA61-04386B                                                                       | DA61-04386A                                                                       | DA61-04386C                                                                        | DA61-04386D      | DA61-04386B | DA61-04386A |
| TRAY-DISPENSER                           | DA97-06768A                                                                       | DA63-04372D                                                                       | DA63-04372B                                                                       | DA63-04372A                                                                       | DA63-04372C                                                                        | DA97-06768B      | DA63-04372B | DA63-04372A |
| ASSY HOME BAR-REF(only<br>RSG5F** model) | DA97-06534B                                                                       | DA97-06536B                                                                       | DA97-06536A                                                                       | DA97-06536D                                                                       | DA97-06534A                                                                        | -                | -           | -           |




## EXPLODED VIEW & PART LIST

### ■ List of Power Cord

| CODE        | NATION                      | PICTURE                                                                             | CODE        | NATION                 | PICTURE                                                                               |
|-------------|-----------------------------|-------------------------------------------------------------------------------------|-------------|------------------------|---------------------------------------------------------------------------------------|
| DA39-10115D | EUROPE/ IRAN                |    | DA39-10163D | ARGENTINA              |    |
| DA39-10165D | AMERICAS                    |    | DA39-1016F  | AUSTRALIA              |    |
| DA39-10164E | UK                          |    | DA39-10173C | ISRAEL                 |    |
| DA39-00059B | SWITZERLAND                 |    | DA39-10003E | COLOMBIA/PANAMA        |    |
| DA39-10102C | INDIA                       |   | 3903-000324 | THAILAND               |   |
| DA39-10139E | JORDAN(AMMAM)/SIN<br>GAPORE |  | DA39-10154D | BRAZIL                 |  |
| DA39-00057C | SOUTH AFRICA                |  | DA39-10165C | SAUDI<br>ARABIA/MEXICO |  |
| DA39-00008B | CHINA                       |  | DA39-10139D | MALAYSIA               |  |

## EXPLODED VIEW & PART LIST

### ■ List of Inverter PBA

| CODE        | COMPONENTS           |             | SPEC            | PICTURE                                                                             |
|-------------|----------------------|-------------|-----------------|-------------------------------------------------------------------------------------|
|             | PART                 | CODE        |                 |                                                                                     |
| DA41-00552B | CASE-PCB PANEL INV   | DA61-04167A | 220~240V/R-600A |  |
|             | PBA SUB-PBA INVERTER | DA41-00404A |                 |                                                                                     |
|             | COIL FILTER-EMI      | DA27-00019E |                 |                                                                                     |
|             | ASSY W/HARNESS       | DA96-00443C |                 |                                                                                     |
|             | COIL FILTER-REACTOR  | DA27-00004C |                 |                                                                                     |
| DA41-00552C | CASE-PCB PANEL INV   | DA61-04167A | 110~127V/R-134A |  |
|             | PBA SUB-PBA INVERTER | DA41-00404B |                 |                                                                                     |
|             | COIL FILTER-EMI      | DA27-00019E |                 |                                                                                     |
|             | ASSY W/HARNESS       | DA96-00443A |                 |                                                                                     |
| DA41-00552D | CASE-PCB PANEL INV   | DA61-04167A | 220~240V/R-134A |  |
|             | PBA SUB-PBA INVERTER | DA41-00404C |                 |                                                                                     |
|             | COIL FILTER-EMI      | DA27-00019E |                 |                                                                                     |
|             | ASSY W/HARNESS       | DA96-00443C |                 |                                                                                     |
|             | COIL FILTER-REACTOR  | DA27-00004C |                 |                                                                                     |