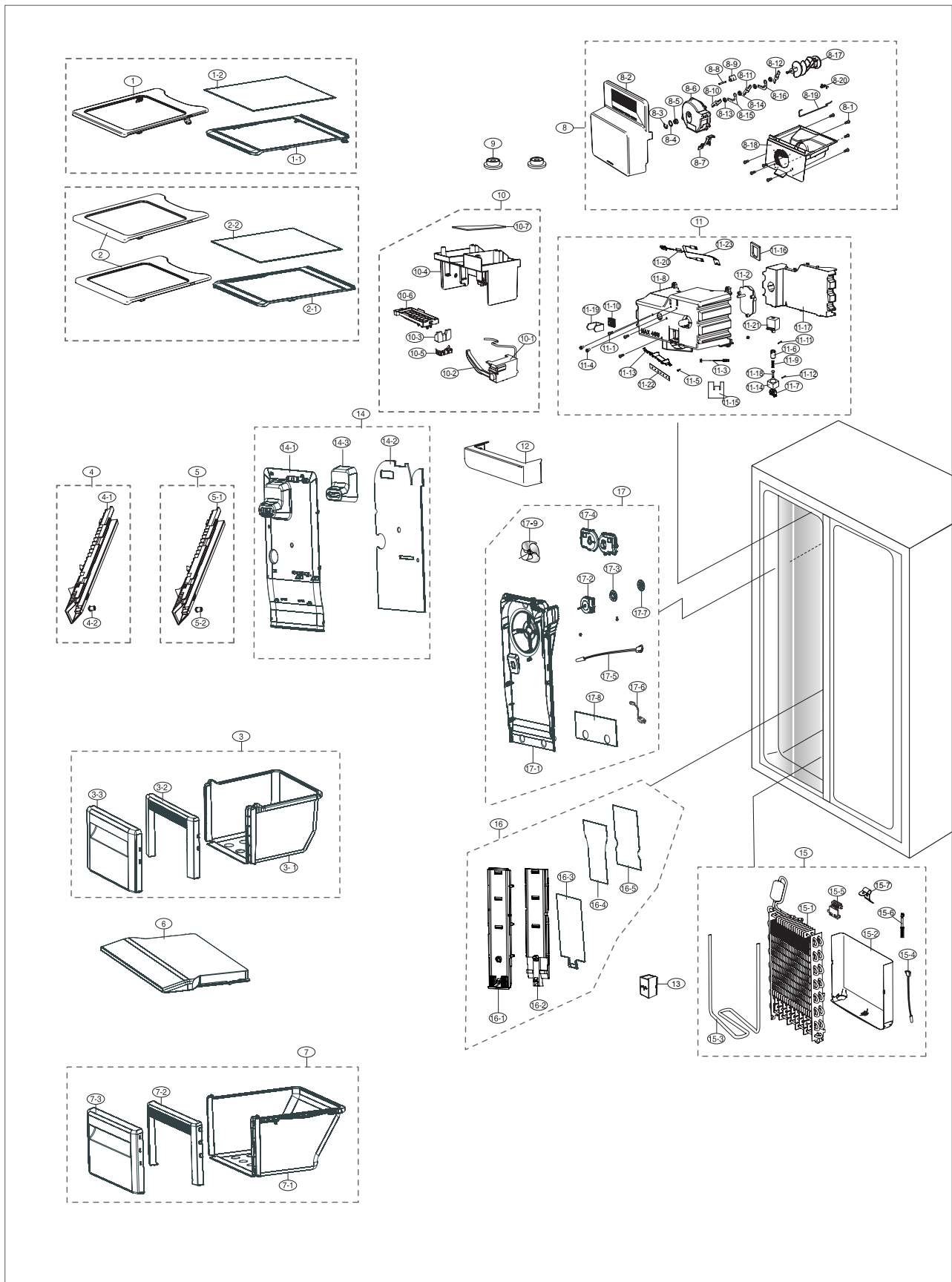


EXPLODED VIEW PART LIST

Freezer



EXPLODED VIEW PART LIST

• Parts List of Freezer

NO	CODE NO	PART NAME	Specification	Quantity	SA/SNA	SVC NO
1	DA97-06012B	ASSY SHELF FRE-HIGH	ES-PJT,SSEC,ABS+GLAS	1	SA	A1204
1-1	DA67-01907B	SHELF FRE-HIGH	ES-PJT,SSEC,ABS,-,-,-,COO	1	SNA	-
1-2	DA64-02458A	GLASS-SHELF FRE HIGH	ES-PJT,SSEC,GLASS	1	SNA	-
2	DA97-06013B	ASSY SHELF FRE-LOW	ES-PJT,SSEC,ABS+GLASS	2	SA	M0310
2-1	DA67-01904B	SHELF FRE-LOW	ES-PJT,SSEC,ABS,-,-,-,COOL	2	SNA	Z1179
2-2	DA64-02459A	GLASS-SHELF FRE LOW	ES-PJT,SSEC,GLASS	2	SNA	-
3	DA97-14362A	ASSY CASE BASKET-UP	ES-PJT,SSEC	1	SA	-
3-1	DA61-04009A	CASE-BASKET HIGH	ES-PJT,SSEC,PP,-,-,-,-	1	SNA	-
3-2	DA63-04045A	COVER-BASKET FORNT HIGH B	ES-PJT,SSEC,HI	1	SNA	-
3-3	DA63-04044B	COVER AIR	ES-PJT,SSEC,GPPS,HB,-,PG383M,t	1	SNA	-
4	DA97-01291B	ASSY RAIL-BASKET L(ET)	ET-PJT,Cool-white	1	SA	-
4-1	DA61-00044C	RAIL-BASKET L(ET)	ET-PJT,HIPS,-,-,-,COOL	1	SNA	-
4-2	DA63-05275A	GROMMET-RAIL	ES-PJT,SSEC,NY-6,SC-93437R	1	SNA	-
5	DA97-01292B	ASSY RAIL-BASKET R(ET)	ET-PJT,Cool-white	1	SA	-
5-1	DA61-00045C	RAIL-BASKET R(ET)	ET-PJT,HIPS,-,-,-,COOL	1	SNA	-
5-2	DA63-05275A	GROMMET-RAIL	ES-PJT,SSEC,NY-6,SC-93437R	1	SNA	-
6	DA63-03960A	COVER-BASKET HIGH	ES-PJT,SSEC,HIPS,-,-,-	1	SA	A1182
7	DA97-14363A	ASSY CASE BASKET-LOW	ES-PJT,SSEC	1	SA	A1186
7-1	DA61-04046A	CASE-BASKET LOW	ES-PJT,SSEC,PP,-,-,-,-	1	SNA	G0407
7-2	DA63-04042A	COVER-BASKET FRONT LOW B	ES-PJT,SSEC,HIP	1	SNA	-
7-3	DA63-04044B	COVER AIR	ES-PJT,SSEC,GPPS,HB,-,PG383M,t	1	SNA	-
8	DA97-06072E	ASSY TRAY-ICE BUCKET	ES,2008GVE,-,-,-,-	1	SA	M0122
8-1	6002-001204	SCREW-TAPPING	BH,+,-,1,M4,L16,DACRO,SWRC	8	SNA	G0412
8-2	DA63-04019A	COVER-ICE BUCKET	ES-PJT,SSEC,PP,-,-,-,-	1	SNA	M0428
8-3	DA60-00185A	FASTENER-RING	ES-PJT,SSEC,SK-5H,-,T1.6,-	1	SNA	M0319
8-4	DA60-00186A	FASTENER-WASHER	ES-PJT,SSEC,STAINLESS-ST	1	SNA	-
8-5	DA61-03972A	FIXER-AUGER	ES-PJT,SSEC,POM,-,-,-,AUGER,L1	1	SNA	-
8-6	DA63-03935A	COVER-CRUSHER DISP	ES-PJT,SSEC,HIPS,W145	1	SNA	-
8-7	DA61-03864A	GUIDE-ICE DISPENSER	ES-PJT,SSEC,HIPS,-,-	1	SNA	-
8-8	DA61-03969A	FIXER-SPIRAL	ES-PJT,SSEC,STS304,T1.0,-,P	1	SNA	-
8-9	DA61-03865A	FIXER-BLADE	ES-PJT,SSEC,POM,-,-,NTR,-	1	SNA	-
8-10	DA31-00205A	BLADE-MOVING C	ES-PJT,SSEC,STS304,T2.0	1	SNA	-
8-11	DA31-00206A	BLADE-MOVING B	ES-PJT,SSEC,STS304,T2.0	1	SNA	-
8-12	DA31-00207A	BLADE-MOVING A	ES-PJT,SSEC,STS304,T2.0	1	SNA	-
8-13	DA61-04262A	SUPPORT-BLADE B	ES-PJT,SSEC,POM,-,-,-,NT	2	SNA	-
8-14	DA61-04261A	SUPPORT-BLADE A	ES-PJT,SSEC,POM,-,-,-,NT	2	SNA	-
8-15	DA31-00209A	BLADE-STATIONARY DISP OUT	ES-PJT,SSEC,ST	1	SNA	-
8-16	DA31-00208A	BLADE-STATIONARY DISP IN	ES-PJT,SSEC,STS	1	SNA	-
8-17	DA65-00049A	CLAMPER CORE-HELIX	ES-PJT,SSEC,POM+STS30	1	SNA	M0305
8-18	DA63-03934A	TRAY ICE-BUCKET	ES-PJT,SSEC,PP,-,-,-,-,C	1	SNA	M0427
8-19	DA66-00529A	LEVER-CUBE	ES-PJT,SSEC,MSWR10,-,-,-,-,-	1	SNA	M0193
8-20	DA61-03947A	SPRING ETC-DISPENSE	ES-PJT,SSEC,STS304,O	1	SNA	-
9	DA61-03916A	FIXER GROMMET-DOOR	ES-PJT,SSEC,ABS,-,COO	2	SNA	G0200

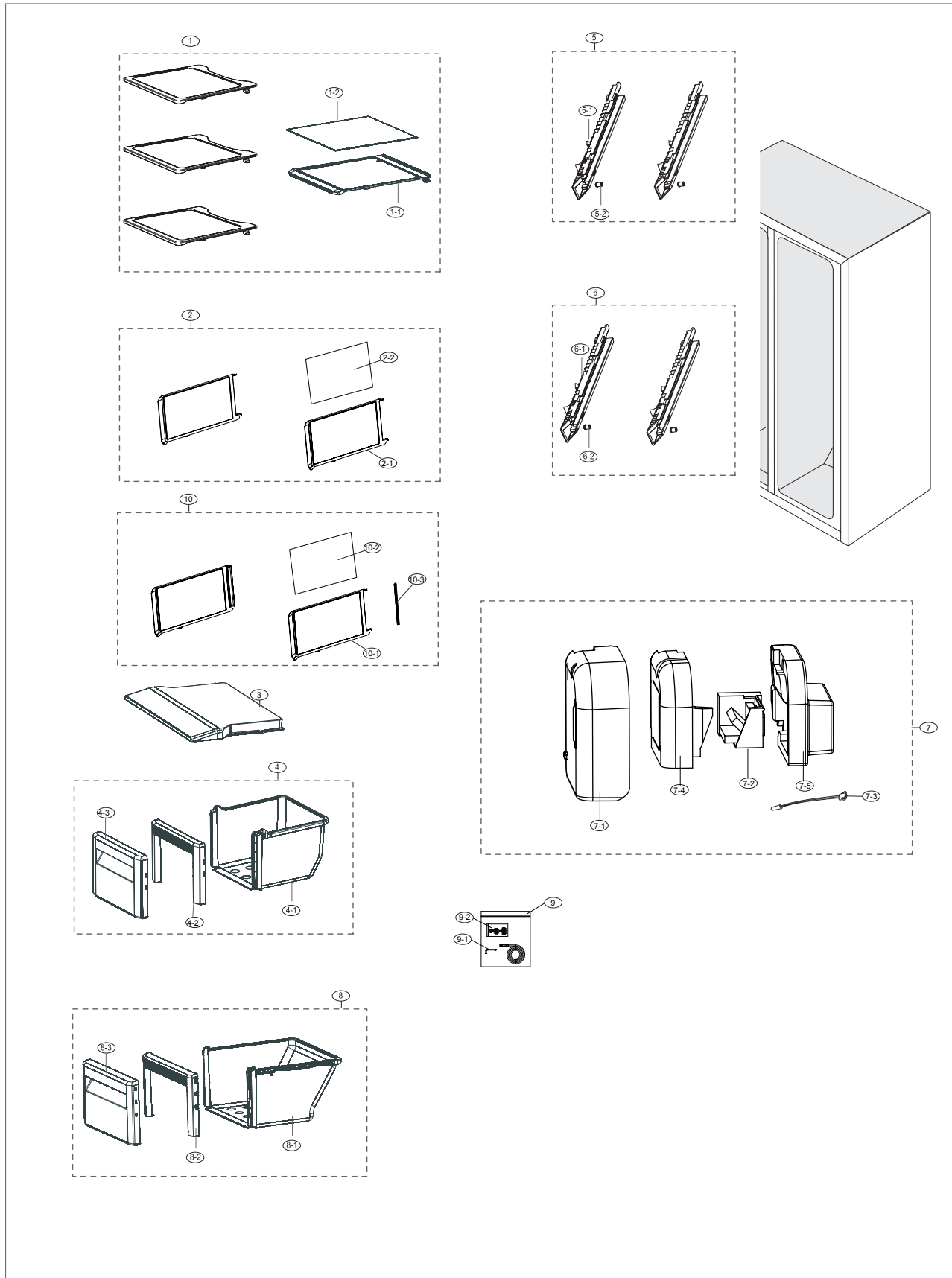
EXPLODED VIEW PART LIST

• Parts List of Freezer

NO	CODE NO	PART NAME	Specification	Quantity	SA/SNA	SVC NO
10	DA97-05806A	ASSY ICE MAKER-MECH	ES-PJT,SSEC,-,-,-,-,-,	1	SA	M0247
10-1	DA59-00294A	ICE MAKER-ASSY	NTGN,DC12V,-,-,-,-,-,	1	SNA	-
10-2	DA61-03923A	GUIDE-ICE FULL	ES-PJT,SSEC,ABS,NTR	1	SNA	Z1221
10-3	DA61-01800A	FIXER-SENSOR(ICE MAKER)	AD,URETHANE,-,-,-,	1	SNA	-
10-4	DA61-03902A	SUPPORT-ICE MAKER	ES-PJT,SSEC,HIPS,-,-,-,-,	1	SNA	Z1244
10-5	DA63-03956A	COVER-SENSOR	ES-PJT,SSEC,PP,T1.0,-,-,-,-,-,	1	SNA	-
10-6	DA63-03951A	TRAY ICE	ES-PJT,SSEC,PP,-,W180,-,-,-,NTR,A	1	SNA	A0120
10-7	DA62-01678A	SEAL-SUPPORT ICE MAKER	ES-PJT,SSEC,FOAM-	1	SNA	-
11	DA97-08802G	ASSY CASE-AUGER MOTOR	ES,LED,GVE,5EA,220	1	SA	M0069
11-1	6002-001335	SCREW-TAPPING	BH,+,-,-,1,M4,L16,DACRO,SWRC	3	SNA	G0412
11-2	DA31-00105F	MOTOR GEARED-AUGER	ISG3240SSH-1,OVER 72K	1	SA	M0199
11-3	DA39-00439C	WIRE HARNESS-LED FRE	ES,Z,U,D,J,K,LED LA	1	SNA	-
11-4	DA60-00001B	SCREW-SPECIAL	HEX,-,-,-,L8.3,PASS,STS304	3	SNA	T0036
11-5	DA60-10130B	SCREW-TAPPING	BH,+,-,-,1,M4,L16,DACRO,SWRC	1	SNA	G0412
11-6	DA61-03867A	BUSH-SOLENOID	ES-PJT,SSEC,POM,SC-93438R,	1	SNA	M0263
11-7	DA61-03868A	SLIDER-SOLENOID DISP	ES-PJT,SSEC,POM,-,-,-,	1	SNA	-
11-8	DA61-03869A	CASE-AUGER MOTOR	ES-PJT,SSEC,PP,-,-,-,-,NT	1	SNA	M0393
11-9	DA61-03946A	SPRING ETC-SOLENOID	ES-PJT,SSEC,STS304,I	1	SNA	-
11-10	DA61-03950A	FIXER-NUT	ES-PJT,SSEC,STS420+SK5,CLIP	1	SNA	M0166
11-11	DA61-03971A	FIXER-SPRING A	ES-PJT,SSEC,STS304,-,-,-,L2	1	SNA	-
11-12	DA61-03971B	FIXER-SPRING B	ES-PJT,SSEC,STS304,-,-,-,L1	1	SNA	-
11-13	DA61-05813A	SUPPORT-LED FRE,Z	HIPS,2.0,144.7,NTR,LED	1	SNA	-
11-14	DA62-01812A	SEAL-SOLENOID	ES-PJT,SSEC,FOAM-PE,GRAY,T	1	SNA	-
11-15	DA62-01826A	SEAL-CASE AUGER IN	ES-PJT,SSEC,FOAM-PE,G	1	SNA	-
11-16	DA62-01829A	SEAL-COVER AUGER REAR	ES-PJT,SSEC,OJC-30	1	SNA	-
11-17	DA63-03933A	COVER-AUGER MOTOR	ES-PJT,SSEC,PP,-,-,-,-,-,	1	SNA	-
11-18	DA66-00519A	GEAR-SOLENOID	ES-PJT,SSEC,POM,SC-93438R,	1	SNA	M0280
11-19	DA70-00511B	PLATE-D/AUGER DISP	ES-PJT,SSEC,STS304	1	SA	-
11-20	DA72-00583E	SEAL CUTT	SSEC-MODEL,PU SPONGE,BLACK,T5,	0.0075	SNA	G0046
11-21	DA74-40151F	VALVE-SOLENOID	SR-S6586B,-,-,-,-,-,CUBE-SN	1	SA	M0234
11-22	DA92-00150A	ASSY PCB KIT	110*20mm	1	SA	Z1144
11-23	DA96-00451C	ASSY W/HARNESS-SUB	ES-PJT,SSEC,HOUSING V	1	SNA	-
12	DA63-04041A	COVER LAMP-FRE	ES-PJT,SSEC,PP,-,-,-,-,-,	1	SA	-
13	DA63-03788B	COVER-FIXER HOUSING	W07,SGCC,T0.4	1	SA	M0273
14	DA97-06068A	ASSY COVER-MULTI FRE FRONT	ES-PJT,SSEC,-,-,-,-,-,	1	SA	A1216
14-1	DA63-04022A	COVER-MULTI FRE FRONT	ES-PJT,SSEC,PP,-,-,-,-,-,	1	SNA	A1218
14-2	DA62-01823A	SEAL-MULTI FRE FRONT	ES-PJT,SSEC,FOAM-PE	1	SNA	-
14-3	DA62-01723A	INSULATION-AIR GUIDE	ES-PJT,SSEC,FOAM-PS	1	SNA	-
15	DA96-00442E	ASSY EVAP FRE	ES-PJT,09,AL,230V,50HZ,300	1	SA	A0162
15-1	DA59-00372C	EVAP FRE	ES-PJT,09,FIN PIPE,AL,50HZ,300W	1	SNA	A0742
15-2	DA61-04026A	PLATE-DRAIN	ES-PJT,SSEC,GALVA,-,-,-,-,-,	1	SA	A0754
15-3	DA47-00279C	HEATER-METAL SHEATH	-,ES-PJT,SSEC,-,-,-,300W	1	SA	A0921

EXPLODED VIEW PART LIST

Fridge



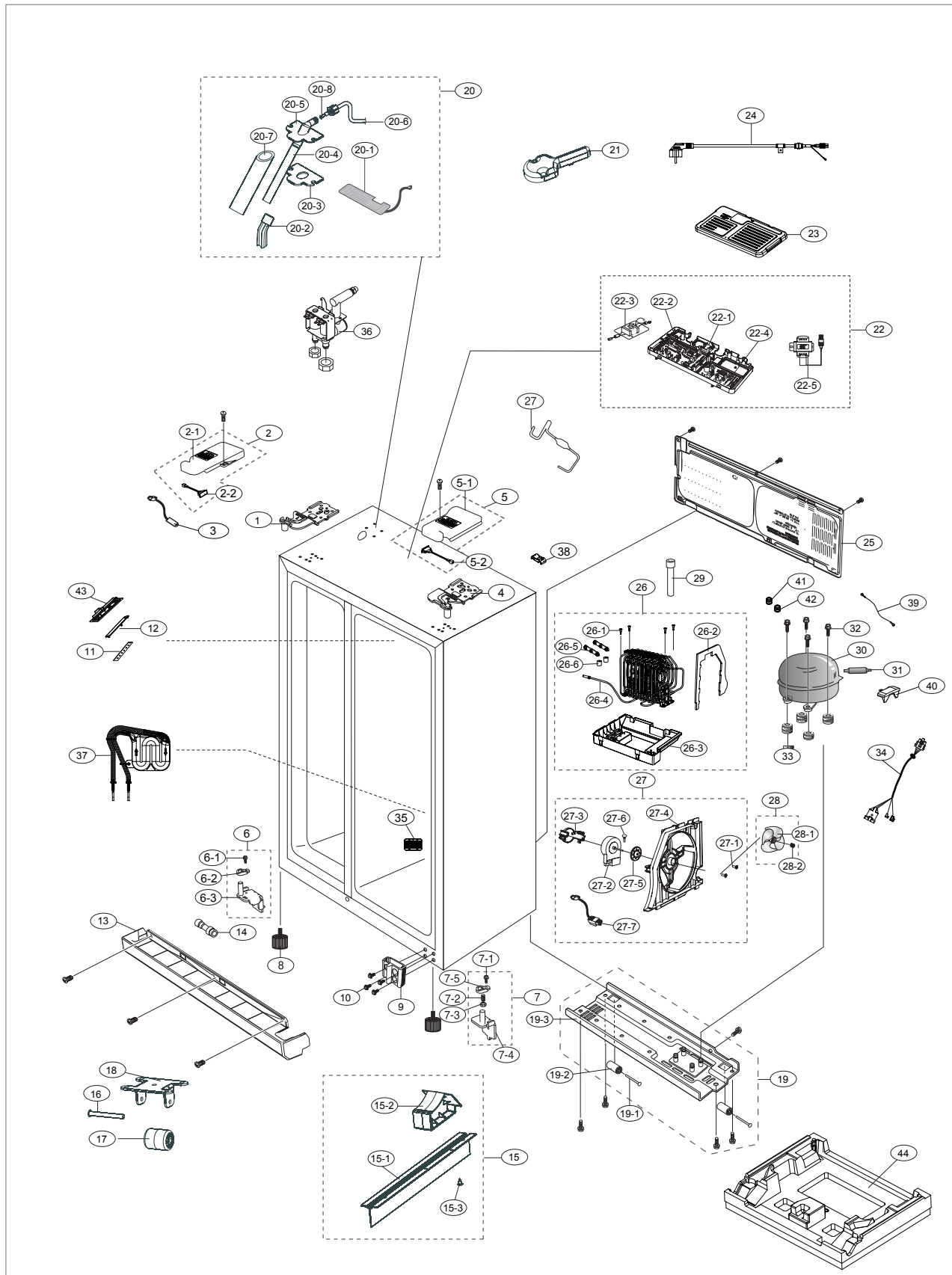
EXPLODED VIEW PART LIST

• Parts List of Fridge

NO	CODE NO	PART NAME	Specification	Quantity	SA/SNA	SVC NO
1	DA97-06007B	ASSY SHELF REF-HIGH	ES-PJT,SSEC,ABS+GLAS	3	SA	A1203
1-1	DA67-01905B	SHELF REF-HIGH	ES-PJT,SSEC,ABS,-,-,-,COO	3	SNA	A0164
1-2	DA64-02457A	GLASS-SHELF REF HIGH	ES-PJT,SSEC,GLASS	3	SNA	-
2	DA97-06009C	ASSY SHELF REF-LOW	ES-PJT,SSEC,ABS+GLASS	1	SA	G0284
2-1	DA67-01906B	SHELF REF-LOW	ES-PJT,SSEC,ABS,-,-,-,COOL	1	SNA	A0682
2-2	DA64-02456B	GLASS-SHELF REF LOW	ES-PJT,SSEC,GLASS	1	SNA	-
3	DA63-04053A	COVER VEG-HIGH	ES-PJT,SSEC,HIPS,W343,L43	1	SA	A1183
4	DA97-06063B	ASSY CASE VEG-UP	ES-PJT,SSEC	1	SA	-
4-1	DA61-04037A	CASE-VEG HIGH	ES-PJT,SSEC,PP,-,W381,L439	1	SNA	A0677
4-2	DA63-04036A	COVER VEG-FRONT HIGH B	ES-PJT,SSEC,HIPS,	1	SNA	-
4-3	DA63-04037C	COVER VEG-FRONT UP A	ES-PJT,SSEC,GPPS,HB	1	SNA	-
5	DA97-04793B	ASSY RAIL-LOW L	N07-PJT,SSEC,L220,NTR	2	SA	A0931
5-1	DA61-03078C	RAIL-LOW L	N07-PJT,SSEC,HIPS,W28,L220,NT	2	SNA	-
5-2	DA66-00420A	ROLLER-RAIL LOW	N07-PJT,SSEC,POM,NTR	2	SA	-
6	DA97-04794B	ASSY RAIL-LOW R	N07-PJT,SSEC,L220,NTR	2	SA	A0932
6-1	DA61-03079C	RAIL-LOW R	N07-PJT,SSEC,HIPS,T2.5,W28,L2	2	SNA	-
6-2	DA66-00420A	ROLLER-RAIL LOW	N07-PJT,SSEC,POM,NTR	2	SA	-
7	DA97-12132B	ASSY COVER DAMPER-REF	ES-PJT,COOL WHITE	1	SA	A0678
7-1	DA63-06675A	COVER DAMPER-REF	ES-PJT,SSEC,11,PP,COOL	1	SNA	A0208
7-2	DA31-00071C	MOTOR DC-DAMPER	DC 12V,MAX 60mA,BBC-PJT	1	SC	G0242
7-3	DA32-00024E	SENSOR TEMP	502AT,ES-PJT,SSEC,-,5V,-,-,F	1	SA	A1018
7-4	DA62-03433A	INSULATION-DAMPER REF UP	ES-PJT,SSEC,FOA	1	SNA	A1219
7-5	DA62-03434A	INSULATION-DAMPER REF LOW	ES-PJT,SSEC,FO	1	SNA	A1220
8	DA97-06064B	ASSY CASE VEG-LOW	ES-PJT,SSEC	1	SA	M0300
8-1	DA61-04036A	CASE-VEG LOW	ES-PJT,SSEC,PP,-,W366,L429,	1	SNA	M0268
8-2	DA63-04029A	COVER VEG-FRONT LOW B	ES-PJT,SSEC,HIPS,-	1	SNA	-
8-3	DA63-04031B	COVER VEG-FRONT LOW A	ES-PJT,SSEC,GPPS,H	1	SNA	-
9	DA97-01469Z	ASSY-INSTALL FILTER	ET,HERMESS,ATOP,-,-,	1	SA	A0684
9-1	DA80-00002C	WRENCH-SPANNER	SAPPHIRE,SM45C,-,-,-,-,Ni	1	SA	Z1222
9-2	DA73-00050G	PIPE-CONN	TP2(M),ID5.15,OD6.35,T0.6	1	SA	-
10	DA97-12133A	ASSY SHELF REF-LOW	ES-PJT,SSEC,ABS+GLASS	1	SA	G0284
10-1	DA67-01906B	SHELF REF-LOW	ES-PJT,SSEC,ABS,-,-,-,COOL	1	SNA	A0682
10-2	DA64-02456B	GLASS-SHELF REF LOW	ES-PJT,SSEC,GLASS	1	SNA	-
10-3	DA67-03196A	SHELF-TRIM	ES-PJT,SSEC,PVC,COOL WHITE,PV	1	SNA	A1205

EXPLODED VIEW PART LIST

Cabinet



EXPLODED VIEW PART LIST

• Parts List of Cabinet

NO	CODE NO	PART NAME	Specification	Quantity	SA/SNA	SVC NO
1	DA61-03933C	HINGE-UPP L	ES-PJT,SSEC,10,SHP1,T3.0,ZPC	1	SA	M0286
2	DA97-05773L	ASSY COVER HINGE-UPP L	ES-PJT,SSEC,HIPS,	1	SA	A0241
2-1	DA63-03958F	COVER HINGE-UPP L	ES-PJT,SSEC,HIPS,Titan	1	SNA	A0242
2-2	DA34-00046B	SWITCH-REED	KYESH,JST,200V,0.5A,DC,L90	1	SA	Z1142
3	DA32-00034B	SENSOR HUMIDITY	SHT20P,POLARIS,5V,1mA,0	1	SA	A1108
4	DA61-03932C	HINGE-UPP R	ES-PJT,SSEC,10,SHP1,T3.0,ZPC	1	SA	A0813
5	DA97-05763F	ASSY COVER HINGE-UPP R	ES-PJT,SSEC,HIPS,	1	SA	A0243
5-1	DA63-03959F	COVER HINGE-UPP R	ES-PJT,SSEC,HIPS,Titan	1	SA	A0244
5-2	DA34-00046B	SWITCH-REED	KYESH,JST,200V,0.5A,DC,L90	1	SA	Z1142
6	DA97-05765B	ASSY HINGE LOW-L	ES-PJT,SSEC	1	SA	M0245
6-1	6003-001435	SCREW-TAPTYPE	HWH,+,S,M5,L12.7,ZPC2(WHT)	1	SNA	M0210
6-2	DA66-00343A	CAM-RISER	USP05(ATOP,ET),NY-66(2110R),BL	1	SNA	M0266
6-3	DA61-03941C	HINGE-LOW L	ES-PJT,SSEC,SCP1+SM45C	1	SNA	A0947
7	DA97-01763F	ASSY HINGE LOW-R	N-PJT,SSEC,ASSY,10.5 GA	1	SA	M0246
7-1	6003-001435	SCREW-TAPTYPE	HWH,+,S,M5,L12.7,ZPC2(WHT)	1	SNA	M0210
7-2	6011-001442	BOLT-SOCKET	M8,L15,ZPC(BLK),SCM435,4mm,F	1	SNA	-
7-3	6021-001125	NUT-HEXAGON	3,M8,ZPC(WHT),SWCH10A	1	SNA	A0837
7-4	DA61-01608E	HINGE-LOW R	N-PJT,SSEC,10,SHP1,T4.5,ZPC{	1	SA	-
7-5	DA66-00343A	CAM-RISER	USP05(ATOP,ET),NY-66(2110R),BL	1	SNA	M0266
8	DA61-30102A	FOOT-FRONT	SR-F5670,PP,NTR,ZPC2-Y	2	SNA	A0577
9	DA61-03151C	BRACKET HINGE-LOW	N07-PJT,2008GVE,AL-606	1	SNA	-
10	DA60-10124A	SCREW-HEX	HWH,-,M6,L16,ZPC(WHT,YEL),SW	4	SNA	T0072
11	DA92-00150C	ASSY PCB KIT	110*20mm	1	SA	Z1144
12	DA63-05460B	COVER LAMP	SUPER STAR,GPPS,W35,L145,tran	1	SA	A0280
13	DA63-04907A	COVER LEG-FRONT	ES09-PJT,SSEC,PP,-,L91	1	SA	A0807
14	DA60-00259B	FITTING TUBE	TUBE FITTING B,PP,1/4'-5/16	1	SA	T0094
15	DA97-05776A	ASSY TRIM-BLADE	ES-PJT,SSEC,-,-,-,NTR,	1	SA	A1202
15-1	DA64-02382A	TRIM-BLADE	ES-PJT,SSEC,PVC,-,T1.5,-,-	1	SNA	M0296
15-2	DA61-03908A	SUPPORT-TRIM BLADE	ES-PJT,SSEC,PP,T2.0,N	1	SNA	-
15-3	6001-001122	SCREW-MACHINE	PH,+,M4,L10,ZPC(WHT),SWR	1	SNA	A0848
16	DA60-90124A	RIVET	-,MSWR10,OD6.0,-,L56,-,-	1	SNA	-
17	DA61-02514A	CASTER-FRONT	N-PJT,SSEC,PP,1D6.2,OD29.5,	1	SNA	M0145
18	DA61-03897A	REINF-CASTER FRONT	ES-PJT,SSEC,CR-SCP1	1	SNA	-
19	DA97-05772C	ASSY CHASSIS-COMP	ES-PJT,SSEC,GVE,-,T1.2	1	SA	A0738
19-1	DA60-90146A	PIN-CASTER	SR-289-429,MSWR10,OD6.0,L38,Z	2	SNA	-
19-2	DA61-00190A	CASTER	SR-32,PP,-,-,-,WHIRLPOOL	2	SNA	-
19-3	DA64-02381C	CHASSIS COMP	ES-PJT,SSEC,SGCC,T1.2,-,-	1	SNA	A0739
20	DA97-05803A	ASSY PIPE-WATER FRE	ES-PJT,SSEC,230V/10W	1	SA	-
20-1	DA47-00270A	HEATER-WATER PIPE	-,ES-PJT,SSEC,-,6W,-,2	1	SA	Z1218
20-2	DA63-03946A	GROMMET-WATER PIPE FILL IN	ES-PJT,SSEC,S	1	SNA	-
20-3	DA62-01680A	SEAL-PIPE WATER	ES-PJT,SSEC,FOAM-PE,GRAY	1	SNA	-
20-4	DA62-01683A	PIPE-AL	ES-PJT,SSEC,AL,-	1	SNA	-
20-5	DA62-01672A	PIPE-WATER FRE A	ES-PJT,SSEC,PP,1D6.5,OD	1	SNA	-

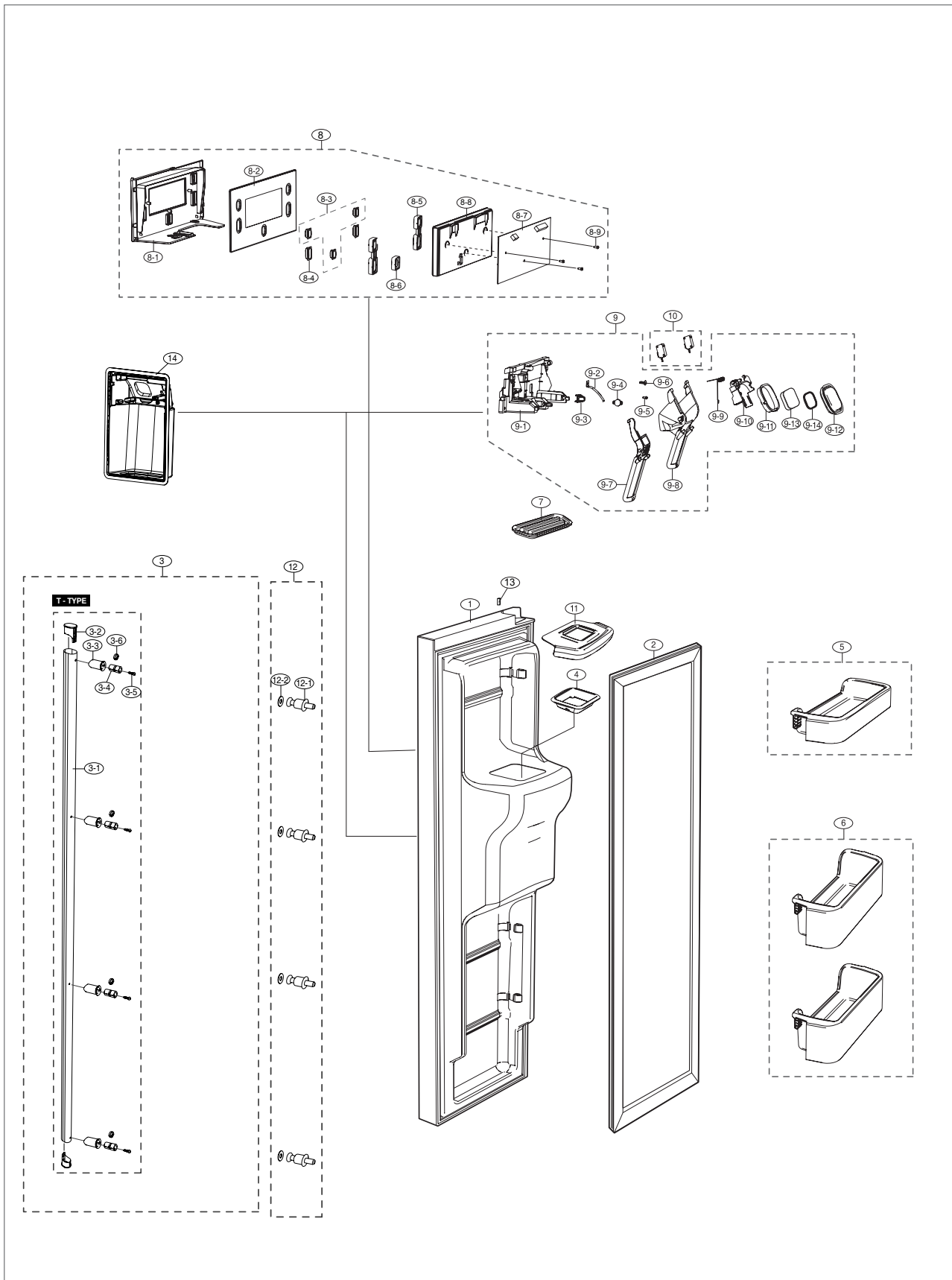
EXPLODED VIEW PART LIST

• Parts List of Cabinet

NO	CODE NO	PART NAME	Specification	Quantity	SA/SNA	SVC NO
20-6	DA62-01368A	PIPE-WATER LINE	LLDPE,WHITE,I,D4.2, O.D6	2	SNA	-
20-7	DA62-01670A	SEAL-TUBE	ES-PJT,SSEC,FOAM-PE,GRAY,-,PIP	1	SNA	-
20-8	DA61-03903A	FIXER VALVE WATER-B	ES-PJT,SSEC,NY66,NTR	1	SNA	-
21	DA63-03952A	COVER PIPE-WATER	ES-PJT,SSEC,PP,-,-,-,-,	1	SNA	-
22	DA97-12199H	ASSY CASE PCB-MAIN	ES-PJT,SSEC,Z-OPTION,	1	SNA	A1138
22-1	DA61-03917A	CASE PCB-PANEL	ES-PJT,SSEC,N-PP,-,-,-,MA	1	SA	A0927
22-2	DA92-00286R	ASSY PCB MAIN	ES-PJT,SSEC,T1.6,L247,FRE	1	SA	A0952
22-3	DA27-00027D	COIL FILTER	ES,8mH,24,82*60,-25 ~ +85 □	1	SA	M0489
22-4	DA92-00279B	ASSY PCB SUB INVERTER	200~240V,50Hz/60Hz	1	SA	M0309
22-5	DA27-00021A	COIL FILTER-REACTOR	ES-PJT(INVERTER),7.5	1	SNA	A1195
23	DA63-03963A	COVER PCB-PANEL	ES-PJT,SSEC,SBHG1,T0.4,W	1	SA	G0089
24	DA96-00929A	ASSY POWER CORD	UCP-2,EUROPE,16A,H05VV-F	1	SA	Z1187
25	DA97-06758F	ASSY COVER COMP	ES10-PJT,SSEC,T0.4,INVER	1	SA	M0076
26	DA94-00213D	ASSY TRAY DRAIN-WATER	-,-,-,-,-,ES-PJT	1	SA	Z1176
26-1	6009-001252	SCREW-SPECIAL	HEX,-,-,-,L8.3,PASS,STS304	4	SNA	T0035
26-2	DA62-03062E	SEAL CUTT-SPONGE	ES-PJT,SSEC,SPONGE,-,T5	1	SNA	G0019
26-3	DA63-03936B	TRAY DRAIN-WATER	ES-PJT,PP,BLK,SCRAP	1	SNA	Z1023
26-4	DA97-05807B	ASSY PIPE-SIPRAL CONDENSER	ES-PJT,SSEC,G	1	SA	A0999
26-5	DA63-40128A	GROMMET-SUB COND	-,NBR,-,-,-,-,-,DARK-	2	SNA	M0181
26-6	DA63-40171B	GROMMET-SUCT PIPE A	-,NBR,OD20,ID4,L20,-	2	SNA	M0333
27	DA97-05808A	ASSY SUPPORT-CIRCUIT MOTOR	ES-PJT,SSEC,-	1	SA	M0116
27-1	DA60-10130G	SCREW-TAPPING	BH,+,-,1,M4,L16,DACRO,SWRC	2	SNA	G0412
27-2	DA31-00146B	MOTOR BLDC	DREP3030LA,1375 RPM,-,DC12V,-	1	SA	A0998
27-3	DA61-03870A	BRACKET-CIRCUIT MOTOR	ES-PJT,SSEC,ABS,-,	1	SNA	A0908
27-4	DA61-03871C	SUPPORT-CIRCUIT MOTOR	ES-PJT,SSEC,ABS,T2	1	SNA	A0907
27-5	DA63-01146A	GROMMET-MOTOR,REAR	A-TOP,NBR,BLACK,BLDC	1	SNA	M0179
27-6	DA63-40167A	GROMMET-COVER CHIL	SILICON,L16,WHITE	1	SNA	M2002
27-7	DA96-00042L	ASSY W/HARNESS-MOTOR	ES-PJT,SSEC,F-FAN	1	SNA	G0088
28	DA31-00010D	FAN-ASSY	ET,ZIPEL,ABS+GF,UNIT,φ150	1	SNA	A0905
28-1	DA31-00015C	FAN-TURBO	ET-PJT,ABS+GF,GR-4010	1	SNA	-
28-2	DA61-20128A	SPRING ETC-FAN	STS304,PI8.8,ID7.8,OD9.8,	1	SNA	A0768
29	DA97-00359A	ASSY TUBE-DRAIN	ET-PJT,-	1	SNA	A1100
30	ENV4A5GL2.J/SJ1	COMPRESSOR	BLDC IPM,15.32CC,220-240V,FAN	1	SA	Z1180
31	DA62-01469H	DRYER	W07,CU,OD18.8,T0.46,L115	1	SA	A0669
32	DA60-20008A	BOLT-HEX	SWCH45K,WHITE,ZPC	4	SA	A0564
33	DA63-02617A	GROMMET COMP	USP05,EPDM,OD27.0,BLACK	4	SA	Z1112
34	DA39-00154H	WIRE HARNESS-COMP	35151-061*,2005820-1,F	1	SA	A0035
35	DA63-01077C	COVER-PURIFIER	ES,2008GVE,HIPS,NTR	1	SA	A0985
36	DA97-02682A	ASSY VALVE WATER	EPEL,-,-,-,-	1	SA	M0315
37	DA97-05786B	ASSY TANK WATER	ES-PJT,SSEC,-,-,-,-,-,	1	SA	M0042
38	DA61-03872C	FIXER HOSE-REAR FRAME	ES-PJT,VE,HIPS,NTR	1	SA	-
39	DA39-20389C	WIRE HARNESS-EARTH	1,YELLOW/GREEN,ST 710	1	SA	A0562

EXPLODED VIEW PART LIST

Freezer Door



EXPLODED VIEW PART LIST

• Parts List of Freezer Door

NO	CODE NO	PART NAME	Specification	Quantity	SA/SNA	SVC NO
1	DA91-02992L	ASSY DOOR FOAM FRE	ES,SSEC,TS,LOCK,DJUJZ	1	SA	A0051
2	DA63-07738A	GASKET DOOR-FRE	ES-PJT,PVC,GRAY	1	SA	A0081
3	DA97-06256N	ASSY HANDLE	ES-PJT,SSEC,ABS,T2.5,PLATINU	1	SA	A0553
3-1	DA64-02389B	HANDLE BAR	ES-PJT,SSEC,ABS,L1663,PLATINU	1	SNA	A0265
3-2	DA67-01886H	CAP-HANDLE	ES-PJT,SSEC,ABS,PLATINUM SILV	2	SNA	M0062
3-3	DA67-01887B	CAP-SUPT HANDLE	ES-PJT,SSEC,ABS,L29.6,TI	4	SNA	A0819
3-4	DA61-03906A	SUPPORT-HANDLE	ES-PJT,SSEC,ABS+PC	4	SNA	-
3-5	6002-001109	SCREW-TAPPING	BH,+,-,1,M4,L16,DACRO,SWRC	4	SNA	G0412
3-6	DA61-03951A	STOPPER-HANDLE	ES-PJT,SSEC,SK5,-,-,-,-,-	4	SNA	-
4	DA67-01865A	CAP-CHUTE ICE	ES-PJT,SSEC,ABS,T1.8,W106,	1	SA	M0139
5	DA63-04017A	GUARD FRE-UPP	ES-PJT,SSEC,PP,-,-,-,COOL	1	SA	A0623
6	DA63-03996B	GUARD FRE-LOW	ES-PJT,ADD FILM,PP,COOL WH	2	SA	A0622
7	DA63-04001B	TRAY DISPENSER	ES-PJT,SSEC,ABS,W64.2,L17	1	SA	M0026
8	DA97-06018A	ASSY COVER DISPLAY	ES-PJT,SSEC,-,-,EN,FR	1	SA	A0260
8-1	DA63-04027A	COVER DISPLAY	ES-PJT,SSEC,PP,W125,L240.6	1	SA	A0278
8-2	DA63-04213A	COVER DISPLAY-SUB	ES-PJT,SSEC,ACRYL,T3,L	1	SNA	-
8-3	DA64-02384A	BUTTON-CONTROL B	ES-PJT,SSEC,ABS+PMMA,L1	3	SNA	-
8-4	DA64-02387A	BUTTON-CONTROL A	ES-PJT,SSEC,ABS+PMMA,-,	2	SNA	-
8-5	DA63-03944A	GROMMET-BUTTON CONTROL A	ES-PJT,SSEC,SIL	2	SNA	-
8-6	DA63-03945A	GROMMET-BUTTON CONTROL B	ES-PJT,SSEC,SIL	1	SNA	-
8-7	DA41-00533A	ASSY PCB KIT LED	ES-PJT,SSEC,EN,FR-4,W88	1	SA	G0069
8-8	DA61-04100A	CASE-PBA DISPLAY	ES-PJT,SSEC,PP,W94.2,L2	1	SNA	A0142
8-9	6002-000319	SCREW-TAPPING	BH,+,-,1,M4,L16,DACRO,SWRC	3	SNA	G0412
9	DA97-06021B	ASSY CASE-LEVER DISPENSER	ES-PJT,SSEC,-,	1	SA	M0235
9-1	DA61-04038B	CASE-LEVER DISPENSER	ES-PJT,SSEC,HIPS,NT	1	SNA	-
9-2	DA61-03928A	SPRING ETC-LEVER DISP WATER	ES-PJT,SSEC,	1	SNA	-
9-3	DA61-03909A	BRACKET-OIL DAMPER	ES-PJT,SSEC,ABS,L16.8	1	SNA	-
9-4	DA61-01869A	OIL DAMPER	AD,PC+POM,120g/Cm,OD15	1	SNA	-
9-5	6002-000319	SCREW-TAPPING	BH,+,-,1,M4,L16,DACRO,SWRC	1	SNA	G0412
9-6	DA60-10130B	SCREW-TAPPING	BH,+,-,1,M4,L16,DACRO,SWRC	1	SNA	G0412
9-7	DA66-00521A	LEVER DISPENSER-WATER	ES-PJT,SSEC,SAN,T2	1	SNA	-
9-8	DA66-00520A	LEVER DISPENSER-ICE	ES-PJT,SSEC,SAN,-,-,	1	SNA	-
9-9	DA61-03929A	SPRING ETC-COVER ICE ROUTE	ES-PJT,SSEC,S	1	SNA	M0216
9-10	DA63-03950B	COVER-ICE ROUTE A	ES-PJT,SSEC,ABS,-,-,-,	1	SNA	-
9-11	DA63-03939B	COVER-ICE ROUTE B	ES-PJT,SSEC,HIPS,-,-,-	1	SNA	-
9-12	DA63-03941A	GASKET-COVER ICE ROUTE	ES-PJT,SSEC,SILIC	1	SNA	-
9-13	DA62-01669A	SEAL-COVER ICE ROUTE	ES-PJT,SSEC,FOAM-LE	1	SNA	-
9-14	DA62-01710A	SEAL-COVER ICE ROUTE	ES-PJT,SSEC,FOAM-LE	1	SNA	-
10	DA34-00011B	SWITCH MICRO	250V,16A,Max 200g	2	SA	M0225
11	DA63-03995A	GUARD FRE-SUB	ES-PJT,SSEC,PP,COOL WHT	1	SA	-
12	DA97-05790B	ASSY BRACKET-HANDLE	ES-PJT,SSEC,SWRC10A,	4	SA	A1211
12-1	DA61-03927A	BRACKET-HANDLE	ES-PJT,SSEC,SWRC10A,L10.5	4	SNA	-
12-2	DA63-03943B	GROMMET-HANDLE	ES-PJT,SSEC,SILICON,T1.5,	4	SNA	-
13	DA61-03949A	MAGNET	ES-PJT,SSEC,-	1	SA	A0534

EXPLODED VIEW PART LIST

Fridge Door

