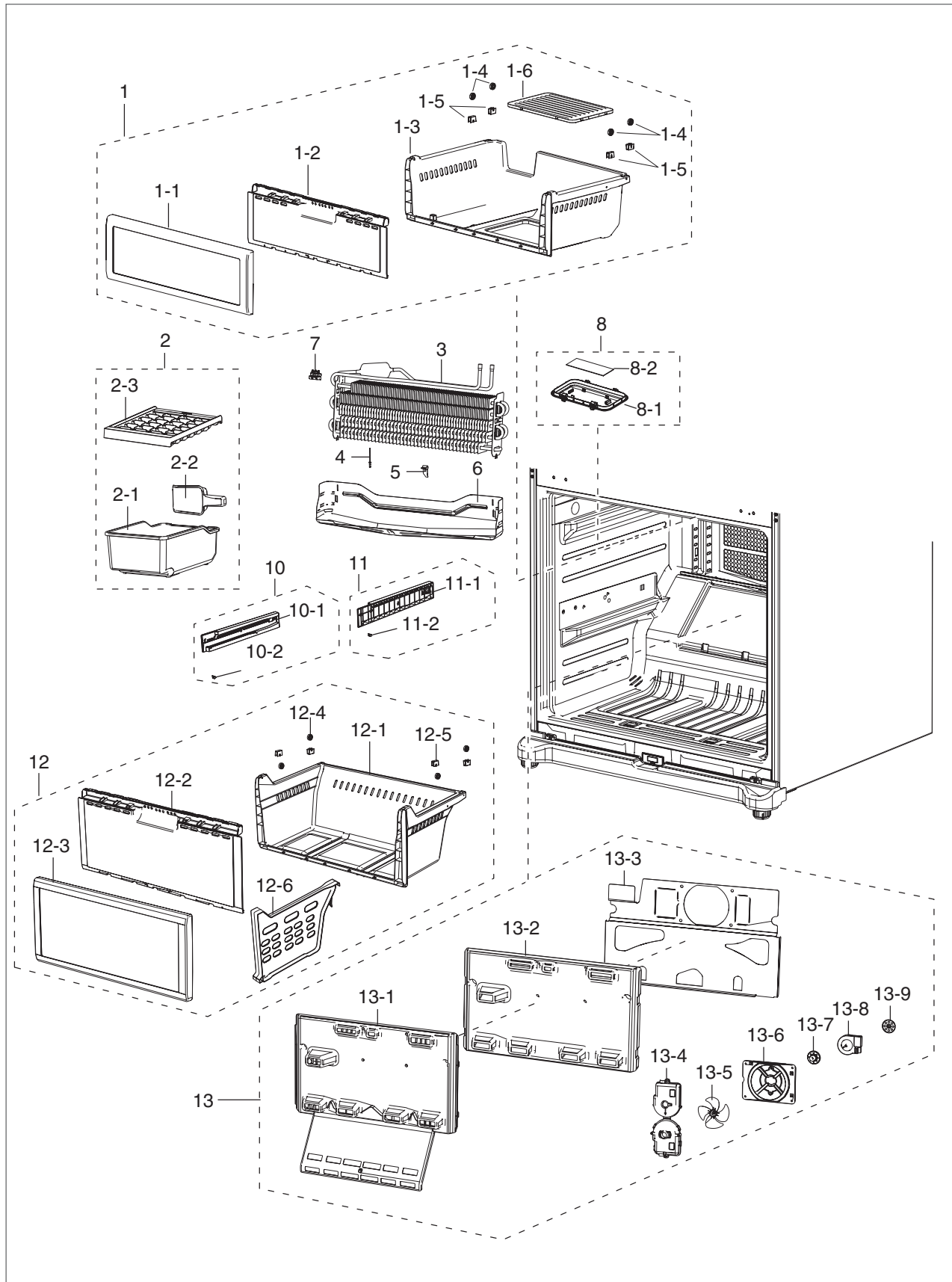


5 . EXPLODED VIEW & PARTS LIST

5-1) Freezer



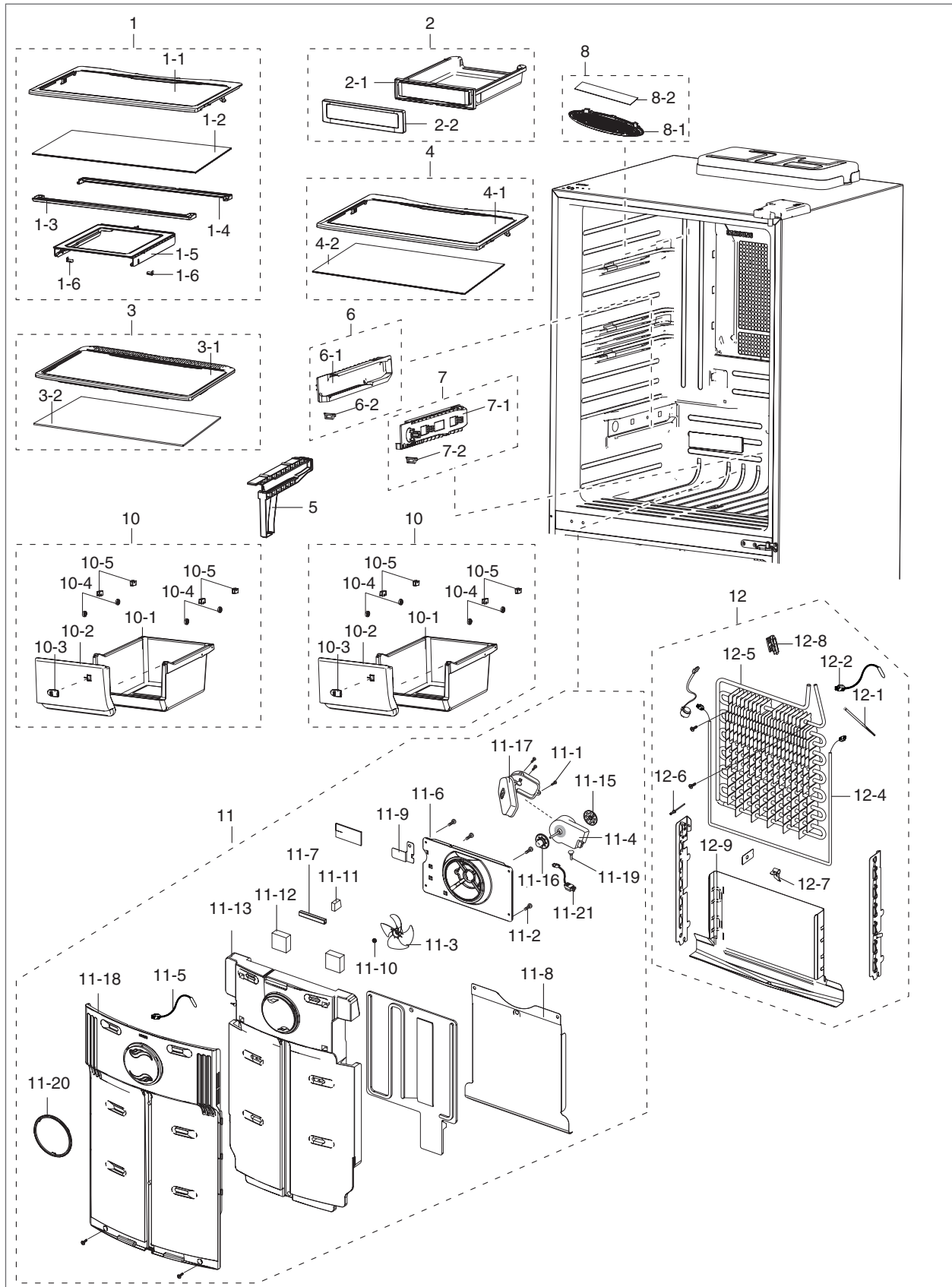
EXPLODED VIEW & PARTS LIST

■ Parts List of Freezer

NO	PART NAME	RL62**		RL67**		QUAN TITY	RE MARK
		RL62VC	RL62ZB	RL67VC	RL67ZB		
1	ASSY TRAY-FRE UPP	DA97-08860A	DA97-08860A	DA97-08859A	DA97-08859A	1	RI242
1-1	COVER-TRAY FRE UPP A	DA63-04455A	DA63-04455A	DA63-04455A	DA63-04455A	1	RI064
1-2	COVER-TRAY FRE UPP B	DA63-04456A	DA63-04456A	DA63-04456A	DA63-04456A	1	RI062
1-3	TRAY-FRE UPP	DA63-05606A	DA63-05606A	DA63-05607A	DA63-05607A	1	RF002
1-4	ROLLER-FRE	DA66-10104A	DA66-10104A	DA66-10104A	DA66-10104A	4	RW648
1-5	FIXER-ROLLER	DA71-20145A	DA71-20145A	DA71-20145A	DA71-20145A	4	RH029
1-6	WINDOW-TRAY FRE UPP	DA64-02823A	DA64-02823A	DA61-02823A	DA61-02823A	1	
2	ASSY CASE-ICE CUBE	DA97-04845A	DA97-04845A	DA97-04845A	DA97-04845A	1	RM001
2-1	CASE-ICE CUBE	DA61-03189A	DA61-03189A	DA61-03189A	DA61-03189A	1	RM012
2-2	SCOOP ICE	DA67-01231A	DA67-01231A	DA67-01231A	DA67-01231A	1	RI247
2-3	TRAY ICE	DA63-04476A	DA63-04476A	DA63-04476A	DA63-04476A	1	
3	ASSY EVAP-FRE	DA96-00480G	DA96-00480G	DA96-00480G	DA96-00480G	1	RF011
4	RIVET-AVEX	DA60-90005A	DA60-90005A	DA60-90005A	DA60-90005A	1	
5	PLATE EVAP HEATER	DA61-03644A	DA61-03644A	DA61-03644A	DA61-03644A	1	RI157
6	PLATE-DRAIN FRE	DA61-04462A	DA61-04462A	DA61-04462A	DA61-04462A	1	RF026
7	THERMO BIMETAL-PROTECTOR	DA47-00285P	DA47-00285P	DA47-00285P	DA47-00285P	1	RI074
8	ASSY COVER-LAMP FRE	DA97-08607A	DA97-08607A	DA97-08607A	DA97-08607A	1	
8-1	COVER-LAMP FRE	DA63-04955A	DA63-04955A	DA63-04955A	DA63-04955A	1	
8-2	ASSY-LAMP LED	DA96-00398K	DA96-00398K	DA96-00398K	DA96-00398K	1	
10	ASSY RAIL-FRE LOW R	DA97-06666A	DA97-06666A	DA97-06667A	DA97-06667A	1	
10-1	RAIL-FRE LOW R	DA61-04483A	DA61-04483A	DA61-04482A	DA61-04482A	1	RF171
10-2	GROMMET	DA63-40006A	DA63-40006A	DA63-40006A	DA63-40006A	1	RW374
11	ASSY RAIL-FRE LOW L	DA97-06665A	DA97-06665A	DA97-06668A	DA97-06668A	1	
11-1	RAIL-FRE LOW L	DA61-04484A	DA61-04484A	DA61-04481A	DA61-04481A	1	RF085
11-2	GROMMET	DA63-40006A	DA63-40006A	DA63-40006A	DA63-40006A	1	RW374
12	ASSY TRAY-FRE LOW	DA97-06672A	DA97-06672A	DA97-06671B	DA97-06671B	1	
12-1	TRAY-FRE LOW	DA63-04458A	DA63-04458A	DA63-04459A	DA63-04459A	1	RI057
12-2	COVER-TRAY FRE LOW B	DA63-04460A	DA63-04460A	DA63-04460A	DA63-04460A	1	
12-3	COVER-TRAY FRE LOW A	DA63-04461A	DA63-04461A	DA63-04461A	DA63-04461A	1	
12-4	ROLLER-FRE	DA66-10104A	DA66-10104A	DA66-10104A	DA66-10104A	4	RW648
12-5	FIXER-ROLLER	DA71-20145A	DA71-20145A	DA71-20145A	DA71-20145A	4	RH029
12-6	GUIDE-TRAY FRE LOW	-	-	DA61-05026A	DA61-05026A	1	
13	ASSY COVER-EVAP FRE	DA97-06657C	DA97-06657C	DA97-06657C	DA97-06657C	1	RF005
13-1	COVER-EVAP FRE	DA63-04444A	DA63-04444A	DA63-04444A	DA63-04444A	1	RF005
13-2	INSULATION-EVAP FRE	DA62-01942A	DA62-01942A	DA62-01942A	DA62-01942A	1	RI232
13-3	PLATE-INS EVAP FRE	DA61-04461A	DA61-04461A	DA61-04461A	DA61-04461A	1	RF092
13-4	COVER MOTOR-BLDC	DA63-01809A	DA63-01809A	DA63-01809A	DA63-01809A	1	RF083
13-5	FAN-AX100W4CC-T1	DA31-00124A	DA31-00124A	DA31-00124A	DA31-00124A	1	RI085
13-6	CASE-MOTOR FRE	DA61-03183A	DA61-03183A	DA61-03183A	DA61-03183A	1	RF120
13-7	GROMMET-MOTOR,FRONT	DA63-01808A	DA63-01808A	DA63-01808A	DA63-01808A	1	RO137
13-8	MOTOR BLDC	DA31-00146H	DA31-00146H	DA31-00146H	DA31-00146H	1	RI089
13-9	GROMMET-MOTOR,REAR	DA63-01146A	DA63-01146A	DA63-01146A	DA63-01146A	1	RO138

EXPLODED VIEW & PARTS LIST

5-2) Refrigerator



EXPLODED VIEW & PARTS LIST

■ Parts List of Refrigerator

NO	PART NAME	RL62**		RL67**		QUAN TITY	RE MARK
		RL62VC	RL62ZB	RL67VC	RL67ZB		
1	ASSY SHELF-REF UPP	DA97-06685A	-	DA97-06686A	-	1	RI041
1-1	TRIM SHELF-REF	DA64-02644A	-	DA64-02645A	-	1	RI079
1-2	GLASS-SHELF	DA64-02646A	-	DA64-02647A	-	1	RI037
1-3	SUPPORT-GUIDE RAIL FRONT	DA61-04511A	-	-	-	1	
1-4	SUPPORT-GUIDE RAIL REAR	DA61-04510A	-	-	-	1	
1-5	GUIDE-RAIL	DA61-04505A	-	-	-	1	
1-6	GROMMET-RAIL	DA63-00202A	-	-	-	2	RI088
2	ASSY TRAY-CHILLED ROOM	DA97-06677A	-	DA97-06674A	-	1	RI018
2-1	TRAY CHIL ROOM	DA63-04463A	-	DA63-04464A	-	1	RI018
2-2	COVER-TRAY CHIL ROOM	DA63-04465A	-	-	-	1	
3	ASSY SHELF-TRIM REF MID	DA97-06687A	-	DA97-06675A	-	1	
3-1	TRIM SHELF-REF	DA64-02644A	-	DA64-02645A	-	1	RI079
3-2	GLASS-SHELF	DA64-02646A	-	DA64-02647A	-	1	RI037
4	ASSY COVER-VEG	DA97-00663C	-	DA97-00663D	-	1	RI997
4-1	TRIM-COVER VEG	DA64-00449B	-	DA64-00448B	-	1	RI091
4-2	SHELF-GLASS	DA67-00505L	-	DA67-00505M	-	1	RF183
5	RAIL-VEG, MID	DA61-00761B	-	DA61-00760B	-	1	RI030
6	ASSY RAIL-VEG, L	DA97-00103N	-	-	-	1	RI028
6-1	RAIL-VEG	DA61-60126E	-	-	-	1	RI028
6-2	GROMMET	DA63-40006A	-	-	-	1	RW374
7	ASSY RAIL-VEG, R	DA97-00103P	-	-	-	1	
7-1	RAIL-VEG	DA61-60127E	-	-	-	1	RI029
7-2	GROMMET	DA63-40006A	-	-	-	1	RI028
8	ASSY COVER - LAMP REF	DA97-08606A	DA97-08606A	DA97-08606A	DA97-08606A	1	
8-1	COVER LAMP-REF	DA63-05430A	DA63-05430A	DA63-05430A	DA63-05430A	1	
8-2	ASSY-LAMP LED	DA96-00398F	DA96-00398F	DA96-00398F	DA96-00398F	1	
10	ASSY CASE-VEG REF	DA97-06725A	-	DA97-06700A	-	2	RI999
10-1	CASE-VEG,REF	DA61-00759A	-	DA61-00762A	-	1	RI999
10-2	COVER-VEG REF	DA63-04445A	-	-	-	1	RI010
10-3	KNOB-HUMIDITY	DA64-00656A	-	-	-	1	RW508
10-4	ROLLER-FRE	DA66-10104A	-	-	-	4	RW648
10-5	FIXER-ROLLER	DA71-20145A	-	-	-	4	RH029
11	ASSY COVER EVAP-REF	DA97-06656A	-	-	-	1	
11-1	SCREW-TAPPING	6002-000213	-	-	-	3	RS047
11-2	SCREW-TAPPING	6002-000215	-	-	-	4	RS080
11-3	FAN-AX100W4CC-T1	DA31-00124A	-	-	-	1	RI085
11-4	MOTOR BLDC	DA31-00146H	-	-	-	1	RI089
11-5	SENSOR TEMP	DA32-10105X	-	-	-	1	RQ684
11-6	CASE-MOTOR REF	DA61-03181A	-	-	-	1	RF121
11-7	GUIDE-INS EVAP REF	DA61-03182A	-	-	-	1	RI210
11-8	PLATE-INS EVAP REF	DA61-03186A	-	-	-	1	
11-9	PLATE-HOUSING REF	DA61-03599A	-	-	-	1	RI307
11-10	SPRING ETC-FAN	DA61-20128A	-	-	-	1	RW716
11-11	INSULATION-EVAP SUB	DA62-01383A	-	-	-	1	RI232
11-12	INSULATION-EVAP DUCT	DA62-01423A	-	-	-	2	RI236
11-13	INSULATION-EVAP REF	DA62-01941A	-	-	-	1	RI231
11-14	INSULATION-EVAP REAR	DA62-01969A	-	-	-	1	RI233
11-15	GROMMET-MOTOR,REAR	DA63-01146A	-	-	-	1	RO138

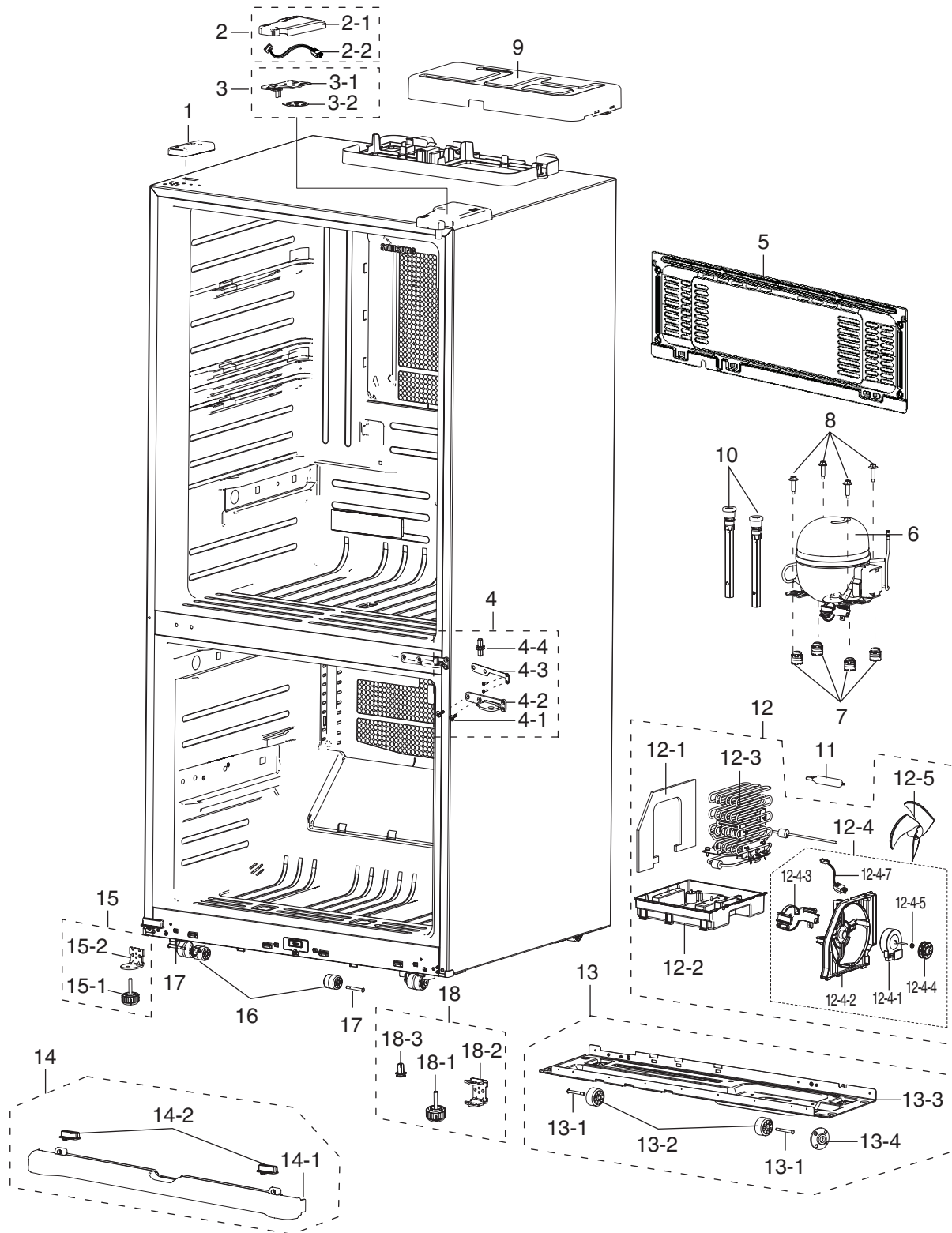
EXPLODED VIEW & PARTS LIST

■ Parts List of Refrigerator

NO	PART NAME	RL62**		RL67**		QUAN TITY	RE MARK
		RL62VC	RL62ZB	RL67VC	RL67ZB		
11-16	GROMMET-MOTOR,FRONT	DA63-01808A	-	-	-	1	RO137
11-17	COVER MOTOR-BLDC	DA63-01809A	-	-	-	1	RF083
11-18	COVER-EVAP REF	DA63-04439A	-	-	-	1	RI024
11-19	GROMMET-COVER CHIL	DA63-40167A	-	-	-	1	RI087
11-20	TRIM-COVER EVAP REF	DA64-02065A	-	-	-	1	RI241
11-21	ASSY-HARNESS MOTOR	DA96-00042J	-	-	-	1	
12	ASSY EVAP-REF	DA96-00461H	-	-	-	1	
12-1	CABLE TIE	6501-000123	-	-	-	1	RO101
12-2	SENSOR TEMP	DA32-00027B	-	-	-	1	
12-3	THERMO FUSE-ASSY	DA47-00301D	-	-	-	1	
12-4	HEATER-METAL SHEATH	DA47-00244F	-	-	-	1	
12-5	EVAP REF	DA59-00357B	-	-	-	1	RI016
12-6	RIVET-AVEX	DA60-90005A	-	-	-	1	
12-7	PLATE-EVAP HEATER	DA61-03644A	-	-	-	1	RF170
12-8	FIXER-SENSER	DA61-03683A	-	-	-	1	RM017
12-9	PLATE-DRAIN REF	DA61-04148A	-	-	-	1	RF026

EXPLODED VIEW & PARTS LIST

5-3) Cabinet



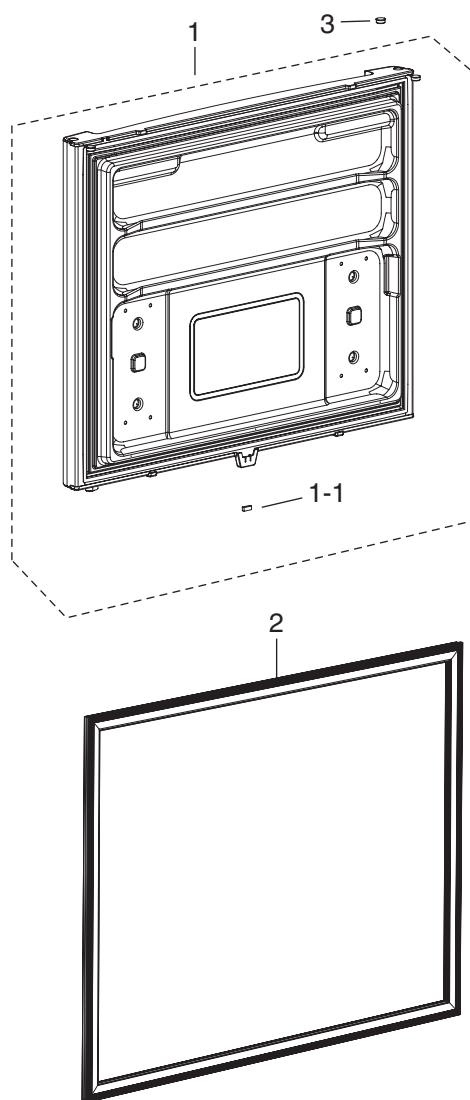
EXPLODED VIEW & PARTS LIST

■ Parts List of Cabinet

NO	PART NAME	RL62**		RL67**		QUAN TITY	RE MARK
		RL62VC	RL62ZB	RL67VC	RL67ZB		
1	COVER HINGE-UPP L	DA63-02520A	-	-	-	1	
2	ASSY COVER HINGE-UPP R	DA97-06705A	-	-	-	1	RO045
2-1	COVER HINGE-UPP R	DA63-04441A	-	-	-	1	RO045
2-2	SWITCH REED-ASS'Y	DA34-00043C	-	-	-	1	RO150
3	ASSY HINGE UPP-R	DA97-06716C	-	-	-	1	RO042
3-1	HINGE-UPP R	DA61-04476B	-	-	-	1	RO128
3-2	SHIM HINGE-UPP	DA63-02527B	-	-	-	1	RO067
4	ASSY HINGE-MID	DA97-07105A	-	-	-	1	RO039
4-1	SCREW-SPECIAL	6009-001548	-	-	-	2	RQ747
4-2	HINGE-MID R	DA61-04917A	-	-	-	1	RO123
4-3	SHIM-HINGE MID	DA63-04694A	-	-	-	1	RO123
4-4	SHAFT-HINGE	DA66-00610A	-	-	-	1	RC012
5	ASSY COVER-COMP	DA97-07971A	-	-	-	1	
6	COMPRESSOR	EU4A5QXTL/E01				1	RH002
7	GROMMET COMP	DA63-04430A	-	-	-	4	RH015
8	BOLT-HEX	DA60-20008A	-	-	-	4	RW074
9	COVER PCB-PANEL	DA63-03020B	-	-	-	1	RH004
10	ASSY CAP-DRAIN	DA97-04049A	-	-	-	2	RZ110
11	DRYER	DA62-01514A	-	-	-	1	RH014
12	ASSY TRAY-DRAIN WATER	DA97-06698B	-	-	-	1	RH003
12-1	SEAL-SUB COND	DA62-00954A	-	-	-	1	RH030
12-2	TRAY DRAIN-WATER	DA63-04466B	-	-	-	1	RH003
12-3	ASSY PIPE-SUB COND	DA97-02791B	-	-	-	1	RW005
12-4	ASSY SUPPORT-CIRCUIT MOTOR	DA97-03145L	-	-	-	1	RO132
12-4-1	MOTOR BLDC	DA31-00146B	-	-	-	1	RI089
12-4-2	SUPPORT-CIRCUIT MOTOR	DA61-02349B	-	-	-	1	RF033
12-4-3	BRACKET-CIRCUIT MOTOR	DA61-02355B	-	-	-	1	RH039
12-4-4	GROMMET-MOTOR,REAR	DA63-01146A	-	-	-	1	RO138
12-4-5	GROMMET-COVER CHIL	DA63-40167A	-	-	-	1	RI087
12-4-6	ASSY-HARNESS MOTOR	DA96-00042A	-	-	-	1	RI133
12-5	FAN-ASS'Y	DA31-00010D	-	-	-	1	RI085
13	ASSY CHASSIS COMP	DA97-06815B	-	-	-	1	
13-1	PIN-CASTER	DA66-00649A	-	-	-	2	RH019
13-2	CASTER-REAR	DA61-04703A	-	-	-	2	RH011
13-3	CHASSIS COMP	DA64-02694A	-	-	-	1	RO002
13-4	BRACKET-CABI	DA71-50240B	-	-	-	1	
14	ASSY COVER LEG FRONT	DA97-07836A	-	-	-	1	
14-1	COVER LEG-FRONT	DA63-05106A	-	-	-	1	RO003
14-2	CAP LEG FRONT	DA67-02071A	-	-	-	2	
15	ASSY SUPPORT-FOOT FRONT	DA97-06688B	-	-	-	1	
15-1	FOOT-FRONT	DA61-04977A	-	-	-	1	RO001
15-2	SUPPORT-FOOT FRONT	DA61-04490A	-	-	-	1	RO158
16	CASTER-FRONT	DA61-04702A	-	-	-	2	RH009
17	RIVET	DA61-01920A	-	-	-	2	RH012
18	ASSY HINGE LOW	DA97-06706B	-	-	-	1	RO036
18-1	FOOT-FRONT	DA61-00805D	-	-	-	1	RO001
18-2	HINGE-LOW	DA61-04488A	-	-	-	1	RO036
18-3	SHAFT HINGE-MID	DA66-00611A	-	-	-	1	

EXPLODED VIEW & PARTS LIST

5-4) Disassembly of Freezer Door



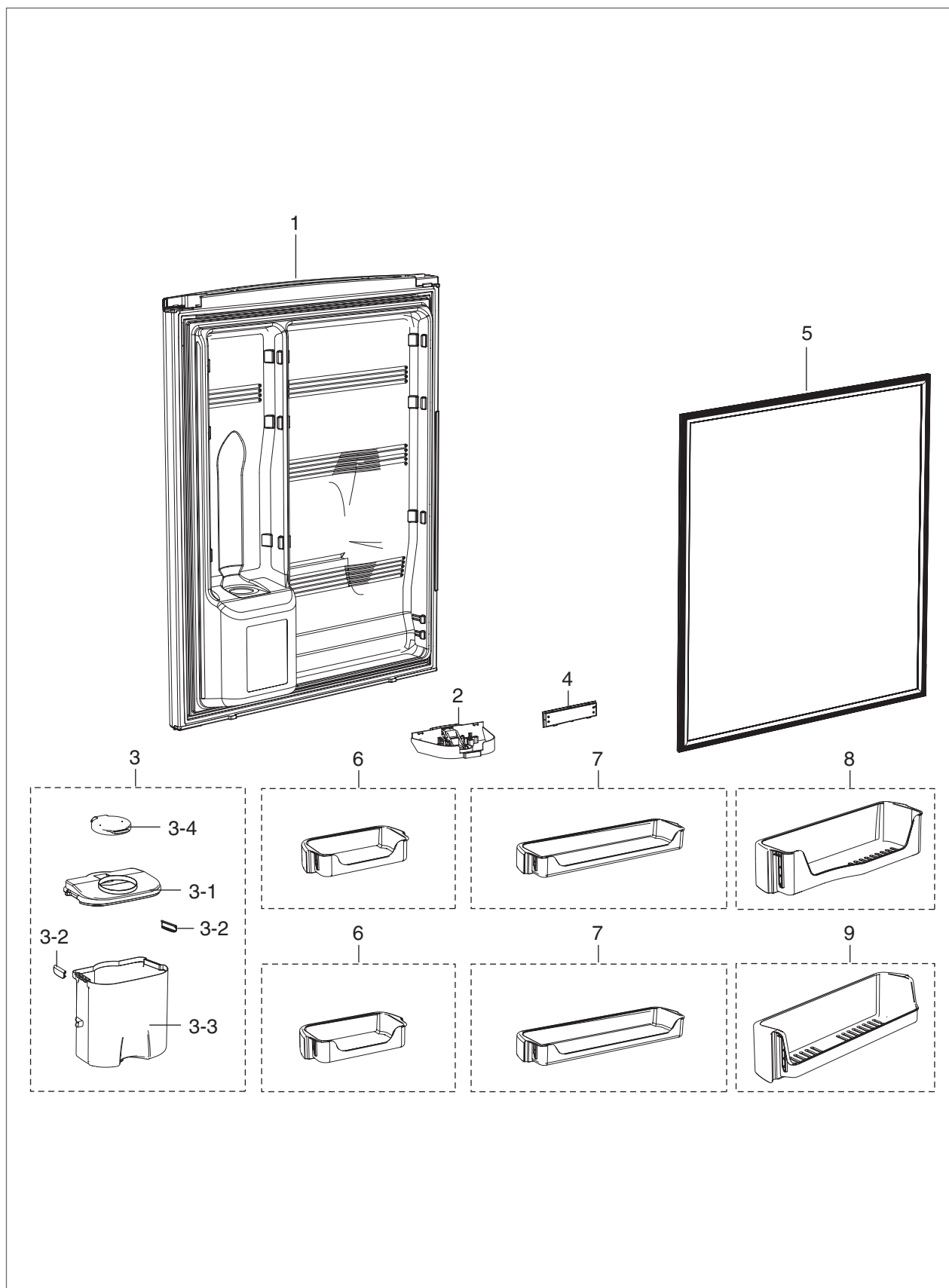
EXPLODED VIEW & PARTS LIST

■ Parts List of Freezer Door (RB215AC/RB195AC)

NO	PART NAME	RL62**		RL67**		QUAN TITY	RE MARK
		RL62VC	RL62ZB	RL67VC	RL67ZB		
1	ASSY DOOR FOAM FRE(STAINLESS PLATINUM)	DA91-02761F	DA91-02761F	DA91-02761F	DA91-02761F	1	RD001
1	ASSY DOOR FOAM FRE(EMBO WHITE)	DA91-02761J	DA91-02761J	DA91-02761J	DA91-02761J	1	
1	ASSY DOOR FOAM FRE(VERSAILLES STS)	DA91-02761A	DA91-02761A	DA91-02761A	DA91-02761A	1	
1	ASSY DOOR FOAM FRE(PLATINUM INOX)	DA91-02761D	DA91-02761D	DA91-02761D	DA91-02761D	1	
1	ASSY DOOR FOAM FRE(Snow White)	DA91-02761H	DA91-02761H	DA91-02761H	DA91-02761H	1	
1	ASSY DOOR FOAM FRE(I-BLACK)	DA91-02761B	DA91-02761B	DA91-02761B	DA91-02761B	1	
1	ASSY DOOR FOAM FRE(VANILLA BEIGE)	DA91-02761G	DA91-02761G	DA91-02761G	DA91-02761G	1	
1	ASSY DOOR FOAM FRE(TITAN GRAY)	DA91-02761M	DA91-02761M	DA91-02761M	DA91-02761M	1	
1-1	MAGNET	DA61-03769A	DA61-03769A	DA61-03769A	DA61-03769A	1	
2	ASSY-GASKET DOOR FRE(GRAY)	DA97-06694A	DA97-06694A	DA97-06694A	DA97-06694A	1	RD012
2	ASSY-GASKET DOOR FRE(BLACK)	DA97-06694B	DA97-06694B	DA97-06694B	DA97-06694B	1	
3	CAP-HINGE HOLE(CREAMY STS)	DA67-02076A	DA67-02076A	DA67-02076A	DA67-02076A	1	
3	CAP-HINGE HOLE(I BLACK)	DA67-02076B	DA67-02076B	DA67-02076B	DA67-02076B	1	
3	CAP-HINGE HOLE(SNOW WHITE)	DA67-02076C	DA67-02076C	DA67-02076C	DA67-02076C	1	
3	CAP-HINGE HOLE(VANILLA BEIGE)	DA67-02076D	DA67-02076D	DA67-02076D	DA67-02076D	1	
3	CAP-HINGE HOLE(STAINLESS PLATINUM)	DA67-02076E	DA67-02076E	DA67-02076E	DA67-02076E	1	
3	CAP-HINGE HOLE(TITAN GRAY)	DA67-02076G	DA67-02076G	DA67-02076G	DA67-02076G	1	

EXPLODED VIEW & PARTS LIST

5-5) Disassembly of Refrigerator Door (Dispenser)



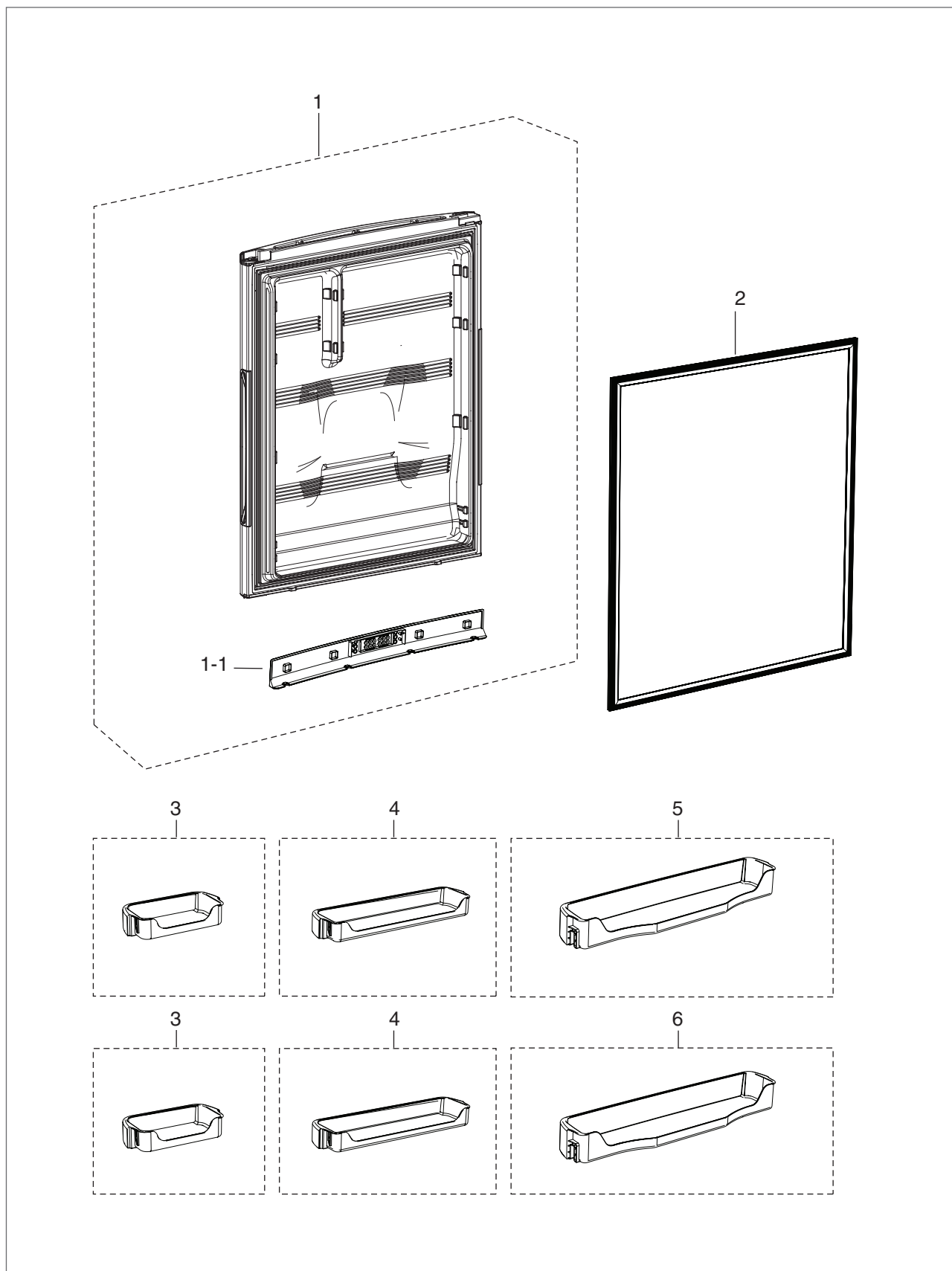
EXPLODED VIEW & PARTS LIST

■ Disassembly of Refrigerator Door (Dispenser)

NO	PART NAME	RL62**		RL67**		QUAN TITY	RE MARK
		RL62VC	RL62ZB	RL67VC	RL67ZB		
1	ASSY DOOR FOAM REF	DA91-03013C	DA91-03013C	DA91-03013C	DA91-03013C	1	
1	ASSY DOOR FOAM REF	DA91-03013D	DA91-03013D	DA91-03013D	DA91-03013D	1	
1	ASSY DOOR FOAM REF	DA91-03013E	DA91-03013E	DA91-03013E	DA91-03013E	1	
1	ASSY DOOR FOAM REF	DA91-03013F	DA91-03013F	DA91-03013F	DA91-03013F	1	
1	ASSY DOOR FOAM REF	DA91-03013G	DA91-03013G	DA91-03013G	DA91-03013G	1	
1	ASSY DOOR FOAM REF	DA91-03013H	DA91-03013H	DA91-03013H	DA91-03013H	1	
1	ASSY DOOR FOAM REF	DA91-03013J	DA91-03013J	DA91-03013J	DA91-03013J	1	
1	ASSY DOOR FOAM REF	DA91-03013L	DA91-03013L	DA91-03013L	DA91-03013L	1	
1	ASSY DOOR FOAM REF	DA91-03013M	DA91-03013M	DA91-03013M	DA91-03013M	1	
2	ASSY-COVER DISPENSER	DA97-00193T	DA97-00193T	DA97-00193T	DA97-00193T	1	
2	ASSY-COVER DISPENSER	DA97-00193V	DA97-00193V	DA97-00193V	DA97-00193V	1	
2	ASSY-COVER DISPENSER	DA97-00193W	DA97-00193W	DA97-00193W	DA97-00193W	1	
2	ASSY-COVER DISPENSER	DA97-00193A	DA97-00193A	DA97-00193A	DA97-00193A	1	
3	ASSY TANK WATER-DISPENSER	DA97-00216D	DA97-00216D	DA97-00216D	DA97-00216D	1	
3-1	COVER-WATER TANK	DA63-00902B	DA63-00902B	DA63-00902B	DA63-00902B	1	
3-2	CLAMPER BAG-CLAMP TANK	DA65-20004B	DA65-20004B	DA65-20004B	DA65-20004B	2	
3-3	TANK WATER	DA67-00545B	DA67-00545B	DA67-00545B	DA67-00545B	1	
3-4	CAP-COVER TANK	DA67-30216D	DA67-30216D	DA67-30216D	DA67-30216D	1	
3-5	ASSY-COCK,DISPENSER	DA97-00217D	DA97-00217D	DA97-00217D	DA97-00217D	1	
4	ASSY COVER CONTROL-DISP	DA97-06732G	DA97-06732G	DA97-06732G	DA97-06732G	1	
4	ASSY COVER CONTROL-DISP	DA97-06732J	DA97-06732J	DA97-06732J	DA97-06732J	1	
4	ASSY COVER CONTROL-DISP	DA97-06732K	DA97-06732K	DA97-06732K	DA97-06732K	1	
4	ASSY COVER CONTROL-DISP	DA97-06732M	DA97-06732M	DA97-06732M	DA97-06732M	1	
4	ASSY COVER CONTROL-DISP	DA97-06732N	DA97-06732N	DA97-06732N	DA97-06732N	1	
4	ASSY COVER CONTROL-DISP	DA97-06732P	DA97-06732P	DA97-06732P	DA97-06732P	1	
4	ASSY COVER CONTROL-DISP	DA97-06732Q	DA97-06732Q	DA97-06732Q	DA97-06732Q	1	
4	ASSY COVER CONTROL-DISP	DA97-06732R	DA97-06732R	DA97-06732R	DA97-06732R	1	
4	ASSY COVER CONTROL-DISP	DA97-06732S	DA97-06732S	DA97-06732S	DA97-06732S	1	
4	ASSY COVER CONTROL-DISP	DA97-06732T	DA97-06732T	DA97-06732T	DA97-06732T	1	
5	ASSY-GASKET DOOR REF	DA97-06693A	DA97-06693A	DA97-06693A	DA97-06693A	1	
5	ASSY-GASKET DOOR REF	DA97-06693B	DA97-06693B	DA97-06693B	DA97-06693B	1	
6	GUARD-REF UPP L	DA63-00926D	DA63-00926D	DA63-00926D	DA63-00926D	2	
7	GUARD-REF UPP R	DA63-00927D	DA63-00927D	DA63-00927D	DA63-00927D	2	
8	GUARD REF-MID R	DA63-00929C	DA63-00929C	DA63-00929C	DA63-00929C	1	
9	GUARD REF-LOW	DA63-00930D	DA63-00930D	DA63-00930D	DA63-00930D	1	

EXPLODED VIEW & PARTS LIST

5-6) Disassembly of Refrigerator Door (Basic)



EXPLODED VIEW & PARTS LIST

■ Disassembly of Refrigerator Door (Basic)

NO	PART NAME	RL62**		RL67**		QUAN TITY	RE MARK
		RL62VC	RL62ZB	RL67VC	RL67ZB		
1	ASSY DOOR-FOAM REF	DA91-02953C	DA91-02953C	DA91-02953C	DA91-02953C	1	
1	ASSY DOOR-FOAM REF	DA91-02953F	DA91-02953F	DA91-02953F	DA91-02953F	1	
1	ASSY DOOR-FOAM REF	DA91-02953G	DA91-02953G	DA91-02953G	DA91-02953G	1	
1	ASSY DOOR-FOAM REF	DA91-02953H	DA91-02953H	DA91-02953H	DA91-02953H	1	
1	ASSY DOOR-FOAM REF	DA91-02953J	DA91-02953J	DA91-02953J	DA91-02953J	1	
1-1	ASSY COVER CONTROL-FRONT	DA97-06661G	DA97-06661G	DA97-06661G	DA97-06661G	1	
1-1	ASSY COVER CONTROL-FRONT	DA97-06661J	DA97-06661J	DA97-06661J	DA97-06661J	1	
1-1	ASSY COVER CONTROL-FRONT	DA97-06661K	DA97-06661K	DA97-06661K	DA97-06661K	1	
1-1	ASSY COVER CONTROL-FRONT	DA97-06661L	DA97-06661L	DA97-06661L	DA97-06661L	1	
1-1	ASSY COVER CONTROL-FRONT	DA97-06661M	DA97-06661M	DA97-06661M	DA97-06661M	1	
1-1	ASSY COVER CONTROL-FRONT	DA97-06661N	DA97-06661N	DA97-06661N	DA97-06661N	1	
1-1	ASSY COVER CONTROL-FRONT	DA97-06661P	DA97-06661P	DA97-06661P	DA97-06661P	1	
2	ASSY-GASKET DOOR REF	DA97-06693A	DA97-06693A	DA97-06693A	DA97-06693A	1	
2	ASSY-GASKET DOOR REF	DA97-06693B	DA97-06693B	DA97-06693B	DA97-06693B	1	
3	GUARD-REF UPP L	DA63-00926D	DA63-00926D	DA63-00926D	DA63-00926D	2	
4	GUARD-REF UPP R	DA63-00927D	DA63-00927D	DA63-00927D	DA63-00927D	2	
5	GUARD-REF MID	DA63-01262B	DA63-01262B	DA63-01262B	DA63-01262B	1	
6	GUARD-REF LOW	DA63-01263C	DA63-01263C	DA63-01263C	DA63-01263C	1	