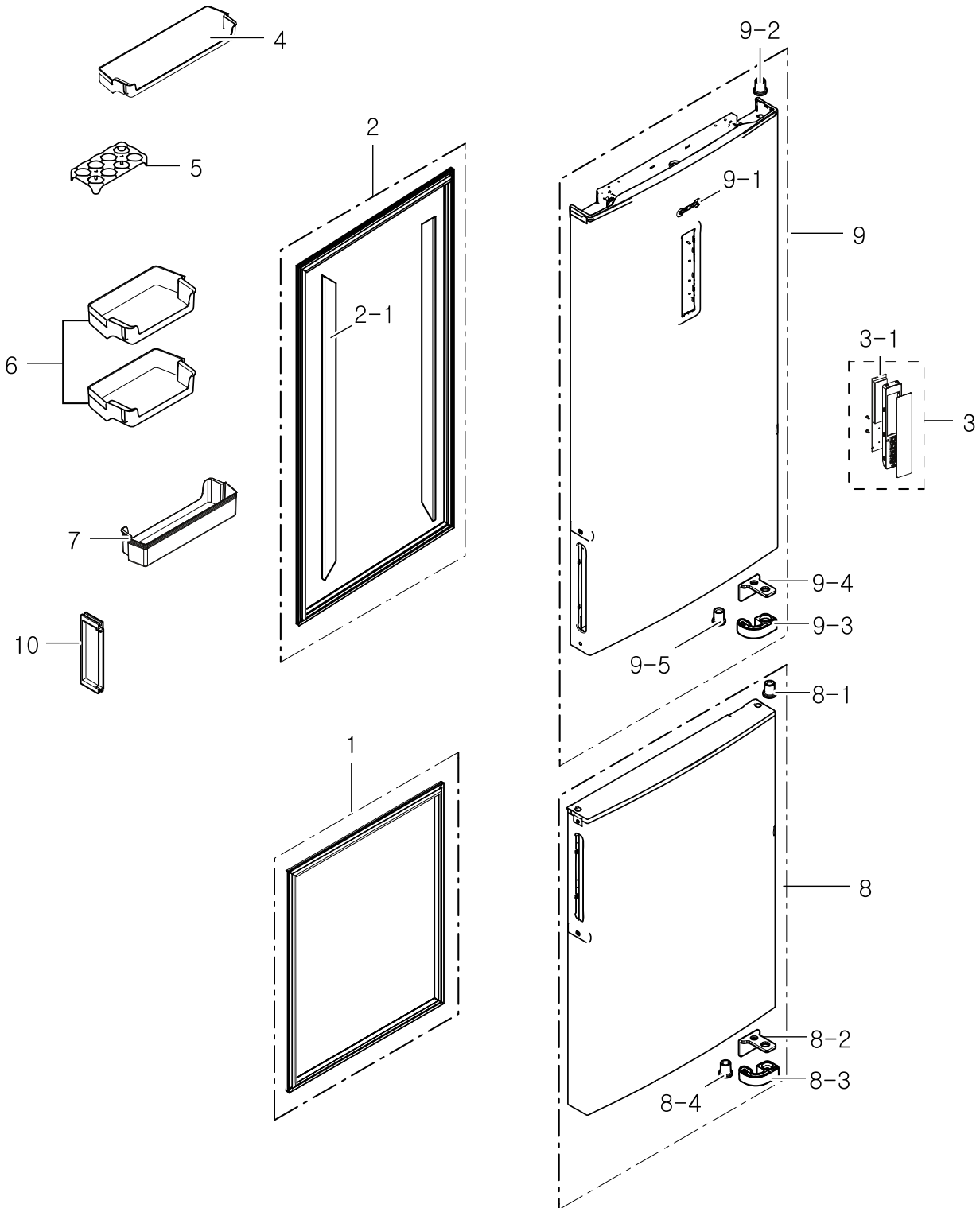


1. Door

Exploded View

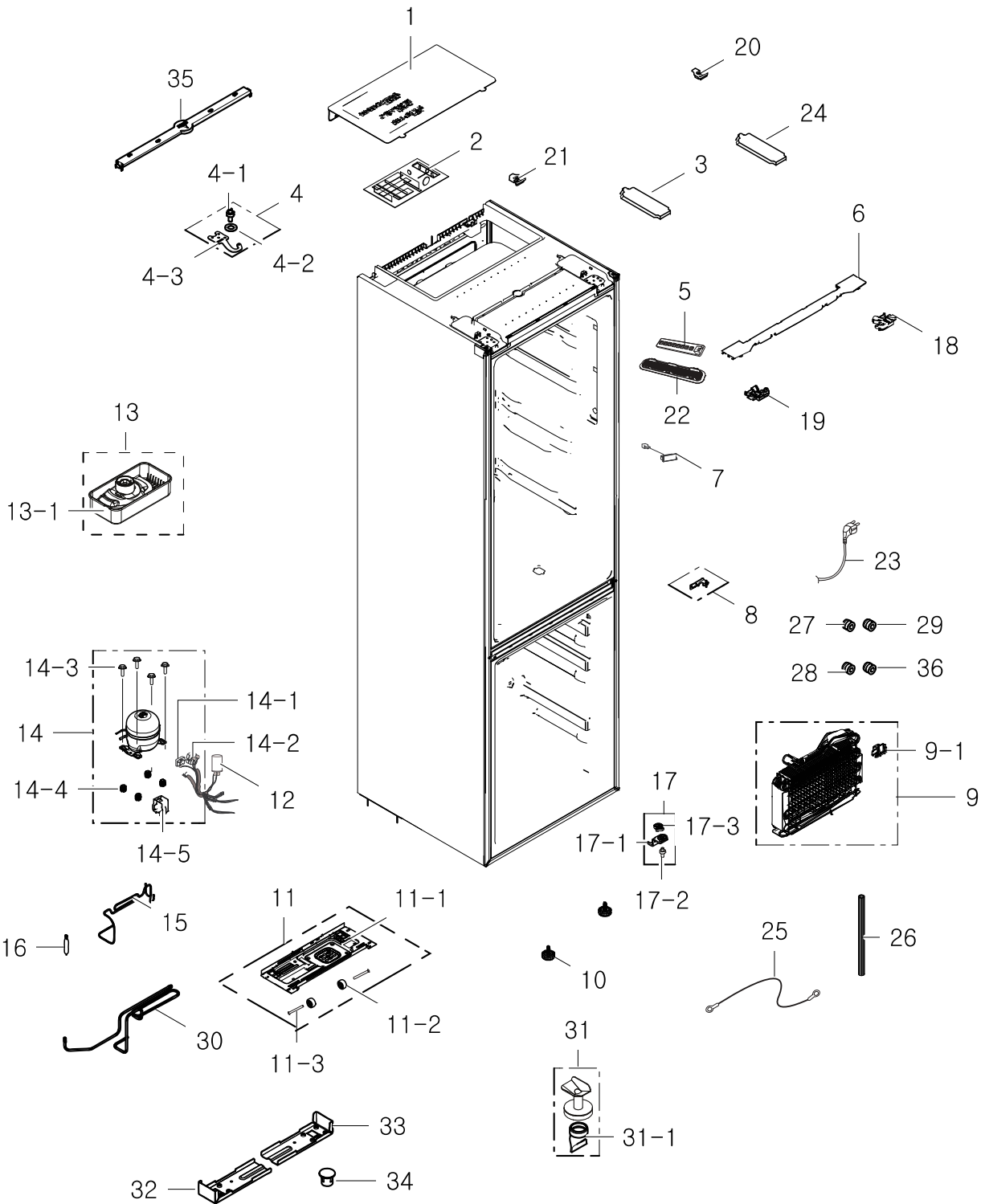


Parts List

No.	Lvl.	Loc.	Material Code	Description & Specification	SNA	Qty.
1	2		DA97-12383R	ASSY-GASKET DOOR; GRAND-CRU, FRE RL56,WHI	SA	1
2	2		DA97-12383Q	ASSY-GASKET DOOR; GRAND-CRU, REF RL56,WHI	SA	1
2-1	3		DA61-08060G	MAGNET-GASKET; GRANDCRU-PJT,FERRITE	SNA	2
3	2	G0082	DA97-11409C	ASSY COVER-CONTROL; GRAN CRU,ASS'Y,SNOW W	SA	1
3-1	3	G0069	DA92-00179A	ASSY PCB KIT LED; LED(Semi) DISPLAY,GRAN	SA	1
4	2	A0634	DA63-06305B	GUARD REF-UPP; GRAND-CRU,GPPS,TP BLUE,GAL	SA	1
5	2	A0656	DA63-06221A	TRAY EGG; GRAND-CRU,GPPS,TP BLUE,168N	SA	1
6	2	A0153	DA63-06307B	GUARD VARIETY; GRAND-CRU,GPPS,TP BLUE,GAL	SA	2
7	2	A0635	DA63-06306B	GUARD REF-LOW; GRAND-CRU,GPPS,TP BLUE,GAL	SA	1
8	2	A0051	DA91-03632Q	ASSY DOOR FOAM FRE; GRAND CRU	SA	1
8-1	5	A0552	DA63-05627A	GROMMET-HINGE; GROMET,PA66,NATURAL,GROMET	SA	1
8-2	5	A0551	DA61-06259B	BRACKET-STOPPER DOOR; Grand Cru/Sam-Pjt,G	SC	1
8-3	5	A0597	DA61-06228A	STOPPER-DOOR; Grand Cru/Sam Pjt,POM,NTR	SA	1
8-4	5	A0552	DA63-05627A	GROMMET-HINGE; GROMET,PA66,NATURAL,GROMET	SA	1
9	2	A0052	DA91-03631Y	ASSY DOOR FOAM REF; grand cru	SA	1
9-1	3	M0196	DA64-04020B	MASCOT; ALL,NI,T0.05,L80	SA	1
9-2	5	A0552	DA63-05627A	GROMMET-HINGE; GROMET,PA66,NATURAL,GROMET	SA	1
9-3	5	A0597	DA61-06228A	STOPPER-DOOR; Grand Cru/Sam Pjt,POM,NTR	SA	1
9-4	5	A0551	DA61-06259B	BRACKET-STOPPER DOOR; Grand Cru/Sam-Pjt,G	SC	1
9-5	5	A0552	DA63-05627A	GROMMET-HINGE; GROMET,PA66,NATURAL,GROMET	SA	1
10	2	G0220	DA67-03055F	CAP-SPACE DOOR; GRAND CRU,ABS,SNOW WHITE(SA	1

2. Over All

Exploded View



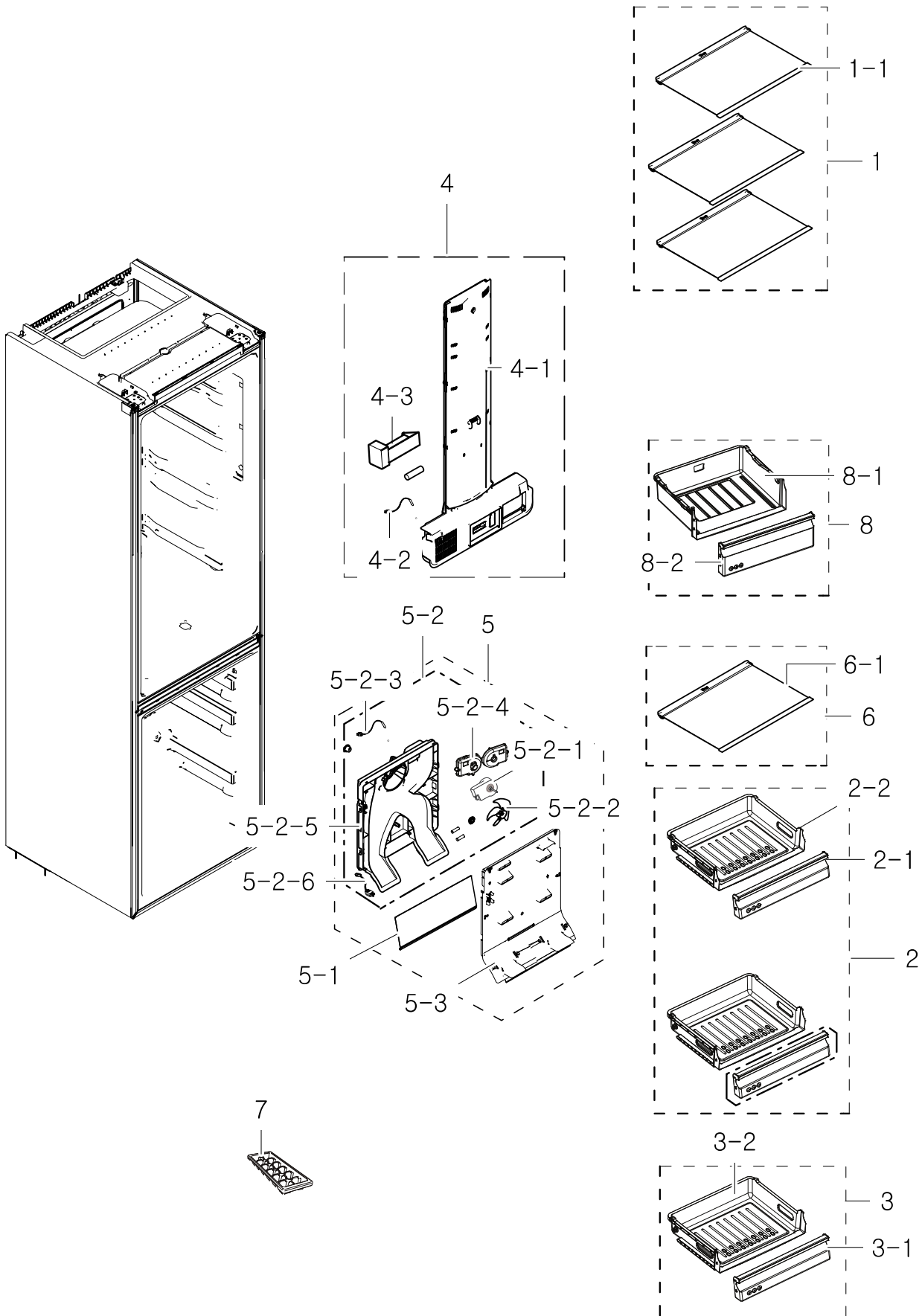
Parts List

No.	Lvl.	Loc.	Material Code	Description & Specification	SNA	Qty.
1	2	G0089	DA63-06361B	COVER PCB-PANEL; GRAND CRU,GI-SGCC,T0.3	SA	1
2	2	A0952	DA92-00177F	ASSY PCB MAIN; 8" TFT-LCD DISPLAY,Polaris	SA	1
3	2	G0217	DA63-06395B	COVER-HINGE A; GRAND CRU,HIPS,COOL WHITE	SA	1
4	2	M0346	DA97-11472A	ASSY HINGE-UPP; GRAND CRU,WHITE	SA	1
4-1	3	A0518	DA66-00385A	SHAFT-HINGE; CORE,SWCH10A,-,OD6,-,-,ZPC3(SA	1
4-2	3	A0509	DA66-00741A	SHAFT-WASHER; Grand Cru/Sam Pjt,HIPS,OD12	SA	1
4-3	3	G0259	DA97-11865A	ASSY HINGE UPP-SPRAY; GRAND CRU	SA	1
5	2	G0090	DA41-00519P	ASSY-ROOM LAMP LED; SSEDA,CEM-1,100*20*1	SA	1
6	2	G0215	DA63-06393N	COVER-WIRE DOOR; GRAND-CRU,HIPS,SNOW WHIT	SA	1
7	2	G0068	DA34-00043A	SWITCH REED-ASS'Y; 200VDC,1.5,-	SA	1
8	2	A0513	DA97-12375B	ASSY HINGE MID; GRAND CRU,Zn painting	SA	1
9	2	A0162	DA96-00827A	ASSY EVAP FRE; GRAND CRU,FRE,230V/50Hz,23	SA	1
9-1	3	G0205	DA61-04921B	FIXER-HEATER FRE; HERMES-PJT,PP,NATURAL,F	SA	2
10	2	G0201	DA61-07546A	LEG; GRAND CRU-PJT,PP,NTR,BOLT:M8,50.5mm	SA	2
11	2	A0738	DA97-11278A	ASSY CHASSIS-COMP; GRAND_CRU,SBHG1,T0.8,A	SA	1
11-1	3	G0258	DA97-11860A	ASSY CHASSIS-SUB COMP; GRAND CRU,ASSY	SA	1
11-2	3	A0527	DA61-06202A	CASTER-REAR; GRAND-CRU,PP,NATURAL	SA	2
11-3	3	G0445	DA66-00758B	SHAFT CASTER; SAM PJT,SCP1,OD6.0,BS1706-F	SA	2
12	2	M2000	DA27-00032A	COIL FILTER-EMI; 400L,8.0mH,60*82mm,BOX,S	SA	1
13	2	A0529	DA97-08845A	ASSY TRAY DRAIN WATER; T2.0,NTR,PP	SA	1
13-1	3	A0531	DA63-06226A	TRAY-DRAIN WATER; S_AM B/I,PP,T2.0,NTR	SA	1
14	2	G0410	MSE4A1QL1G/AK1	COMPRESSOR,RSCR,11.1CC,220-240V,STAITC; COMPRESSOR,RSCR,11.1CC,220-240V,STAITC		1
14-1	3	A0789	2301-001848	C-FILM,LEAD; 5uF,-25to+80,450V,+10~-5,37x	SA	1
14-2	3	A0668	DA35-00099A	RELAY PTC; 330MD2(J535Q35E330M3852),33Ω,3	SC	1
14-3	3	A0564	DA60-20008A	BOLT-HEX; SWCH45K,WHITE,ZPC	SA	4
14-4	3	Z1112	DA63-02017A	GROMMET COMP; QUEEN,EPDM,BLACK	SA	4
14-5	3	Z1032	DA63-04553A	COVER RELAY; N300X,T2.1,V-0,5VA,SSEC,BLAC	SNA	1
15	2	M0016	DA62-03095A	PIPE-CONNECT SUCTION; GRANDCRU,CU,NATURAL	SA	1

No.	Lvl.	Loc.	Material Code	Description & Specification	SNA	Qty.
16	2	G0071	DA62-02614P	DRYER-SINGLE; HAEMIL_10,C1220T,OD18.7,L11	SC	1
17	2	A0515	DA97-11482A	ASSY HINGE LOW; GRAND CRU	SA	1
17-1	3	A0247	DA61-07365A	HINGE-LOW; GRNAD CRU,SHP1,T4.0,ZPC3	SA	1
17-2	3	A0518	DA66-00385A	SHAFT-HINGE; CORE,SWCH10A,-,OD6,-,-,ZPC3(SA	1
17-3	3	A0516	DA61-07383A	GUIDE-AUTO CLOSE; GRAND CRU,PA-66,NTR	SA	1
18	2	G0213	DA63-06391A	COVER-WIRE HINGE R; GRAND CRU,PP,SNOW WHI	SA	1
19	2	G0214	DA63-06392A	COVER-WIRE HINGE L; GRAND CRU,PP,SNOW WHI	SA	1
20	2		DA67-03053A	CAP-HIGH SIDE R; GRAN CRU,ABS,T2.0,25.9,S	SNA	1
21	2		DA67-03054A	CAP-HIGH SIDE L; GRAN CRU,ABS,T2.0,25.9,S	SNA	1
22	2	A0490	DA63-05628B	COVER LAMP; GRAND-CRU,GPPS,HB,165N,TP BLU	SA	1
23	2	A0273	DA39-10115D	CBF-POWER CORD; UCP-2,250V,10/16A,L2100,-	SA	1
24	2	G0216	DA63-06394B	COVER-HINGE B; GRAND CRU,HIPS,COOL WHITE	SA	1
25	2	A0562	DA39-20389L	WIRE HARNESS-EARTH; 1,YELLOW/GREEN,ST 710	SA	1
26	2	M0203	DA62-02982C	PIPE-CONNECT DISC A; C1220T-1/2H,OD6.35,L	SA	1
27	2		DA60-00280A	FITTING-LOKRING 33; GRAND/SAM/HERMES,11SM	SA	1
28	2		DA60-00281A	FITTING-LOKRING 43; GRAND/SAM/HERMES,11SM	SA	1
29	2		DA60-00279A	FITTING-LOKRING 16; GRAND/SAM/HERMES,11SM	SA	1
30	2	G0267	DA62-03193D	PIPE-CONNECT IMMERSION; (GRAND CRU),SWST,	SA	1
31	3	G0285	DA62-00017A	TUBE-DRAIN FRE-ASSY; PP,-,-,-,SR-32,35,	SA	1
31-1	4	G0202	DA63-00246B	GROMMET-DRAIN HOSE; CORE-PJT,NBR,-,-,-,	SA	1
32	3	G0449	DA61-07340A	REINF-BOTT FRONT L; GRANDCRU,PO-SPHC,T1.5	SA	1
33	3	G0450	DA61-07341A	REINF-BOTT FRONT R; GRANDCRU,PO-SPHC,T1.5	SA	1
34	2	A0549	DA67-02655A	CAP-HINGE HOLE; GRAND CRU,ABS,HB,HG-0760G	SA	1
35	2	G0212	DA63-06384C	COVER-CABI HIGH; GRAND CRU,HIPS,T2.0,42,3	SA	1
36	2		DA60-00317A	FITTING-LOKRING 24; 11SMnPb30k,24	SA	1

3. Freezer_Fridge

Exploded View



Parts List

No.	Lvl.	Loc.	Material Code	Description & Specification	SNA	Qty.
1	2	A0185	DA97-13435B	ASSY SHELF REF; GRAND CRU	SA	3
1-1	3	A0214	DA67-03037C	SHELF REF; GRAND CRU,PP,COOL WHITE,BETTER	SA	3
2	2	G0268	DA97-11399B	ASSY TRAY-FRE MID; GRAN CRU,ASSY/NO TRIM	SA	2
2-1	3	G0080	DA63-06328A	COVER TRAY-FRE MIDDLE; GRAND-CRU,GPPS,HB,	SA	2
2-2	3	G0261	DA61-07305A	CASE TRAY-FRE MIDDLE; GRAND-CRU,PP,COOL W	SA	2
3	2	G0267	DA97-11398B	ASSY TRAY-FRE LOW; GRAND CRU,NO TRIM	SA	1
3-1	3	G0085	DA63-06334A	COVER TRAY-FRE LOW; GRAND-CRU,GPPS,HB,165	SA	1
3-2	3	G0260	DA61-07306A	CASE-TRAY FRE LOW; GRAND-CRU,PP,COOL WHIT	SA	1
4	2	G0239	DA97-11367A	ASSY COVER MULTI-REF; GRAND CRU,RL56,BASI	SA	1
4-1	3	A0689	DA63-06343A	COVER-MULTI REF; GRAND CRU(RL56),PP,COOL	SNA	1
4-2	3	A1018	DA32-00011W	SENSOR TEMP; PX-41C,MT-PJT,-40~1105V,	SA	1
4-3	3	G0242	DA31-00043F	MOTOR DC-DAMPER; -,CORE-PJT,Max 60mA,-,-,	SA	1
5	2	M0416	DA97-11339A	ASSY COVER-EVAP FRE; GRAND CRU	SA	1
5-1	3	G0233	DA61-07361A	PLATE-EVAP COVER REAR; GRAND CRU,GL-SAZCC	SA	1
5-2	3	G0074	DA97-11335A	ASSY COVER-EVAP REAR; GRAND CRU	SA	1
5-2-1	4	A0998	DA31-00146J	MOTOR BLDC; 1920,DC12V,230mA,2.8W	SA	1
5-2-2	4	A0769	DA31-00276A	FAN; GRAND CRU,ABS,GP-35/NTR	SA	1
5-2-3	4	A1018	DA32-00033E	SENSOR TEMP; 502AT,DKST1329GW,MAX4,-40~11	SA	1
5-2-4	4	M0449	DA63-06370A	COVER MOTOR-BLDC; GRAND CRU,PP,BLACK	SA	1
5-2-5	4	G0236	DA63-06371A	COVER EVAP-REAR; GRAND CRU,PP,T1.5,BLACK,	SA	1
5-2-6	4	G0088	DA96-00042E	ASSY W/HARNESS-MOTOR; E-PEL(BLDC),WIRE-HA	SA	1
5-3	4	A0665	DA63-06376B	COVER EVAP-FRONT; GRAND CRU,PP,HB,BJ750,N	SA	1
6	2	G0284	DA97-13467A	ASSY SHELF REF-LOW; GRAND CRU,GOOD	SA	1
6-1	3	G0268	DA67-03038A	SHELF-REF LOW; GRAND CRU,PP,COOL WHITE,BE	SC	1
7	2	A0582	DA67-40146B	TRAY-ICE; SR-1500,NTR,PE,-,-,-,-,-	SA	1
8	2	G0269	DA97-11358A	ASSY TRAY-FRESHROOM; GRAND CRU	SA	1

Exploded Views and Parts List

No.	Lvl.	Loc.	Material Code	Description & Specification	SNA	Qty.
8-1	3	G0266	DA61-07324A	CASE-FRESHROOM; GRAND CRU-PJT,PP,COOL WHI	SA	1
8-2	3	G0083	DA63-06341A	COVER-FRESHROOM FRONT; GRAND-CRU,GPPS,HB,	SA	1