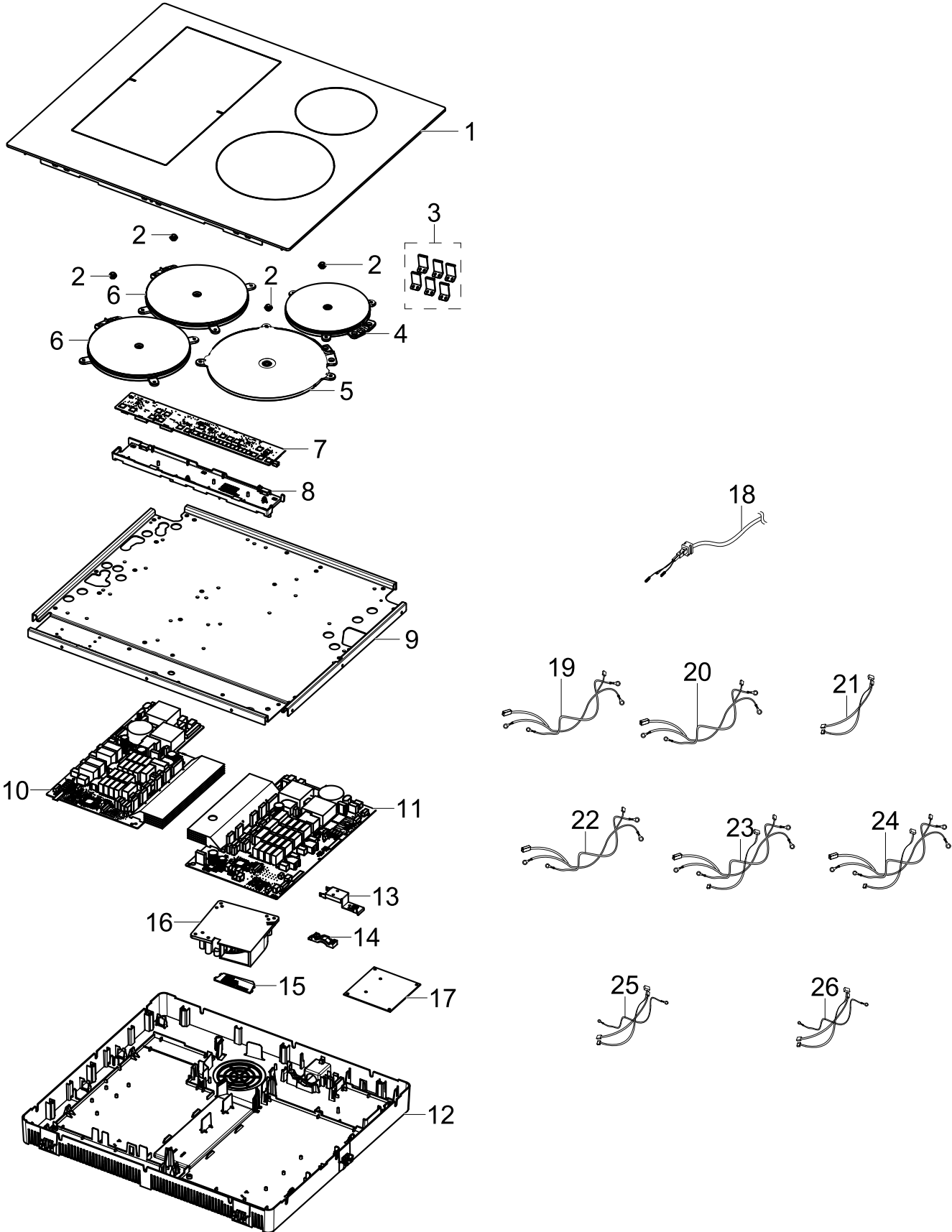


1. Main

Exploded View



Parts List

No.	Lvl.	Loc.	Material Code	Description & Specification	SNA	Qty.
1	2	H042	DG94-01352A	ASSY TOP PLATE; NZ64K5747BK,1 BEVELLED,BR	SA	1
2	2		DG32-00015A	SENSOR TEMP; PTM-312-S56,Ceramic Cap,170,	SA	4
3	2	M060	DG97-00010D	ASSY HARD WARE; NZ63K7777BK	SA	1
4	2		DG27-01018A	COIL WORKING; 50uH,145mm	SA	1
5	2		DG27-01017A	COIL WORKING; 57uH,210mm	SA	1
6	2		DG27-01019A	COIL WORKING; 53uH,180mm	SA	2
7	2		DE92-03986D	ASSY PCB DISPLAY; NZ6000K_CONTROL-03,NZ60	SA	1
8	2	C082	DG94-00974B	ASSY CONTROL; NZ63K7777BK,BLACK,PA66	SA	1
9	2	C238	DG94-01409B	ASSY BRACKET PANEL; NZ64K5747BK,AL5052,T1	SA	1
10	2		DG92-01026A	ASSY PCB INVERTER; Left,NZ6000K,328*194,N	SA	1
11	2		DG92-01023B	ASSY PCB INVERTER; Right_4B,NZ6000K,328*1	SA	1
12	2		DG61-01040A	CASE BURNER; PA66+GF15%,BLACK,V0,KN3321G1	SA	1
13	2		DG61-01041A	BRACKET EARTH; GI-SGCC,T0.8	SA	1
14	2		DG61-00729A	HOLDER-CABLE; NV6786BNESR,PA66,WHITE	SA	1
15	2		DG61-01039A	GUIDE AIR; PA66+GF15%,V0,KN3321G15V0BL,BL	SA	1
16	2		DG31-00011D	MOTOR BLDC FAN; 12032GA-12N,2650rpm,12V,0	SA	1
17	2		DA92-00530A	ASSY MODULE; STD #7 SMPS,FOOD SHOWCASE,32	SA	1
18	2	M015	DG96-00061H	CBF-POWER CORD; AT,EUROPE,Gray,1500,H05VV	SA	1
19	2		DG96-00457A	ASSY WIRE HARNESS-POWER; NZ6000K,12VDC,12	SA	1
20	2	W036	DG96-00458A	ASSY WIRE HARNESS-EARTH; NZ6000K,220VAC,2	SA	1
21	2		DG96-00462A	ASSY WIRE HARNESS-POWER; NZ6000K_RF,220VA	SA	1
22	2		DG96-00463A	ASSY WIRE HARNESS-POWER; NZ6000K_RR,220VA	SA	1
23	2		DG96-00464A	ASSY WIRE HARNESS-POWER; NZ64K5747BK_LF,2	SA	1
24	2		DG96-00465A	ASSY WIRE HARNESS-POWER; NZ64K5747BK_LR,2	SA	1

No.	Lvl.	Loc.	Material Code	Description & Specification	SNA	Qty.
25	2		DG96-00466A	ASSY WIRE HARNESS-DC SIGNAL; NZ6000K_Main	SA	1
26	2		DG96-00467A	ASSY WIRE HARNESS-DC SIGNAL; NZ6000K_Main	SA	1