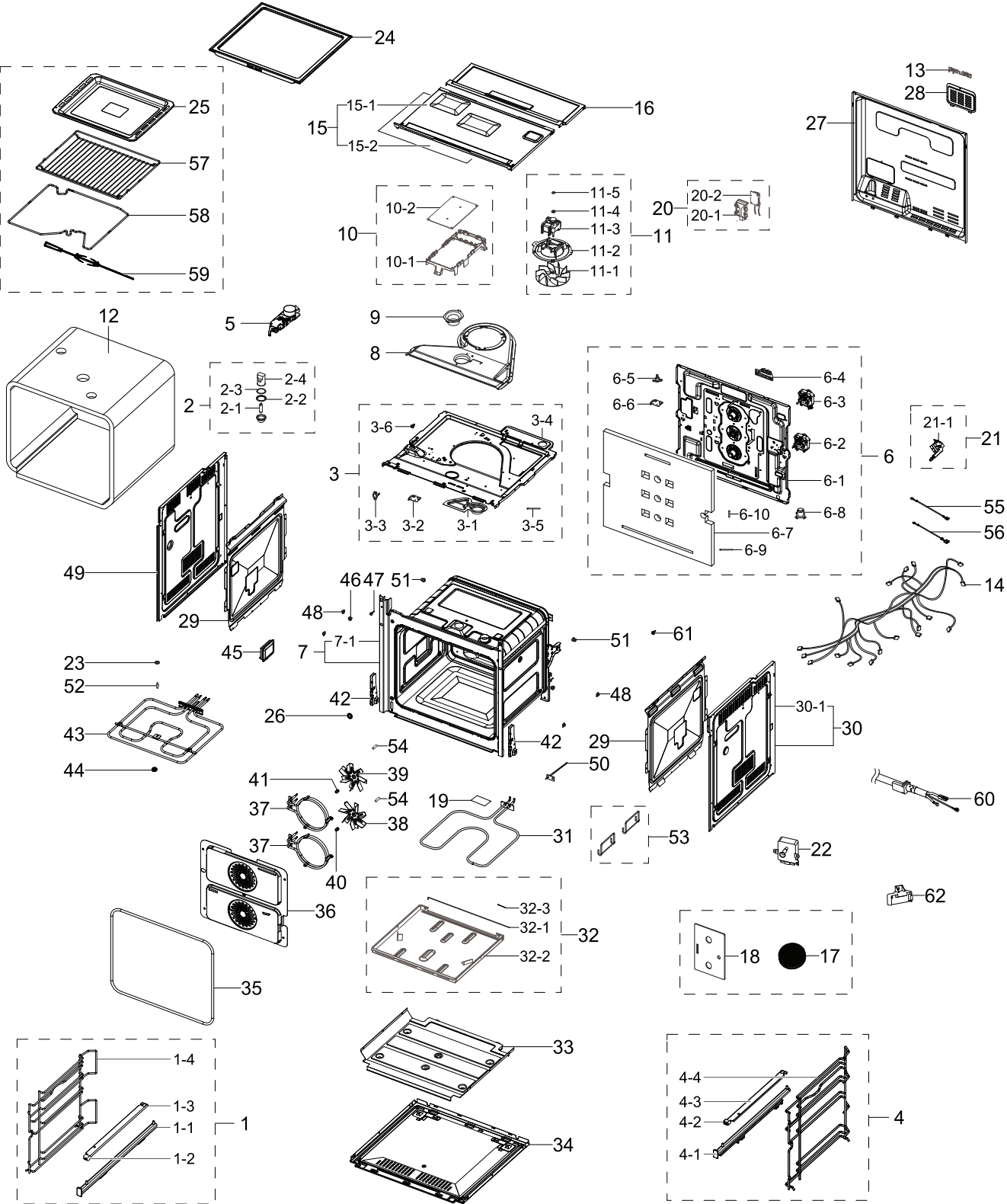


# 1. Main

## Exploded View



**Parts List**

No.	Lvl.	Loc.	Material Code	Description & Specification	SNA	Qty.
1	2		DG94-01076E	ASSY SUPPORTER RACK-LEFT; NV9900J,TWIN,RA	SA	1
1-1	3		DG61-00876C	GUIDE RAIL TELESCOPIC-LEFT; STS304,NV9900	SA	1
1-2	3		DG63-00146A	COVER-PARTITION RAIL-L; E-OVEN,TEFRON,BLK	SA	1
1-3	3		DG63-00392A	COVER PARTITION-LEFT; NV9900J,STS304,T0.5	SA	1
1-4	3		DG75-01065A	RACK WIRE SUPPORT-LEFT; TWIN,NV9900J,MSWR	SNA	1
2	2	M248	DG97-00011D	ASSY LAMP BULB; BQ2Q7G069,PYROLYTIC,Sunli	SA	1
2-1	3	U013	DE47-00040B	LAMP-HALOGEN; 230V,40W,320Lm,13x43,7.5mm,	SA	1
2-2	3	M265	DG63-00029A	COVER-RING BULB; BT63BSST,STAINLESS-STS30	SA	1
2-3	3	M250	DG63-00098A	SHEET-RING BULB; BT62FQBPST,STS304,T0.5,W	SA	1
2-4	3	M249	DG97-00012B	LAMP ETC; -, -, -, -, BK, -, -, 230, Halogen, B	SA	1
3	1	P214	DG94-01085H	ASSY BRACKET UPPER; NV75K5571RS,VE NV9900	SNA	1
3-1	2		DG61-00893A	BRACKET GUIDE; ALL,ALCOAT-SA1C,T0.5,-	SNA	1
3-2	2	H111	DE61-50490A	BRACKET-TCO; EGI-SECC,T0.6	SA	2
3-3	2	M464	DG47-00010A	THERMOSTAT; AC125/250V,15A,130,0,Rated Cu	SA	2
3-4	2	M003	DG61-00887A	BRACKET-UPPER; ALL,GI-SGCC,T0.6,-	SNA	1
3-5	2	M482	6502-001117	CABLE CLAMP; DALF-94-2,Si,150C TEMP	SNA	3
3-6	2	X009	DE60-10065A	SCREW-TAPPING; TH,+,NO,2S,M4,L6,NI PLT,SW	SNA	5
4	2		DG94-01076F	ASSY SUPPORTER RACK-RIGHT; NV9900J,TWIN,R	SA	1
4-1	3		DG61-00877C	GUIDE RAIL TELESCOPIC-RIGHT; STS304,NV990	SA	1
4-2	3		DG63-00147A	COVER-PARTITION RAIL-R; E-OVEN,TEFRON,BLK	SA	1
4-3	3		DG63-00391A	COVER PARTITION-RIGHT; NV9900J,STS304,T0.	SA	1
4-4	3		DG75-01065B	RACK WIRE SUPPORT-RIGHT; TWIN,NV9900J,MSW	SNA	1
5	2		DG94-01119A	ASSY DOOR LOCK; NV9900J,PYRO	SA	1
6	1		DG94-01075C	ASSY COVER ADIABATIC-REAR; NV9900J,Twin P	SNA	1
6-1	2		DG63-00389A	COVER ADIABATIC-REAR; NV9900J,GI-SGCC,T0.	SNA	1
6-2	2	H001	DG31-00019A	MOTOR AC CONVECTION; LOBSTAR,SMC-EBQV1B,2	SA	1

No.	Lvl.	Loc.	Material Code	Description & Specification	SNA	Qty.
6-3	2	H001	DG31-00018A	MOTOR AC CONVECTION; 24" OVEN,SMC-EBQV1A,	SA	1
6-4	2	G005	DG65-00002A	TERMINAL BLOCK; BT63BSST,PA66,6 sqmm,BROW	SA	1
6-5	2	M464	DG47-00010A	THERMOSTAT; AC125/250V,15A,130,0,Rated Cu	SA	2
6-6	2	H111	DE61-50490A	BRACKET-TCO; EGI-SECC,T0.6	SA	2
6-7	2	M215	DG62-00142B	ADIABATIC; CERAMIC WOOL,T25,W520,L480,96K	SNA	1
6-8	2		DG60-00018A	FLANGE COVER REAR; NEO lite,ALCOAT-SA1C,T	SNA	2
6-9	2	M482	6502-001117	CABLE CLAMP; DALF-94-2,Si,150C TEMP	SNA	3
6-10	2	M413	DG62-00021B	TUBE-GLASS; BQ3N3T,GLASS FIBER,4.1,40MM,3	SNA	1
7	1	Y103	DG94-01074B	ASSY CAVITY COATING; NV9900J,75L,ENAMEL,T	SNA	1
7-1	2		DG94-01073B	ASSY CAVITY WELDING; NV9900J,75L,TWIN,No	SNA	1
8	2		DG63-00376B	COVER AIR; GI-SGCC,T0.5,V0	SNA	1
9	2		DG61-00895A	BRACKET PIPE; ALL,GI-SGCC,T0.5,-	SNA	1
10	2	C164	DG94-01081C	ASSY HOLDER PCB; NV9900J,Twin Pyro	SNA	1
10-1	3		DG61-00909A	HOLDER PCB-MAIN; ALL,PA66,BLACK,V0,GF15%	SNA	1
10-2	3		DE94-03857A	ASSY PCB EEPROM; EEP_01,DE92-03749K,NV990	SA	1
11	1	M021	DG94-01410A	ASSY COVER MOTOR; NV75K5571RS,VE NV9900J,	SNA	1
11-1	2	M261	DG67-00017A	FAN-COOLING; BT62FQBPST,PA66,NYLON#66 GF1	SA	1
11-2	2	M260	DG61-00056A	SUPPORT-MOTOR COOLING; BT63BSST,PA66,BLK,	SA	1
11-3	2		DG31-00001F	MOTOR AC FAN; SMF-E610POL,2,230V,50Hz,35W	SNA	1
11-4	2	H024	DE60-30016A	NUT FLANGE; MSWR-SWRM,MSWR10	SA	7
11-5	2	H009	DE60-40026B	WASHER PLAIN; ZNC,OD12,T1.0,SBC1	SA	1
12	2	M215	DG62-00149A	ADIABATIC; MAIN, Non-Pyro,GLASS WOOL,T25,	SNA	1
13	2		DG61-00405A	HOLDER-CABLE; DX6292K,PA66,WHT	SA	1
14	2		DG96-00391A	ASSY WIRE HARNESS-MAIN; NV9900J,Twin Pyro	SA	1
15	1	H094	DG94-00361A	ASSY CASE-UPPER; BF641FST,GI,T0.5	SA	1
15-1	2	H051	DG61-00052A	CASE-UPPER A; BT63BSST,GI-SGCC,T0.5,W570.	SNA	1
15-2	2		DG63-00200A	CUSHION-CASE UPPER; BF641FST,CR FOAM,T1.5	SNA	1
16	2	H052	DG61-00053A	CASE-UPPER B; BT63BSST,GI-SGCC,T0.5,-,BI	SA	1

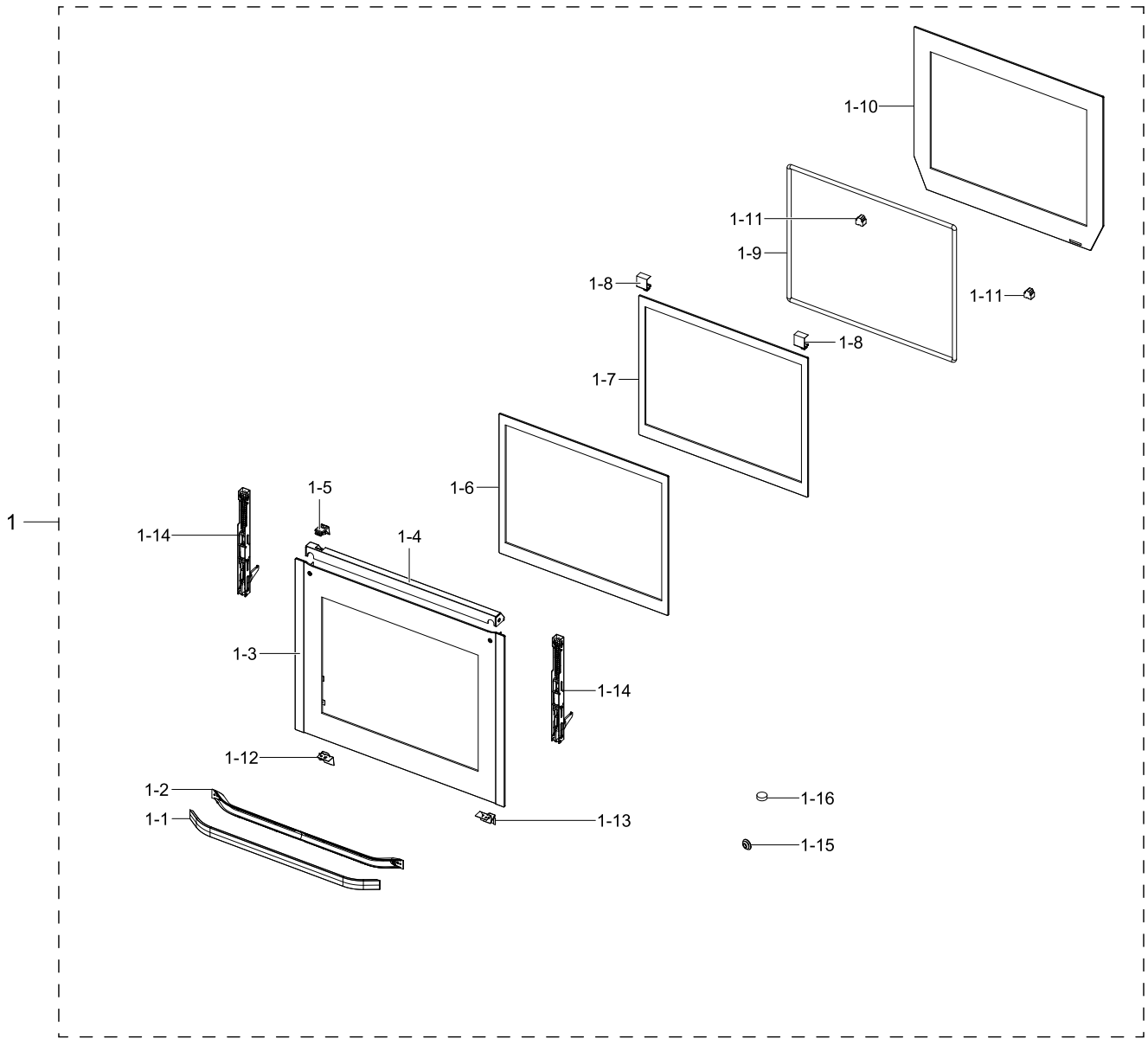
Exploded Views and Parts List

No.	Lvl.	Loc.	Material Code	Description & Specification	SNA	Qty.
17	2	P283	DG63-00096A	FILTER-CERAMIC; BT62FQBPST,CERAMIC	SNA	1
18	2	M388	DG62-00018A	ADIABATIC-SPIT MOTOR; BT62FQBPST,CERAMIC	SNA	1
19	2	M389	DG62-00017A	ADIABATIC HEATER; BT62FQBPST,CERAMIC WOOL	SNA	1
20	2		DG94-00385C	ASSY HOLDER NOISE FILTER; STEAM _ JUPITER	SA	1
20-1	3	M264	DG61-00444C	HOLDER NOISE FILTER; BI-SINGLE,PBT+GF,BLA	SA	1
20-2	3	M017	DG96-00021A	ASSY NOISE FILTER; SN-BF63,250V/18A,-,0.6	SA	1
21	2		DG97-00014G	ASSY-PARTITION SWITCH; BT62CDSTR-BASIC,ca	SA	1
21-1	3	B048	3405-001034	SWITCH-MICRO; 125/250VAC,16A,200gf,SPST-N	SA	1
22	2	M277	DG31-00003A	MOTOR AC DRIVE; 323,BT63BSST,8,230V,50/60	SA	1
23	2	H024	DE60-30016A	NUT FLANGE; MSWR-SWRM,MSWR10	SA	7
24	2	B034	DG94-00743A	ASSY-PARTITION; NV6786BNESR,NEO PJT	SA	1
25	2	T111	DG63-00011A	TRAY-BAKING B; CR-SPP,T0.6,ENAMEL COATING	SA	2
26	2	M262	6031-001545	WASHER-SPRING; STS430,ID5,OD11.8,T0.3,Dar	SNA	4
27	2	P186	DG63-00240A	COVER BACK; BQV1Q6T014,GI-SGCC,T0.5	SA	1
28	2	H050	DG61-00031A	BRACKET-AS COVER; BT63BSST,GI-SGCC,T0.5,W	SA	1
29	2		DG63-00390A	COVER ADIABATIC-SIDE; NV9900J,GI-SGCC,T0.	SA	2
30	2		DG94-00328C	ASSY CASE-R; GF94TRT001,COOKER,HANDLE HOL	SA	1
30-1	3	H053	DG61-00654B	CASE-RIGHT; NEO PJT,GI-SGCC,T0.5,W595,L10	SNA	1
31	2	M224	DG47-00007A	HEATER SHEATH-BOTTOM; AC230V,1100W,SUS309	SA	1
32	2	P229	DG97-00105B	ASSY COVER-BOTTOM HEATER; BT62FQBPST,-,-,	SNA	1
32-1	3	U029	DG66-00014A	WIRE-COVER BOTTOM HEATER; BT62FQBPST,STAI	SNA	1
32-2	3	M241	DG63-00007A	COVER-BOTTOM HEATER; BT63BSST,GI-SGCC,T0.	SNA	1
32-3	3	U028	DG47-00027A	HOLDER-R PIN; BT62FQBPST	SNA	1
33	2	P280	DG63-00083A	COVER-ADIABATIC LOWER; BT62FQBPST,GI-SGCC	SA	1
34	2		DG61-00881A	BASE BOTTOM; GI-SGCD,T0.6,555,610	SNA	1
35	2	M370	DG63-00095B	GASKET DOOR; NV9900J,GLASS FIBER,L1837.4,	SA	1
36	2		DG63-00387A	COVER CASING; NV9900J,CR-SPP,T0.6,-,TWIN,	SA	1

No.	Lvl.	Loc.	Material Code	Description & Specification	SNA	Qty.
37	2	H048	DG47-00009A	HEATER SHEATH-CONVECTION; AC230V,1200W,SU	SA	2
38	2		DG67-00011C	FAN CONVECTION; 24"OVEN,ALCOAT-SA1C,Pi 12	SA	1
39	2		DG67-00001C	FAN CONVECTION; 24"OVEN,ALCOAT-SA1C,Pi 12	SA	1
40	2	X107	6021-001208	NUT-HEXAGON CAP; M4,NI PLT,SWRCH10A	SA	1
41	2	X107	6021-001211	NUT-HEXAGON CAP; M4,NI PLT,SWRCH10A,LEFT	SA	1
42	2		DG61-00930A	SUPPORT HINGE; NV9900J,GI-SGCC,T1.6,-	SA	2
43	2	H071	DG47-00047C	HEATER SHEATH-GRILL; AC230V,2700W(1600+11	SA	1
44	2	Z779	6021-001207	NUT-CIRCULAR; M5,NI PLT,SWRCH10A,MESHING	SA	1
45	2	M036	DG96-00371A	LAMP ETC; BK,230,Halogen, NV9900J,G9	SA	1
46	2	M242	DG63-00119A	COVER SCREW; BT65FQBPST,ABS,PYROLYTIC,HG0	SA	2
47	2	M268	DG73-00002A	RUBBER-CUSHION; BT63BSST,SI RUBBER,BI,DAR	SA	2
48	2	M188	DG61-00341A	BRACKET-HOLDER RACK; FLAT ALL MODEL,STAIN	SA	4
49	2		DG94-00329C	ASSY CASE-L; GF94TRT001,COOKER,HANDLE HOL	SA	1
50	2	M300	DG32-00004B	SENSOR TEMP; 1Kohm	SA	2
51	2	H130	DG94-00332A	HOLDER RACK; STAINLESS-ST304	SA	2
52	2		DG61-00988A	STUD GRILL; STS304,NV9900J	SA	1
53	2		DG64-00470A	HANDLE GRIP; BT62FQBPST,MSWR,Ni-Cr Platin	SA	2
54	2	H049	DG60-00001A	SPACER-FAN CONVECTION; BT63BSST,STKM11A,L	SA	2
55	2	W006	DG96-00044B	ASSY WIRE HARNESS-E; DX6211KUU,230V/50Hz,	SA	1
56	2	W036	DG96-00390A	ASSY WIRE HARNESS-EARTH; NV9900J,Halogen	SA	1
57	2		DG75-01061A	RACK WIRE; ALL model,NV9900J,MSWR-SWRM,-,	SA	1
58	2		DG75-01063A	RACK WIRE BARBECUE; NV9900J,MSWR-SWRM,-,6	SA	1
59	2	Z031	DG90-00006A	ASSY PACKING-JACK SPIT; BT63TDFST/XEH,Jac	SA	1
60	2	M015	DG96-00084A	CBF-POWER CORD; AT,EUROPE/KOREA,,,,,Black	SA	1
61	2	X009	DE60-10065A	SCREW-TAPPING; TH,+,NO,2S,M4,L6,NI PLT,SW	SNA	5
62	2		DG61-01057A	HOLDER LOCK; PA66,BLACK,16's VE NV9900J	SNA	1

# 1.1. Assy Door

## Exploded View



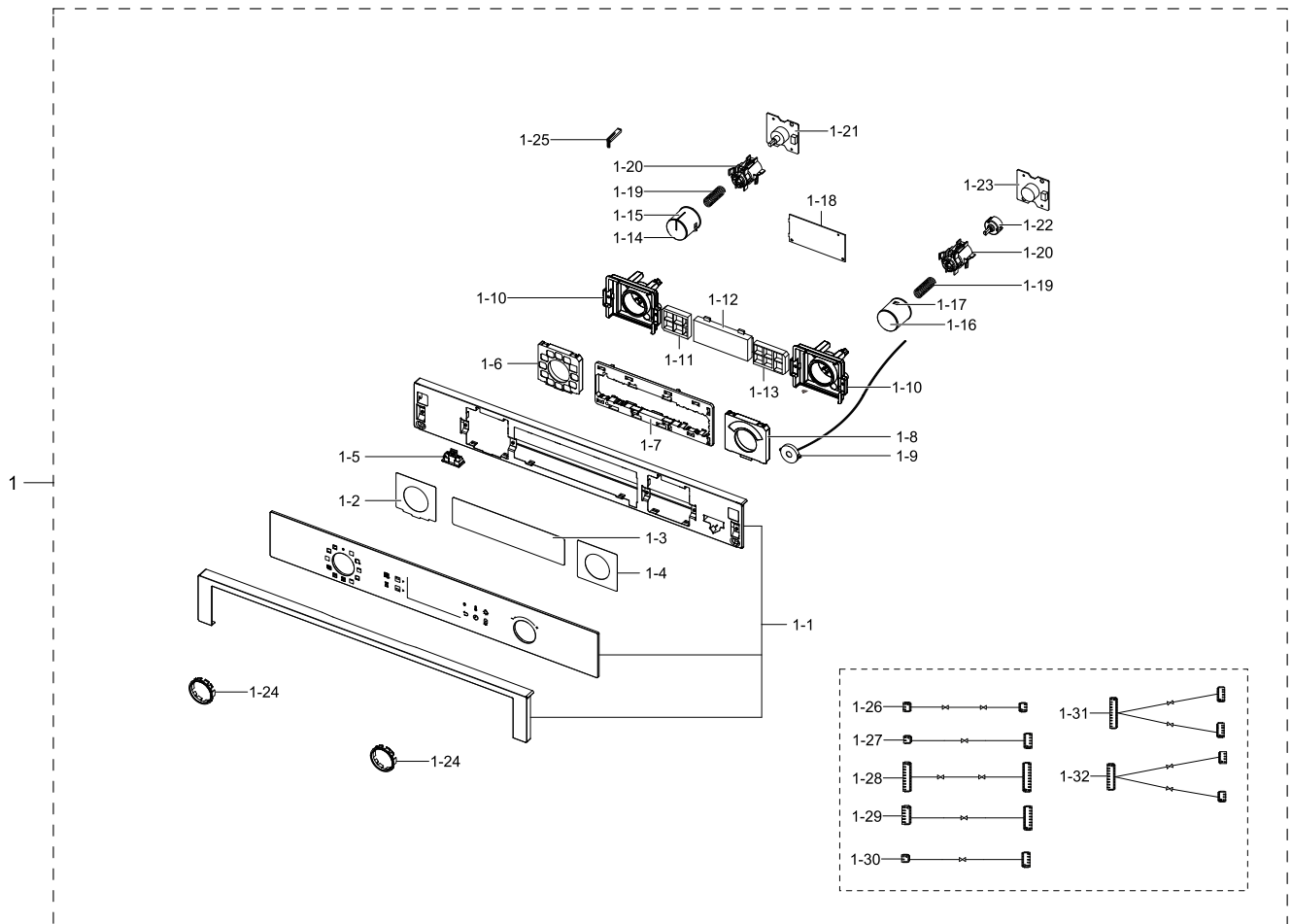
## Parts List

No.	Lvl.	Loc.	Material Code	Description & Specification	SNA	Qty.
1	1	D049	DG94-01090A	ASSY DOOR; NV9900J,4GLASS, SOFT CLOSING,	SA	1
1-1	2	D019	DG64-00508A	HANDLE DOOR; NV9900J,AI,REAL STS430	SNA	1
1-2	2		DG61-00913A	SUPPORT HANDLE; ALL,PC,-,V0,141R	SNA	1
1-3	2	D015	DG94-01083A	ASSY DOOR SUB; NV9900J,Chef Collection	SA	1
1-4	2		DG67-00091A	DUCT DOOR; PYRO ALL,GA-SGCD,T0.8	SNA	1
1-5	2		DG61-00908A	HOLDER DOOR LOCK; PYRO,PA66,BLACK,V0,G.F1	SNA	1

No.	Lvl.	Loc.	Material Code	Description & Specification	SNA	Qty.
1-6	2		DG64-00513B	GLASS DOOR-MIDDLE; NV9900J,GLASS,T4.0,-,H	SNA	1
1-7	2		DG64-00513A	GLASS DOOR-MIDDLE; NV9900J,GLASS,T4.0,-,H	SNA	1
1-8	2		DG61-00916A	HOLDER GLASS; NV9900J,STS301,T0.5,-	SA	2
1-9	2	S122	DG63-00380A	GASKET; NV9900J,GLASS FIBER,W390,L470,DAR	SA	1
1-10	2		DG64-00514A	GLASS DOOR-IN; NV9900J,GLASS,T4.0,-,Heat	SNA	1
1-11	2		DG61-00987A	HOLDER GLASS RUBBER; SI,SILICONE BLACK, H	SA	2
1-12	2		DG63-00374A	COVER HINGE-LEFT; GA-SGCD,T0.8	SNA	1
1-13	2		DG63-00375A	COVER HINGE-RIGHT; GA-SGCD,T0.8	SNA	1
1-14	2	V002	DG94-01080B	ASSY HINGE; NV9900J,4Glass, Soft Close	SA	2
1-15	2	D147	DG73-00001A	RUBBER GLASS; BT63BSST,SILICON RUBBER,BLA	SNA	4
1-16	2	Z097	DG61-00986A	MAGNET; Nd,T2,D6,Holder door lock	SNA	1

## 1.2. Assy Control

### Exploded View



### Parts List

No.	Lvl.	Loc.	Material Code	Description & Specification	SNA	Qty.
1	1	C082	DG94-01097A	ASSY CONTROL BOX; NV9900J,Better, DualCoo	SA	1
1-1	2	C001	DG94-01093A	ASSY CONTROL PANEL; NV9900J,Dual Cook, Py	SA	1
1-2	2	C009	DG64-00518G	WINDOW DISPLAY; NV75J7570RS,ACRYL,T0.5,-,	SNA	1
1-3	2	C009	DG64-00518C	WINDOW DISPLAY; NV75J7570RS,ACRYL,T0.5,-,	SNA	1
1-4	2	C009	DG64-00518D	WINDOW DISPLAY; NV75J7570RS,ACRYL,T0.5,TW	SNA	1
1-5	2		DG32-00014A	SENSOR MAG; MS-407-SS-OV,-20 ~ 1055V,	SA	1
1-6	2	Y040	DE07-00124A	LED DISPLAY; HL-LED1201SB-C101,Guidelight	SNA	1
1-7	2	C226	DG61-00905A	HOLDER DISPLAY; TWIN,PC,BLACK,V2,LARGE DU	SA	1
1-8	2	Y040	DE07-00123A	LED DISPLAY; HL-LED1216SB-A101,Guidelight	SNA	1



No.	Lvl.	Loc.	Material Code	Description & Specification	SNA	Qty.
1-9	2	C197	DE96-00686B	ASSY BUZZER; E-OVEN,KPR-G3020-450,450mm,2	SA	1
1-10	2		DG61-00901A	HOLDER KNOB; TWIN,PC,T1.5,BLACK,HB	SA	2
1-11	2	Y040	DE07-00119A	LED DISPLAY; HL-LED1204SB-C201,BACKLIGHT-	SNA	1
1-12	2	Y040	DE07-00122A	LED DISPLAY; HL-LED1214SB-C101,TWIN LED (	SNA	1
1-13	2	Y040	DE07-00121A	LED DISPLAY; HL-LED1200SB-C101,BACKLIGHT-	SNA	1
1-14	2		DG67-00065B	CAP KNOB; ABS+PC,HB,WP-1041,NATURAL,SELEC	SNA	1
1-15	2	C025	DG64-00394D	KNOB; TWIN,PC,HB,BLACK,BLACK SRPAY,SELECT	SNA	1
1-16	2		DG67-00066B	CAP KNOB; ABS+PC,HB,WP-1041,NATURAL,ENCOD	SNA	1
1-17	2	C025	DG64-00396B	KNOB; TWIN,PC,HB,BLACK,BLACK COATING,ENCO	SNA	1
1-18	2	C179	DE92-03751C	ASSY PCB SUB; NV9900J_SUB,NV9900J,120.5X5	SA	1
1-19	2	C188	DG61-00069A	SPRING ETC-POP UP; BT63BSST / BWT,STAINLE	SNA	2
1-20	2		DG94-01293A	ASSY POP UP; KNOB POP IN/OUT	SA	2
1-21	2	C319	DE96-00994A	ASSY-MODE; NV6786BNESR/WT,DAM-NEO MODE-00	SA	1
1-22	2	C352	DG61-00250A	HOLDER-ENCODER SWITCH; JM PYROLYTIC,PA66,	SA	1
1-23	2	C317	DE96-00995A	ASSY-DIAL; NV6786BNESR/WT,DAM-NEO DIAL-00	SA	1
1-24	2		DG61-00925A	HOLDER DIAL RING; Twin,PC,BLACK,HB	SNA	2
1-25	2		DG64-00395A	BUTTON-INDICATOR; NEO PJT,PC,GE BLACK	SNA	1
1-26	2		DG96-00385A	ASSY WIRE HARNESS-SENSOR; NV9900J,12VDC	SA	1
1-27	2		DG96-00401A	ASSY WIRE HARNESS-PBA; NV9900J,Dial LED L	SA	1
1-28	2		DG96-00398A	ASSY WIRE HARNESS-PBA; NV9900J,Main,Sub P	SA	1
1-29	2		DG96-00402A	ASSY WIRE HARNESS-PBA; NV9900J,Mode LED L	SA	1
1-30	2		DG96-00386A	ASSY WIRE HARNESS-DISPLAY; NV9900J,12VDC	SA	1
1-31	2		DG96-00399A	ASSY WIRE HARNESS-PBA; NV9900J,Side LED L	SA	1
1-32	2		DG96-00400A	ASSY WIRE HARNESS-PBA; NV9900J,Mode, Dial	SA	1