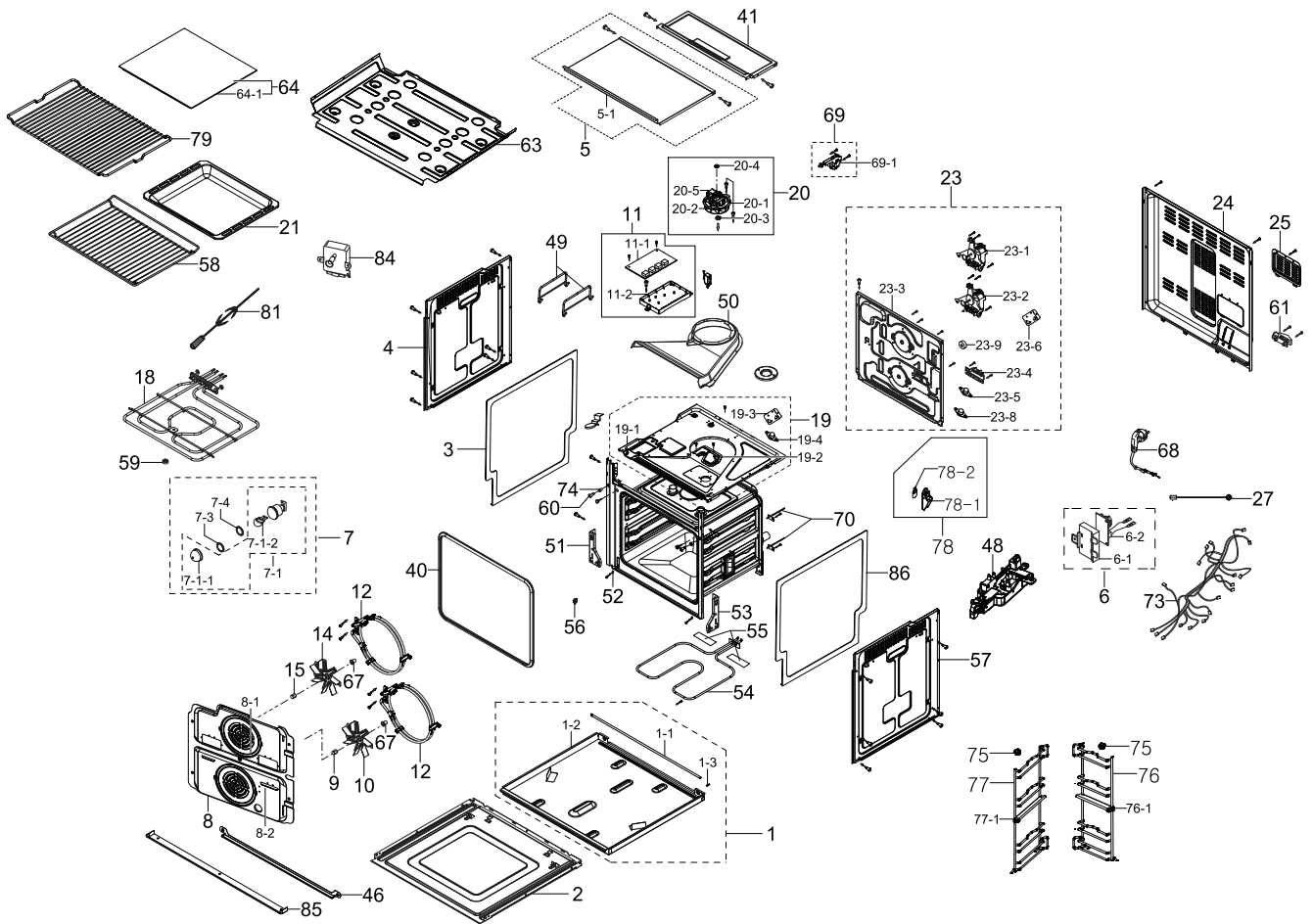


# 1. MAIN

## Exploded View



## Parts List

No.	Lvl.	Loc.	Material Code	Description & Specification	SNA	Qty.
1	1	P229	DG97-00105B	ASSY COVER-BOTTOM HEATER; BT62FQBpst,-,-,	SA	1
1-1	2	U029	DG66-00014A	WIRE-COVER BOTTOM HEATER; BT62FQBpst,STAI	SA	1
1-2	2	M241	DG63-00007A	COVER-BOTTOM HEATER; BT63BSST,GI-SGCC,T0.	SA	1
1-3	2	U028	DG47-00027A	HOLDER-R PIN; BT62FQBpst	SA	1
2	1	U075	DG61-00051A	BASE-BOTTOM; BT63BSST,GI-SGCD,T0.5,W555,L	SA	1
3	1	P282	DG63-00085A	COVER-ADIABATIC-L/R; BT62FQBpst,GI-SGCC,T	SA	1
4	1		DG94-00329C	ASSY CASE-L; GF94TRT001,COOKER,HANDLE HOL	SNA	1
5	1	H094	DG94-00361C	ASSY CASE-UPPER; BF641FST,GI,T0.5,IN-HOUS	SA	1

## Exploded Views and Parts List

No.	Lvl.	Loc.	Material Code	Description & Specification	SNA	Qty.
5-1	2	H051	DG61-00052D	CASE-UPPER A; BT63BSST,GI-SGCC,T0.5,W570.	SNA	1
6	1		DG96-00018A	ASSY HOLDER NOISE FILTER; BT63BSST,-	SA	1
6-1	2	M264	DG61-00090B	HOLDER-NOISE FILTER; 24" all model,PA66,	SA	1
6-2	2	M017	DG96-00021A	ASSY NOISE FILTER; -,SN-BF63,250V15A,E-OV	SA	1
7	1	M248	DG97-00011D	ASSY LAMP BULB; BQ2Q7G069,PYROLYTIC,Sunli	SA	1
7-1	2	M249	DG97-00012B	ASSY LAMP BULB-SUB; BT62FQBPST,-,-,-,PYRO	SA	1
7-1-1	3	M279	DG63-00026A	COVER-LAMP BULB; BT63BSST / BWT,GLASS,-,T	SNA	1
7-1-2	2	U013	DE47-00040B	LAMP-HALOGEN; 230V40W,G9,FROST BULB	SA	1
7-3	2	M265	DG63-00029A	COVER-RING BULB; BT63BSST,STAINLESS-ST530	SA	1
7-4	2	M250	DG63-00098A	SHEET-RING BULB; BT62FQBPST,STS304,T0.5,W	SA	1
8	1	H005	DG94-00260D	ASSY COVER CASING; BTS14D4T,SPP,T0.8,Enam	SA	1
8-1	2		DG61-00371A	BRACKET-CASING GUIDE; BF691CST,SPP,T0.8,-	SA	1
8-2	2		DG61-00372A	BRACKET-CASING LOWER; BT691CSST,SPP,T0.6,	SA	1
9	1	X107	6021-001208	NUT-HEXAGON CAP; M4,NI PLT,SWRCH10A	SA	1
10	1	H058	DG67-00011B	FAN-CONVECTION LOWER; BT62FQBPST,ALCOT,Pi	SA	1
11	1		DG94-00386W	ASSY HOLDER PCB-MAIN; BT62TQBPST/XEE,GVE/	SA	1
11-1	2	F316	DE92-02369C	ASSY PCB MAIN; LED,24MD-MAIN,Y,230V 50HZ,	SA	1
11-2	2	C195	DG61-00450A	HOLDER-PCB MAIN; GVE MODEL,PP,NTR,FH44N	SA	1
12	1	H048	DG47-00009A	HEATER-CONVECTION TWIN; SHC-BT63E,BT63BSS	SA	2
14	1	H057	DG67-00001B	FAN-CONVECTION UPPER; BT62FQBPST,ALCOT,Pi	SA	1
15	1	X107	6021-001211	NUT-HEXAGON CAP; M4,NI PLT,SWRCH10A,LEFT	SA	1
18	1	M007	DG47-00025A	HEATER-GRILL; BT62FQBPST,2700W,230V	SA	1
19	1	P214	DG96-00037F	ASSY BRACKET UPPER; BT620FQBPST,-,-,NO PIP	SA	1
19-1	2	M003	DG61-00191B	BRACKET-UPPER; BF62CBST(SINGLE),GI-SGCD,T	SNA	1
19-2	2	M013	DG61-00192A	BRACKET-AIR-GUIDE; BT62FQBPST,ALCOT,T0.6,	SA	1
19-3	2	H111	DE61-50490A	BRACKET-TCO; EGI-SECC,T0.5,34,47	SA	2

No.	Lvl.	Loc.	Material Code	Description & Specification	SNA	Qty.
19-4	2	M032	DG47-00010B	THERMOSTAT; NT-103NC,250V,15A,1205,0,25	SA	2
20	1	M258	DG96-00005C	ASSY MOTOR-COOLING; BT62FQBPST,-,-,PYRO	SA	1
20-1	2	M260	DG61-00056A	SUPPORT-MOTOR COOLING; BT63BSST,PA66,BLK,	SA	1
20-2	2	M261	DG67-00017A	FAN-COOLING; BT62FQBPST,PA66,NYLON#66 GF1	SA	1
20-3	2	H009	DE60-40026B	WASHER-PLAIN; ZNC,OD12,T1.0,SBC1	SA	1
20-4	2	H024	DE60-30016A	NUT-FLANGE; MSWR-SWRM,MSWR10	SA	3
20-5	2	M302	DG31-00001C	MOTOR BLOWER; SMV-610PEA,BT65FQPST,50Hz,2	SA	1
21	2	T111	DG63-00011A	TRAY-BAKING B; BT63BSST,SPP,T0.6,W660,L47	SA	1
23	1		DG97-00018L	ASSY COVER ADIABATIC-REAR; BT62FQBPST,-,-	SNA	1
23-1	2	H106	DG31-00002A	MOTOR CONVECTION; SMC-620EA,OVEN,50Hz,230	SA	1
23-2	2	H107	DG31-00002B	MOTOR CONVECTION; SMC-620EA-1,OVEN,50Hz,2	SA	1
23-3	2	M253	DG96-00015A	ASSY COVER ADIABATIC-REAR SUB; BT63BSST,-	SA	1
23-4	2	G005	DG65-00002A	TERMINAL BLOCK; BT63BSST,PA66,6 sqmm,BROW	SA	1
23-5	2	M451	DE47-20032B	THERMOSTAT; NT-101,125/250V,855,755,1	SA	1
23-6	2	H111	DE61-50490A	BRACKET-TCO; EGI-SECC,T0.5,34,47	SA	2
23-8	2	M032	DG47-00010B	THERMOSTAT; NT-103NC,250V,15A,1205,0,25	SA	2
23-9	2	H068	DG67-00028A	CAP-MOTOR CONVECTION; BT62FQBPST,EGI-SECC	SA	2
24	1	P186	DG63-00009B	COVER-BACK; BT62FQBPST,GI-SGCC,T0.5,W630,	SA	1
25	1	H050	DG61-00031A	BRACKET-AS COVER; BT63BSST,GI-SGCC,T0.6,W	SA	1
27	1	W006	DG96-00044B	ASSY WIRE HARNESS-E; DX6211KUU,230V/50Hz,	SA	1
40	1	M370	DG63-00095A	GASKET-DOOR; BT62FQBPST,FIBER GLASS,FIBER	SA	1
41	1	H052	DG61-00053B	CASE-UPPER B; BT63BSST,GI-SGCC,T0.5,W567.	SA	1
46	1		DG64-00413A	DOOR-GUTTER; NEO PJT,GA,T0.5,BLACK-COATIN	SA	1
48	1	D120	DG97-00100A	ASSY-DOOR LOCK; -,BT62FQBPST,-	SA	1
49	1	P284	DG66-00012A	WIRE-HANDLE; BT62FQBPST,MSWR-SWRM,5	SA	2
50	1	M392	DG63-00086B	COVER-FAN-COOLING; BT62FQBPST,ALCOT,T0.6,	SA	1
51	1	M294	DG61-00255A	SUPPORT-HINGE LEFT; JM PYROLYTIC,GI-SGCC,	SA	1

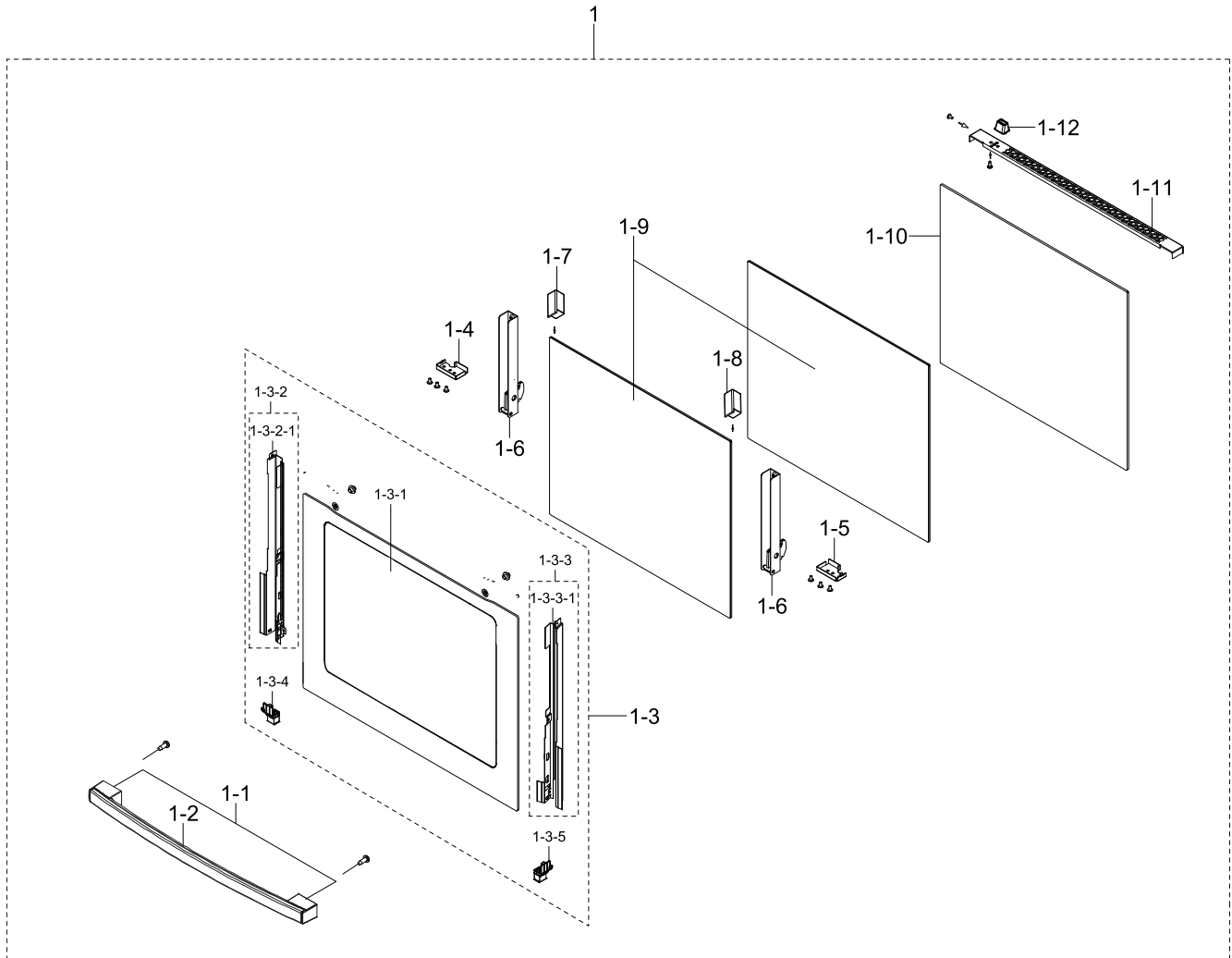
## Exploded Views and Parts List

No.	Lvl.	Loc.	Material Code	Description & Specification	SNA	Qty.
52	1	M262	6031-001545	WASHER-SPRING; STS430,ID5,OD11.8,T0.3,Dar	SA	4
53	1	M293	DG61-00256A	SUPPORT-HINGE RIGHT; JM PYROLYTIC,GI-SGCC	SA	1
54	1	M224	DG47-00007A	HEATER-BOTTOM; SHB-BT63E,E-OVEN,SUS309,11	SA	1
55	1	M389	DG62-00026A	ADIABATIC-HEATER; BT65FQBPST,CERAMIC WOOL	SNA	2
56	1	M188	DG61-00341A	BRACKET-HOLDER RACK; FLAT ALL MODEL,STAIN	SA	4
57	1		DG94-00328C	ASSY CASE-R; GF94TRT001,COOKER,HANDLE HOL	SNA	1
58	2	T030	DG75-01026A	RACK-WIRE; BQ3N3T020,MSWR-SWRM,W461,L352.	SA	1
59	1	H024	DE60-30016A	NUT-FLANGE; MSWR-SWRM,MSWR10	SA	2
60	1	M268	DG73-00002A	RUBBER-CUSHION; BT63BSST,SILICONE RUBBER,	SA	2
61	1		DG61-00405A	HOLDER-CABLE; DX6292K,PA66,WHT	SA	1
63	1	P280	DG63-00083A	COVER-ADIABATIC LOWER; BT62FQBPST,GI-SGCC	SA	1
64	1	B034	DG97-00015F	ASSY-PARTITION; DX6211B,ATAG, TWIN, RUBBE	SA	1
64-1	2	M522	DG94-00320A	ASSY COVER-PARTITION SIDE; DX6211KUU/A01,	SA	1
67	1	H049	DG60-00001A	SPACER-FAN CONVECTION; BT63BSST,STKM11A,L	SA	2
68	1	M015	DG96-00084A	ASSY POWER CORD; CEE/KC,Straight,250V/16A	SA	1
69	1		DG97-00014F	ASSY-PARTITION SWITCH; PYRO-MODEL,cap-sha	SA	1
69-1	2	B048	3405-001034	SWITCH-MICRO; 125/250VAC,16A,200gf,SPST-N	SA	1
70	1	M300	DG32-00004A	THERMISTOR-SENSOR; PT-SENSOR	SA	2
73	1	W002	DG96-00208D	ASSY WIRE HARNESS-A; BQ3Q3T,230/240V; 339	SA	1
74	1	M242	DG63-00119A	COVER-SCREW; BT65FQBPST,ABS,PYROLYTIC,HG0	SA	2
75	1	H130	DG94-00332A	ASSY HOLDER-WIRE RACK; GF94TRT001,COOKER	SA	2
76	1		DG94-00826A	ASSY WIRE RACK-RIGHT; NV70F7796MS/EF,TELE	SNA	1
76-1	2	P445	DG61-00469A	RAIL-TELESCOPIC R; TELESCOPIC MODEL,STS44	SA	1
77	1		DG94-00827A	ASSY WIRE RACK-LEFT; NV70F7796MS/EF,TELES	SNA	1
77-1	2	P444	DG61-00468A	RAIL-TELESCOPIC L; TELESCOPIC MODEL,STS44	SA	1

No.	Lvl.	Loc.	Material Code	Description & Specification	SNA	Qty.
78	1	SA	DG97-00033C	ASSY-LAMP HALOGEN; BT62FQBPST,-,350M254	1	
78-1	2	M538	DG97-00013C	ASSY LAMP-HALOGEN SUB; BT62FQBPST,-,230V/	SC	1
78-2	2	U105	DG47-00006A	LAMP-HALOGEN; BT63BSST / BWT,40W,230V,TWI	SA	1
79	2	M272	DG59-00004A	RACK-WIRE ROAST; BT63BSST,MSWR,W422, L289	SA	1
81	3	P285	DG61-00080A	SPIT-JACK; BT63BSST,MSWR,CR+3 COATING	SA	1
84	1	M277	DG31-00003A	MOTOR DRIVE-SPIT; 323,BT63BSST,FREE,230V,	SA	1
85	1		DG61-00193B	BRACKET-COOLING-GUIDE; DX6211K,GA-SGCC,T0	SA	1
86	1	M083	DG63-00124A	COVER-ADIABATIC-R; BT62FQBPST,GI-SGCC,T0.	SNA	1

## 2. ASSY DOOR

### Exploded View



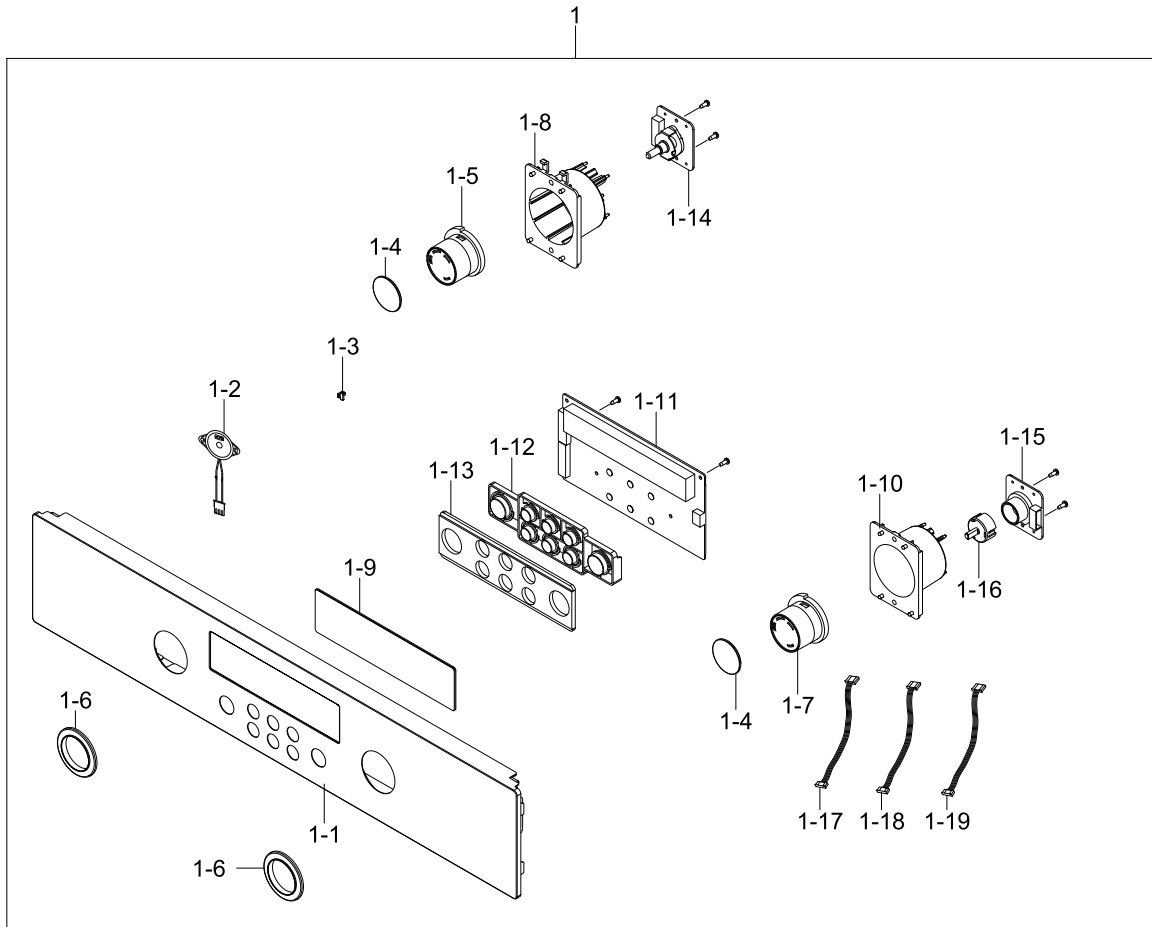
### Parts List

No.	Lvl.	Loc.	Material Code	Description & Specification	SNA	Qty.
1	1	D049	DG94-00076M	ASSY DOOR; GEO 699, GLASS+STS, STSS, GEO Cur	SA	1
1-1	2	D147	DG63-00133B	COVER HANDLE; GEO, ABS, NATURAL STS SILVER,	SA	2
1-2	2	D019	DG64-00203A	HANDLE DOOR; GEO, AL, CURVED, ANODAZING, HAI	SA	1
1-3	2	D015	DG94-00075F	ASSY DOOR SUB; GEO 699, STS+GLASS, GEO PYRO	SA	1
1-3-1	3	D146	DG64-00138F	GLASS-DOOR OUTER; GEO, GLASS, T4.0, W594, L46	SNA	1
1-3-2	3	D154	DG96-00056A	ASSY-FRAME DOOR LEFT; BT65FQBPST, -, -	SNA	1
1-3-2-1	4	D115	DG61-00243A	FRAME-DOOR LEFT; BT65FQBPST, GA-SGCC, BLK C	SNA	1

No.	Lvl.	Loc.	Material Code	Description & Specification	SNA	Qty.
1-3-3	3		DG96-00057A	ASSY-FRAME DOOR RIGHT; BT65FQBPST,-,-	SNA	1
1-3-3-1	4	D114	DG61-00244A	FRAME-DOOR RIGHT; BT65FQBPST,GA-SGCC,BLK	SNA	1
1-3-4	3	D152	DG61-00231A	SUPPORT-FRAME LEFT; JM PYROLYTIC,PBT+GF,B	SNA	1
1-3-5	3	D153	DG61-00232A	SUPPORT-FRAME RIGHT; JM PYROLYTIC,PBT+GF,	SNA	1
1-4	2	D105	DG63-00115A	COVER-HINGE RIGHT; JM PYROLYTIC,GA-SGCC,T	SA	1
1-5	2	D106	DG63-00116A	COVER-HINGE LEFT; JM PYROLYTIC,GA-SGCC,T1	SNA	1
1-6	2	V002	DG97-00023E	ASSY HINGE; BT65FQBPST,-,-,PYROLYTIC-JM,6	SA	2
1-7	2	P420	DG61-00350A	HOLDER-GLASS RUBBER R; BQ2Q7G069,SILICONE	SA	1
1-8	2	P421	DG61-00351A	HOLDER-GLASS RUBBER L; BQ2Q7G069,SILICONE	SA	1
1-9	2	D109	DG64-00154B	GLASS-DOOR MIDDLE; BT62FQBPST,GLASS,T4.0,	SA	2
1-10	2	D110	DG64-00155A	GLASS-DOOR INNER; JM PYROLYTIC,GLASS,T4.0	SA	1
1-11	2	D113	DG67-00027C	DUCT-DOOR COVER; ATAG Pyrolytic,GA-SGCC,T	SA	1
1-12	2	D151	DG61-00254A	HOLDER-DOOR LOCK; BT65FQBPST,PA66,BLACK,G	SA	1

### 3. ASSY CONTROL BOX

Exploded View



Parts List

No.	Lvl.	Loc.	Material Code	Description & Specification	SNA	Qty.
1	1	C082	DG94-00718F	ASSY CONTROL BOX; NV70F2793NS/EF,230V50Hz	SNA	1
1-1	2	C001	DG94-00037C	ASSY CONTROL PANEL; BT62FQBPST,-,-,230V50	SA	1
1-2	2	C197	DE96-00686B	ASSY BUZZER; E-OVEN,KPR-G3020-450,450mm,2	SA	1
1-3	2	C160	DG64-00053A	KNOB-INDICATE; HS-C427AST,ABS,HB,TEMPTATIO	SNA	1
1-4	2	C191	DG67-00004A	CAP-DIAL; BT63BSST,AL,T2.0,STS SILVER,SPI	SNA	2
1-5	2	C185	DG64-00056B	KNOB-DIAL SELECT; BF62FPBPST,PBT,GF15,BLK	SA	1
1-6	2	C182	DG64-00027B	KNOB-DIAL RING; BF62FPBPST,PBT,GF15,BLK,P	SA	2
1-7	2	C190	DG64-00057B	KNOB-DIAL ENCODER; BF62FPBPST,PBT,GF15,BL	SA	1



No.	Lvl.	Loc.	Material Code	Description & Specification	SNA	Qty.
1-8	2	C201	DG63-00087A	COVER-DIAL-SELECT; BT62FQBPST,PC,BLK,LEXA	SA	1
1-9	2	C009	DG64-00073A	WINDOW-DISPLAY; BT63FDST,GLASS,T3.0,W172,	SNA	1
1-10	2	C193	DG63-00033A	COVER-DIAL ENCODER; BF62CBST,PC,-,-,-,-,-	SA	1
1-11	2	C154	DE96-00890F	ASSY DISPLAY; BQ3Q3T073/XEC,DAM-MD METRO	SA	1
1-12	2	C011	DG64-00070B	BUTTON-SELECT(A); BT62FQBPST,PBT,GF15,BLK	SA	1
1-13	2	C068	DG64-00071A	BUTTON-RING; PC,BLK,CLASSIC PLUS2	SA	1
1-14	2	C319	DE96-00810A	ASSY-MODE; BF1C4T082/XEO,DAM-GEO CP MODE-	SA	1
1-15	2	C179	DE96-00577A	ASSY PCB SUB; CLASSIC,BF64CBST,N,ENCODER	SNA	1
1-16	2	C192	DG61-00061A	HOLDER-ENCODER SWITCH; BT63BSST,PA66,BLK,	SA	1
1-17	2	W038	DG96-00199A	ASSY WIRE HARNESS-B; BQ2D7G044,230/240V;	SA	1
1-18	2	W004	DG96-00200A	ASSY WIRE HARNESS-C; BQ2D7G044,230/240V;	SA	1
1-19	2	W005	DG96-00201A	ASSY WIRE HARNESS-D; BQ2D7G044,230/240V;	SA	1