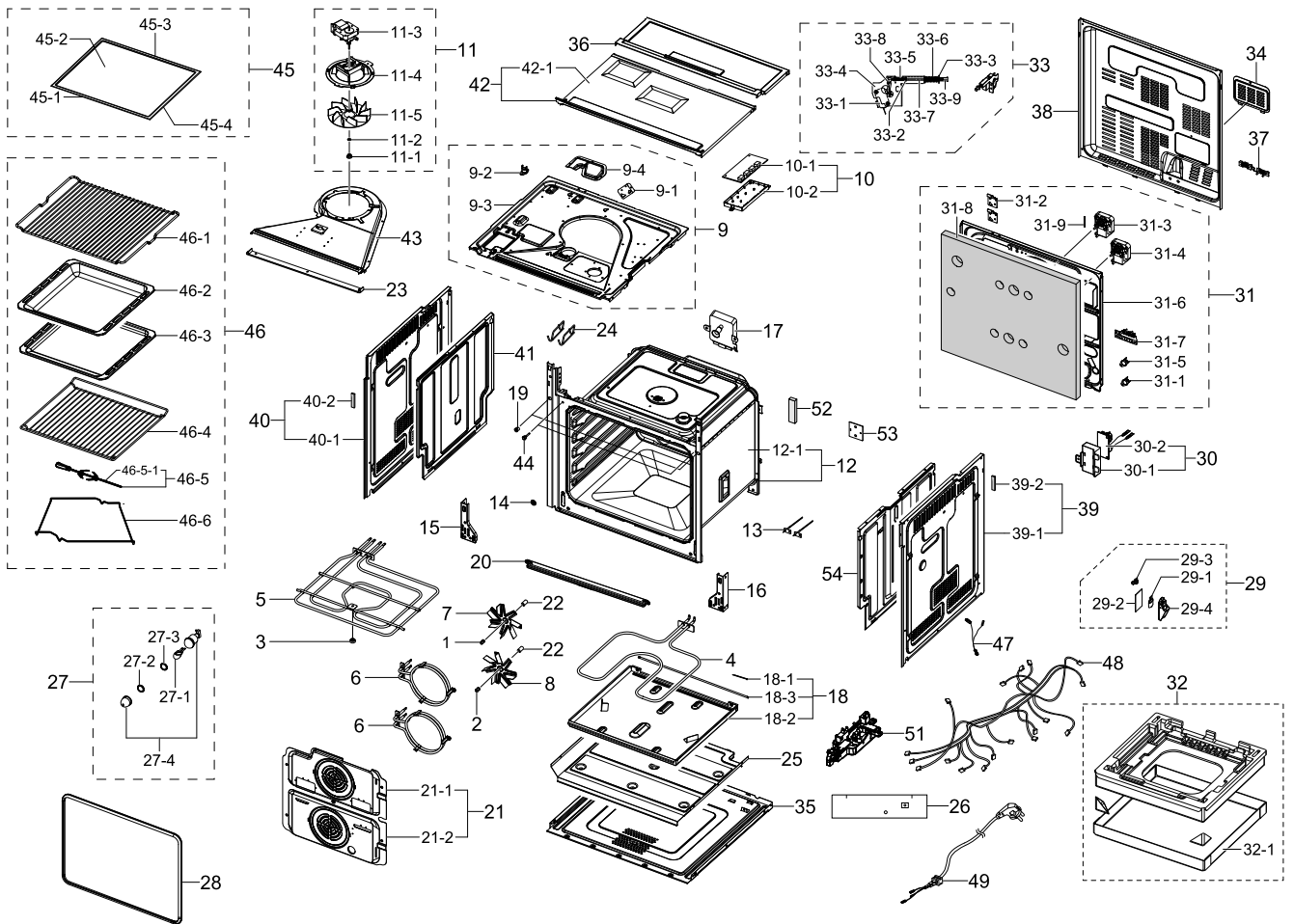


# 1. BQ1Q6T092/XEF

## Exploded View



## Parts List

No.	Lvl.	Loc.	Material Code	Description & Specification	SNA	Qty.
1	1	X107	6021-001208	NUT-HEXAGON CAP; M4,NI PLT,SWRCH10A	SNA	1
2	1	X107	6021-001211	NUT-HEXAGON CAP; M4,NI PLT,SWRCH10A,LEFT	SNA	1
3	1	H024	DE60-30016A	NUT-FLANGE; MSWR-SWRM,MSWR10	SA	2
4	1	M224	DG47-00007A	HEATER SHEATH-BOTTOM; SHB-BT63E,E-OVEN,SU	SA	1
5	1	M007	DG47-00025A	HEATER SHEATH-GRILL; BT62FQBPST,2700W,230	SA	1
6	1	H048	DG47-00009A	HEATER SHEATH-CONVECTION; SHC-BT63E,BT63B	SA	2
7	1	H057	DG67-00001B	FAN-CONVECTION UPPER; BT62FQBPST,ALCOT,Pi	SA	1
8	1	H058	DG67-00011B	FAN-CONVECTION LOWER; BT62FQBPST,ALCOT,Pi	SA	1

Exploded Views and Parts List

No.	Lvl.	Loc.	Material Code	Description & Specification	SNA	Qty.
9	1	P214	DG96-00037F	ASSY BRACKET UPPER; BT620FQPST,-,-,NO PIP	SA	1
9-1	2	H111	DE61-50490A	BRACKET-TCO; EGI-SECC,T0.5,34,47	SA	2
9-2	2	M032	DG47-00010B	THERMOSTAT; NT-103NC,250V,15A,1205,0,25	SA	2
9-3	2	M003	DG61-00191B	BRACKET-UPPER; BF62CBST(SINGLE),GI-SGCD,T	SNA	1
9-4	2	M013	DG61-00192A	BRACKET-AIR-GUIDE; BT62FQBPST,ALCOT,T0.6,	SA	1
10	1	C300	DG92-01001V	ASSY HOLDER-PCB; BQ1Q6T092,GEO, 7STEP, PY	SA	1
10-1	2	C365	DE92-02208F	ASSY PCB MAIN; LCD,24TWIN_SINGLE-05,Y,230	SA	1
10-2	2	C195	DG61-00060B	HOLDER-PCB MAIN; 24" all model,PA66,BLK	SA	1
11	1	M258	DG96-00005C	ASSY MOTOR-COOLING; BT62FQBPST,-,-,-,PYRO	SA	1
11-1	2	H024	DE60-30016A	NUT-FLANGE; MSWR-SWRM,MSWR10	SA	3
11-2	2	H009	DE60-40026B	WASHER-PLAIN; ZNC,OD12,T1.0,SBC1	SA	1
11-3	2	M302	DG31-00001C	MOTOR AC FAN-BLOWER; SMV-610PEA,2,230V,50	SA	1
11-4	2	M260	DG61-00056A	SUPPORT-MOTOR COOLING; BT63BSST,PA66,BLK,	SA	1
11-5	2	M261	DG67-00017A	FAN-COOLING; BT62FQBPST,PA66,NYLON#66 GF1	SA	1
12	1	P141	DG94-00003T	ASSY CAVITY-COATING; 2.2,Enamel,SPP,FOAMI	SNA	1
12-1	2	Z778	DG94-00003S	ASSY CAVITY-WELDING; 2.2,Enamel,SPP,FOAMI	SNA	1
13	1	M300	DG32-00004A	THERMISTOR-SENSOR; PT-SENSOR	SA	2
14	1	M262	6031-001545	WASHER-SPRING; STS430,ID5,OD11.8,T0.3,Dar	SA	4
15	1	M294	DG61-00255A	SUPPORT-HINGE LEFT; JM PYROLYTIC,GI-SGCC,	SA	1
16	1	M293	DG61-00256A	SUPPORT-HINGE RIGHT; JM PYROLYTIC,GI-SGCC	SA	1
17	1	M277	DG31-00003A	MOTOR AC DRIVE; 323,BT63BSST,8,230V,50/60	SA	1
18	1	P229	DG97-00105B	ASSY COVER-BOTTOM HEATER; BT62FQBPST,-,-,	SA	1
18-1	2	U028	DG47-00027A	HOLDER-R PIN; BT62FQBPST	SA	1
18-2	2	M241	DG63-00007A	COVER-BOTTOM HEATER; BT63BSST,GI-SGCC,T0.	SNA	1
18-3	2	U029	DG66-00014A	WIRE-COVER BOTTOM HEATER; BT62FQBPST,STAI	SA	1
19	1	M242	DG63-00119A	COVER-SCREW; BT65FQBPST,ABS,PYROLYTIC,HG0	SA	2
20	1		DG64-00413A	DOOR-GUTTER; NEO PJT,GA,T0.5,BLACK-COATIN	SA	1

No.	Lvl.	Loc.	Material Code	Description & Specification	SNA	Qty.
21	1	H005	DG97-00038D	ASSY COVER CASING; BT62FQBPST,-,-,PYROLYT	SA	1
21-1	2	P318	DG61-00096A	BRACKET-COVER CASING; BT63BSSTR,SPP,T0.6	SNA	1
21-2	2	H015	DG63-00040D	COVER-CASING; BT62FQBPST,SPP,T0.8,PYROLYT	SNA	1
22	1	H049	DG60-00001A	SPACER-FAN CONVECTION; BT63BSST,STKM11A,L	SA	2
23	1		DG61-00731A	BRACKET-COOLING GUIDE; BQ1Q4T090/XEF,GA-S	SA	1
24	1		DG64-00470A	HANDLE GRIP; BT62FQBPST,STAINLESS-STS430,	SA	2
25	1	P280	DG63-00083A	COVER-ADIABATIC LOWER; BT62FQBPST,GI-SGCC	SA	1
26	1	M333	DG62-00015A	ADIABATIC-MAIN; BT62FQBPST,CERAMIC WOOL,T	SNA	1
27	1	M248	DG97-00011D	ASSY LAMP BULB; BQ2Q7G069,PYROLYTIC,Sunli	SA	1
27-1	2	U013	DE47-00040B	LAMP-HALOGEN; G9,40W,230V,FROST BULB	SA	1
27-2	2	M265	DG63-00029A	COVER-RING BULB; BT63BSST,STAINLESS-STS30	SA	1
27-3	2	M250	DG63-00098A	SHEET-RING BULB; BT62FQBPST,STS304,T0.5,W	SA	1
27-4	2	M249	DG97-00012B	ASSY LAMP BULB-SUB; BT62FQBPST,-,-,PYRO	SA	1
28	1	M370	DG63-00095A	GASKET-DOOR; BT62FQBPST,FIBER GLASS,FIBER	SA	1
29	1	SA	DG97-00033C	ASSY-LAMP HALOGEN; BT62FQBPST,-,350M254	1	
29-1	2	U105	DG47-00006A	LAMP-HALOGEN; BT63BSST / BWT,40W,230V,TWI	SA	1
29-2	2	M255	DG63-00027B	COVER-LAMP HALOGEN; BT62FQBPST,GLASS,PYRO	SNA	1
29-3	2	M256	DG70-00001A	HOOK-COVER HALOGEN; BT63BSST / BWT,SK5,T0	SNA	1
29-4	2	M538	DG97-00013C	ASSY LAMP-HALOGEN SUB; BT62FQBPST,-,230V/	SC	1
30	1		DG94-00385C	ASSY HOLDER NOISE FILTER; STEAM _ JUPITER	SA	1
30-1	2	M264	DG61-00444C	HOLDER-NOISE FILTER; BI-SINGLE,PBT+GF,BLA	SA	1
30-2	2	M017	DG96-00021A	ASSY NOISE FILTER; -,SN-BF63,250V15A,E-OV	SA	1
31	1		DG94-00395R	ASSY COVER ADIABATIC-REAR; BT62FQBPST,GI,	SA	1
31-1	2	M451	DE47-20032B	THERMOSTAT; NT-101,125/250V,855,755,1	SA	1

## Exploded Views and Parts List

No.	Lvl.	Loc.	Material Code	Description & Specification	SNA	Qty.
31-2	2	H111	DE61-50490A	BRACKET-TCO; EGI-SECC,T0.5,34,47	SA	2
31-3	2	H001	DG31-00018A	MOTOR AC CONVECTION; 24" OVEN,SMC-EBQV1A,	SA	1
31-4	2	H001	DG31-00019A	MOTOR AC CONVECTION; LOBSTAR,SMC-EBQV1B,2	SA	1
31-5	2	M032	DG47-00010B	THERMOSTAT; NT-103NC,250V,15A,1205,0,25	SA	2
31-6	2	P258	DG63-00202A	COVER-ADIABATIC REAR; BQ3N3T020,GI-SGCC,T	SNA	1
31-7	2	G005	DG65-00002A	TERMINAL BLOCK; BT63BSST,PA66,6 sqmm,BROW	SA	1
31-8	2	P287	DG62-00014A	ADIABATIC-REAR; BT62FQBPST,CERAMIC WOOL,T	SNA	1
31-9	2	M413	DG62-00021B	TUBE-GLASS; BQ3N3T,GLASS FIBER,4.1,40MM,3	SNA	2
32	1		DG98-01043C	ASSY PACKING-BOTTOM; 24" Shrinkage,W680 D	SNA	1
32-1	2		DG69-00143B	PAD BOTTOM; 24" Shrinkage(2011),CB,805,96	SNA	1
33	1		DG97-00014F	ASSY-PARTITION SWITCH; PYRO-MODEL,cap-sha	SA	1
33-1	2	B048	3405-001034	SWITCH-MICRO; 125/250VAC,16A,200gf,SPST-N	SA	1
33-2	2		6044-000307	RING-E; ID3.0,OD7.0,T0.6,ZPC(BLK),STS304	SNA	1
33-3	2	H008	DE60-40026A	WASHER-PLAIN; STAINLESS-STS304,OD12,T1.0,	SNA	1
33-4	2		DG61-00025A	BRACKET-PARTITION SWITCH; BT63BSST,GI-SGC	SNA	1
33-5	2	B030	DG61-00068B	SPRING ETC-PARTITION; BT62FQBPST,STAINLES	SNA	1
33-6	2		DG61-00258A	SPRING ETC-RING; BT62FQBPST,STAINLESS-STS	SNA	1
33-7	2		DG66-00003A	SHAFT-PARTITION SWITCH; BT63BSST,MSWR-SWR	SNA	1
33-8	2		DG66-00008A	LEVER-SWITCH PARTITION; BT63BSST,PA66,-,-	SNA	1
33-9	2	B033	DG67-00030A	CAP-SHAFT PARTITION; basic 24 oven,STAINL	SNA	1
34	1	H050	DG61-00031A	BRACKET-AS COVER; BT63BSST,GI-SGCC,T0.6,W	SA	1
35	1	U075	DG61-00051A	BASE-BOTTOM; BT63BSST,GI-SGCD,T0.5,W555,L	SNA	1
36	1	H052	DG61-00053A	CASE-UPPER B; BT63BSST,GI-SGCC,T0.5,-,BI	SA	1
37	1		DG61-00405A	HOLDER-CABLE; DX6292K,PA66,WHT	SA	1
38	1	P186	DG63-00009B	COVER-BACK; BT62FQBPST,GI-SGCC,T0.5,W546.	SA	1
39	1		DG94-00328C	ASSY CASE-R; GF94TRT001,COOKER,HANDLE HOL	SA	1

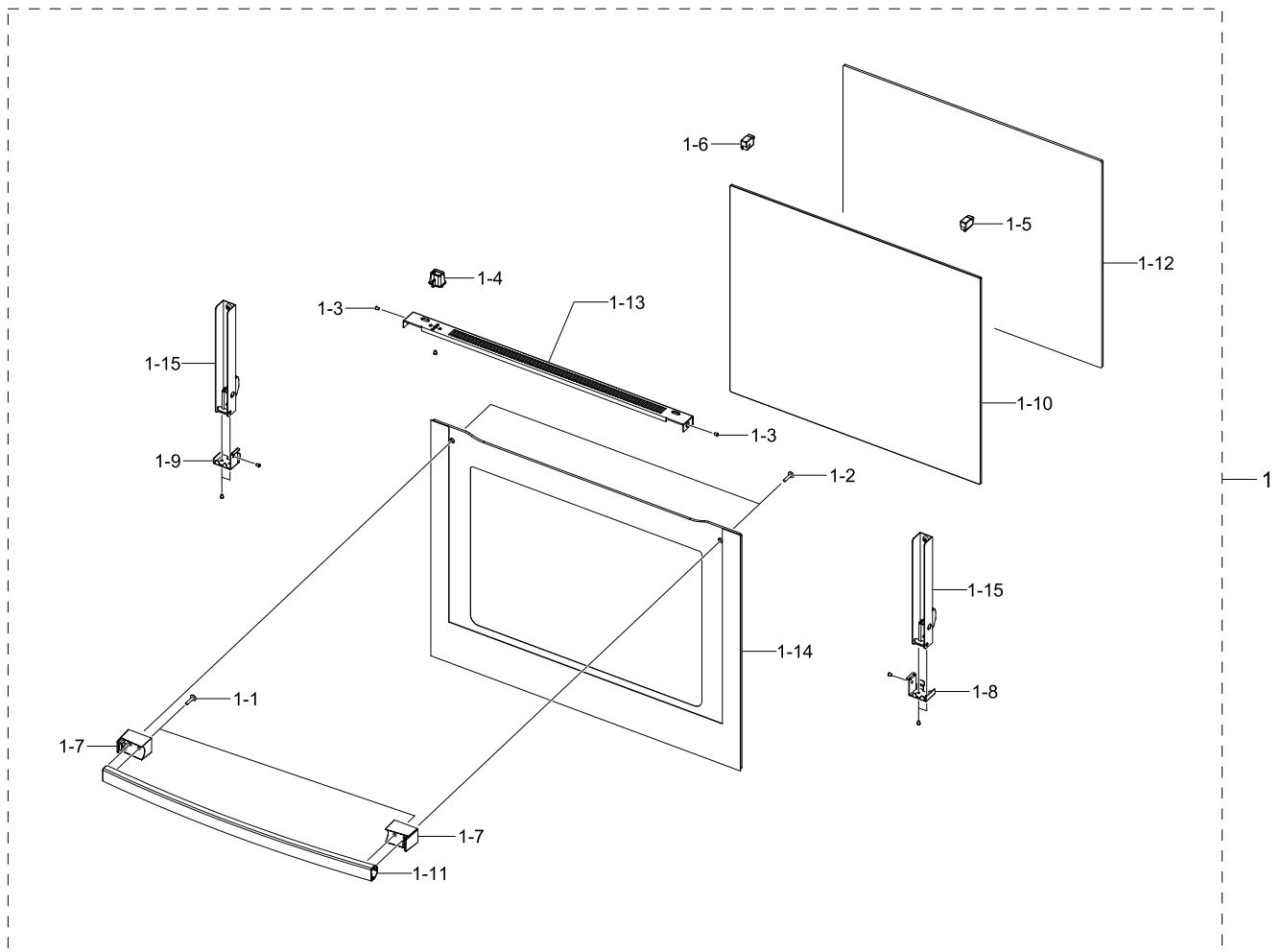
No.	Lvl.	Loc.	Material Code	Description & Specification	SNA	Qty.
39-1	2	H053	DG61-00654B	CASE-RIGHT; NEO PJT,GI-SGCC,T0.5,W595,L10	SNA	1
39-2	2	P021	DG63-00184B	CUSHION-SPONGE; GF94TRT001,POLYURETHANE F	SNA	1
40	1		DG94-00329C	ASSY CASE-L; GF94TRT001,COOKER,HANDLE HOL	SA	1
40-1	2	H054	DG61-00655B	CASE-LEFT; NEO PJT,GI-SGCC,T0.5,W600,L533	SNA	1
40-2	2	P021	DG63-00184B	CUSHION-SPONGE; GF94TRT001,POLYURETHANE F	SNA	1
41	1	P282	DG63-00085A	COVER-ADIABATIC-L/R; BT62FQBPST,GI-SGCC,T	SA	1
42	1	H094	DG94-00361A	ASSY CASE-UPPER; BF641FST,GI,T0.5	SA	1
42-1	2	H051	DG61-00052A	CASE-UPPER A; BT63BSST,GI-SGCC,T0.5,W570.	SNA	1
43	1	M392	DG63-00086B	COVER-FAN-COOLING; BT62FQBPST,GI-SGCC,T0.	SA	1
44	1	M268	DG73-00002A	RUBBER-CUSHION; BT63BSST,SILICONE RUBBER,	SA	2
45	1	B034	DG94-00743A	ASSY-PARTITION; NV6786BNESR,NEO PJT	SA	1
45-1	2		DG63-00285A	COVER-PARTITION FRONT; NEO PJT,STAINLESS-	SNA	1
45-2	2	B039	DG67-00070A	PARTITION-UPPER; NEO PJT,SPP,T0.6,W454.2,	SNA	1
45-3	2	B037	DG63-00286A	COVER-PARTITION BACK; NEO PJT,STAINLESS-S	SNA	1
45-4	2	B038	DG67-00071A	PARTITION-LOWER; NEO PJT,SPP,T0.6,W456.8,	SNA	1
46	1		DG98-01027Z	ASSY PACKING ACCESSORY; BQ2Q7G069/XEF,New	SNA	1
46-1	2	M272	DG59-00004A	RACK-WIRE ROAST; BT63BSST,MSWR,W422, L289	SA	1
46-2	2	T111	DG63-00011A	TRAY-BAKING B; BT63BSST,SPP,T0.6,W660,L47	SA	1
46-3	2	T112	DG63-00012A	TRAY-BAKING A; BT63BSST,SPP,T0.6,W550,L47	SA	1
46-4	2		DG75-01055A	RACK WIRE; MSWR-SWRM,461,337.89	SA	1
46-5	2	Z031	DG90-00006A	ASSY PACKING-JACK SPIT; BT63TDFST/XEH,Jac	SNA	1
46-5-1	3	P285	DG61-00080A	SPIT-JACK; BT63BSST,MSWR,CR+3 COATING	SA	1
46-6	2	P225	DG59-00002C	RACK-SPIT WIRE; WIRE RACK SPIT,MSWR,W460.	SA	1
47	1	W006	DG96-00197A	ASSY WIRE HARNESS-E; BQ3N3T013,230/240V;	SA	1
48	1	W002	DG96-00144D	ASSY WIRE HARNESS-A; BQ1Q6T092,230/240V;	SA	1
49	1	M015	DG96-00084A	ASSY POWER CORD; VDE/KC,Straight,EUROPE/K	SA	1

Exploded Views and Parts List

No.	Lvl.	Loc.	Material Code	Description & Specification	SNA	Qty.
51	1	D120	DG97-00100A	ASSY-DOOR LOCK; -,BT62FQBPST,-	SA	1
52	1	M389	DG62-00017A	ADIABATIC-HEATER; BT62FQBPST,CERAMIC WOOL	SNA	1
53	1	M388	DG62-00018A	ADIABATIC-SPIT MOTOR; BT62FQBPST,CERAMIC	SNA	1
54	1	M083	DG63-00124A	COVER-ADIABATIC-R; BT62FQBPST,GI-SGCC,T0.	SNA	1

## 2. ASSY DOOR

### Exploded View



### Parts List

No.	Lvl.	Loc.	Material Code	Description & Specification	SNA	Qty.
1	1	D049	DG94-00076X	ASSY DOOR; GEO 699,STSS,GEO Curved Handle	SA	1
1-1	2	Z028	6001-000623	SCREW-MACHINE; PH,+,M5,L10,ZPC(WHT),SM10C	SA	2
1-2	2	Z028	6001-002058	SCREW-MACHINE; TH,+,M5,L40,ZPC(WHT),SWRCH	SA	2
1-3	2	X009	6002-001316	SCREW-TAPPING; FH,+,2S,M4,L12,BLK Coating	SA	2
1-4	2	D151	DG61-00254A	HOLDER-DOOR LOCK; BT65FQB PST,PA66,BLACK,G	SA	1
1-5	2	P420	DG61-00350A	HOLDER-GLASS RUBBER R; BQ2Q7G069,SILICONE	SA	1
1-6	2	P421	DG61-00351A	HOLDER-GLASS RUBBER L; BQ2Q7G069,SILICONE	SA	1

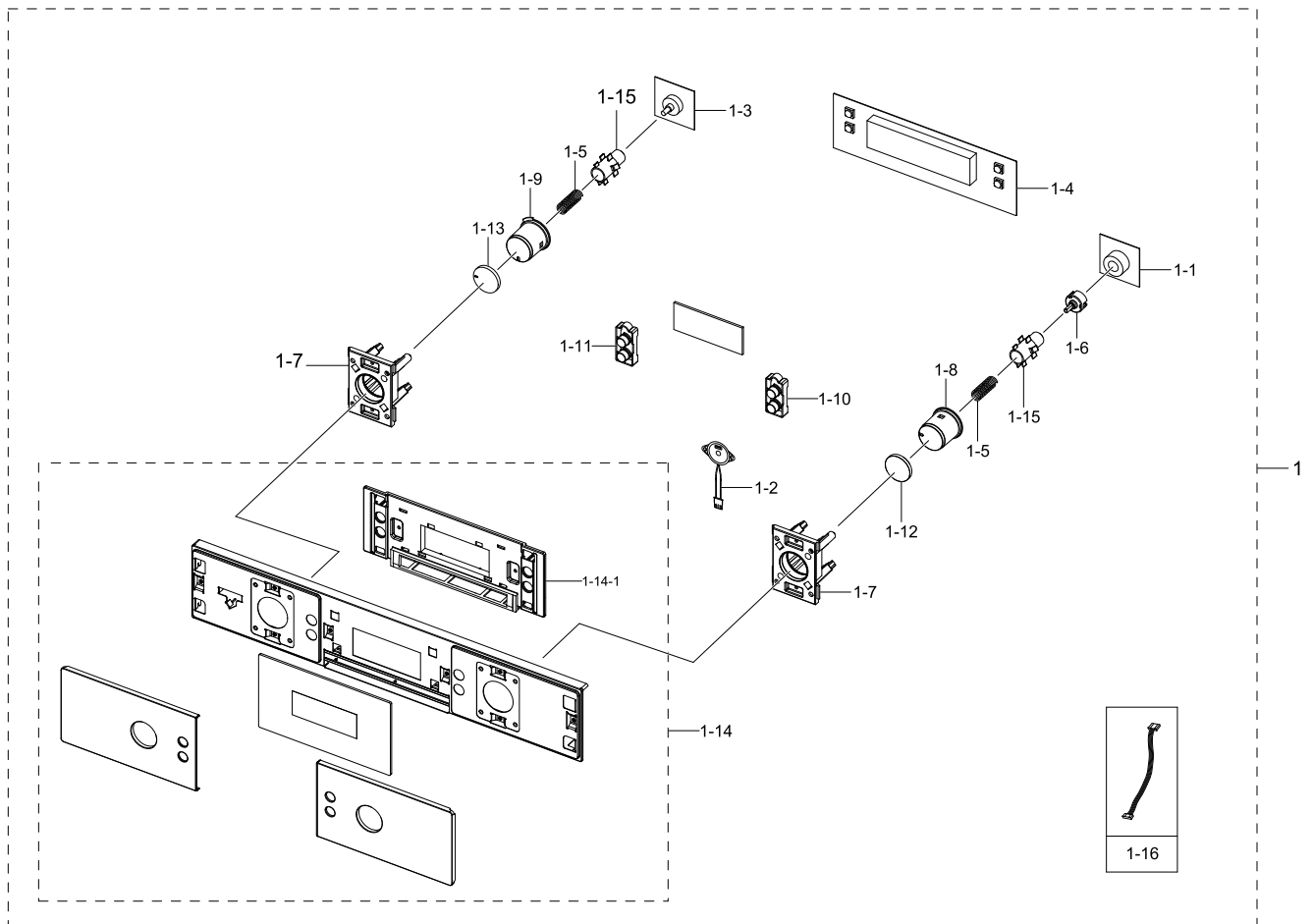
## Exploded Views and Parts List

No.	Lvl.	Loc.	Material Code	Description & Specification	SNA	Qty.
1-7	2	D147	DG63-00133B	COVER HANDLE; GEO,ABS,NATURAL STS SILVER,	SA	2
1-8	2		DG63-00316A	COVER HINGE-R; NV70F7796MS,GA-SGCC,T1.2,W	SA	1
1-9	2		DG63-00316B	COVER HINGE-L; NV70F7796MS,GA-SGCC,T1.2,W	SA	1
1-10	2	D109	DG64-00154B	GLASS-DOOR MIDDLE; BT62FQBPST,GLASS,T4.0,	SA	1
1-11	2	D019	DG64-00203A	HANDLE DOOR; GEO,AL,CURVED,ANODAZING, HAI	SA	1
1-12	2	D110	DG64-00439A	GLASS-DOOR INNER; NV70F7796MS,GLASS,T4.0,	SA	1
1-13	2	D113	DG67-00027C	DUCT-DOOR COVER; ATAG Pyrolytic,GA-SGCC,T	SA	1
1-14	2	D015	DG94-00075N	ASSY DOOR SUB; GEO 699,STS+GLASS,3GLASS,	SNA	1
1-15	2	V002	DG97-00023A	ASSY HINGE; BT63BSST / BWT,-,-,BRERA	SA	2



## 3. ASSY CONTROL BOX

### Exploded View



### Parts List

No.	Lvl.	Loc.	Material Code	Description & Specification	SNA	Qty.
1	1	C082	DG94-00343F	ASSY CONTROL BOX; BQ1Q6T092,230V50Hz,STSS	SNA	1
1-1	2	Y101	DE92-02030A	ASSY PCB SUB; JP,BT65FQBST,N,ENCODER SWIT	SA	1
1-2	2	C197	DE96-00686B	ASSY BUZZER; E-OVEN,KPR-G3020-450,450mm,2	SA	1
1-3	2	C319	DE96-00810A	ASSY-MODE; BF1C4T082/XEO,DAM-GEO CP MODE-	SA	1
1-4	2	C154	DE96-00827A	ASSY DISPLAY; BQ1Q6T092/XEF,DAM-GEO LCD-0	SA	1
1-5	2	C188	DG61-00069A	SPRING ETC-POP UP; BT63BSST / BWT,SWP,10,	SNA	2
1-6	2	C352	DG61-00250A	HOLDER-ENCODER SWITCH; JM PYROLYTIC,PA66,	SA	1
1-7	2	C360	DG61-00306A	HOLDER-KNOB; GEO (TWIN),PC,BLK,TACT	SA	2

## Exploded Views and Parts List

No.	Lvl.	Loc.	Material Code	Description & Specification	SNA	Qty.
1-8	2	C190	DG64-00207C	KNOB-DIAL ENCODER; GEO(TWIN),PC,HB,BLACK,	SA	1
1-9	2	C185	DG64-00207J	KNOB-DIAL SELECT; BQ1D4T006,PC,SILVER SRP	SA	1
1-10	2	C236	DG64-00307B	BUTTON-CLOCK R; BQ1Q3T089,PC,141R BLK,NAT	SA	1
1-11	2	C235	DG64-00307C	BUTTON-CLOCK L; BQ1Q3T092,PC,141R BLK,NAT	SA	1
1-12	2	C244	DG67-00020A	CAP-DIAL ENCODER; JM,AL,STS SILVER,SPIN H	SNA	1
1-13	2	C245	DG67-00020B	CAP-DIAL SELECT; JM,AL,STS SILVER,SPIN HA	SA	1
1-14	2	C001	DG94-00344D	ASSY CONTROL PANEL; BQ1Q6T092,STSS,STSS+G	SA	1
1-14-1	3	C178	DG61-00412A	HOLDER-PCB; BQ1Q6T092,PC,BLK,940 V0	SA	1
1-15	2	C187	DG96-00001A	ASSY-POP UP; BT63BSST,PBT,BI,ITW	SNA	2
1-16	2	T180	DG96-00102A	ASSY-WIRE TOUCH B; 220~240VAC	SA	1