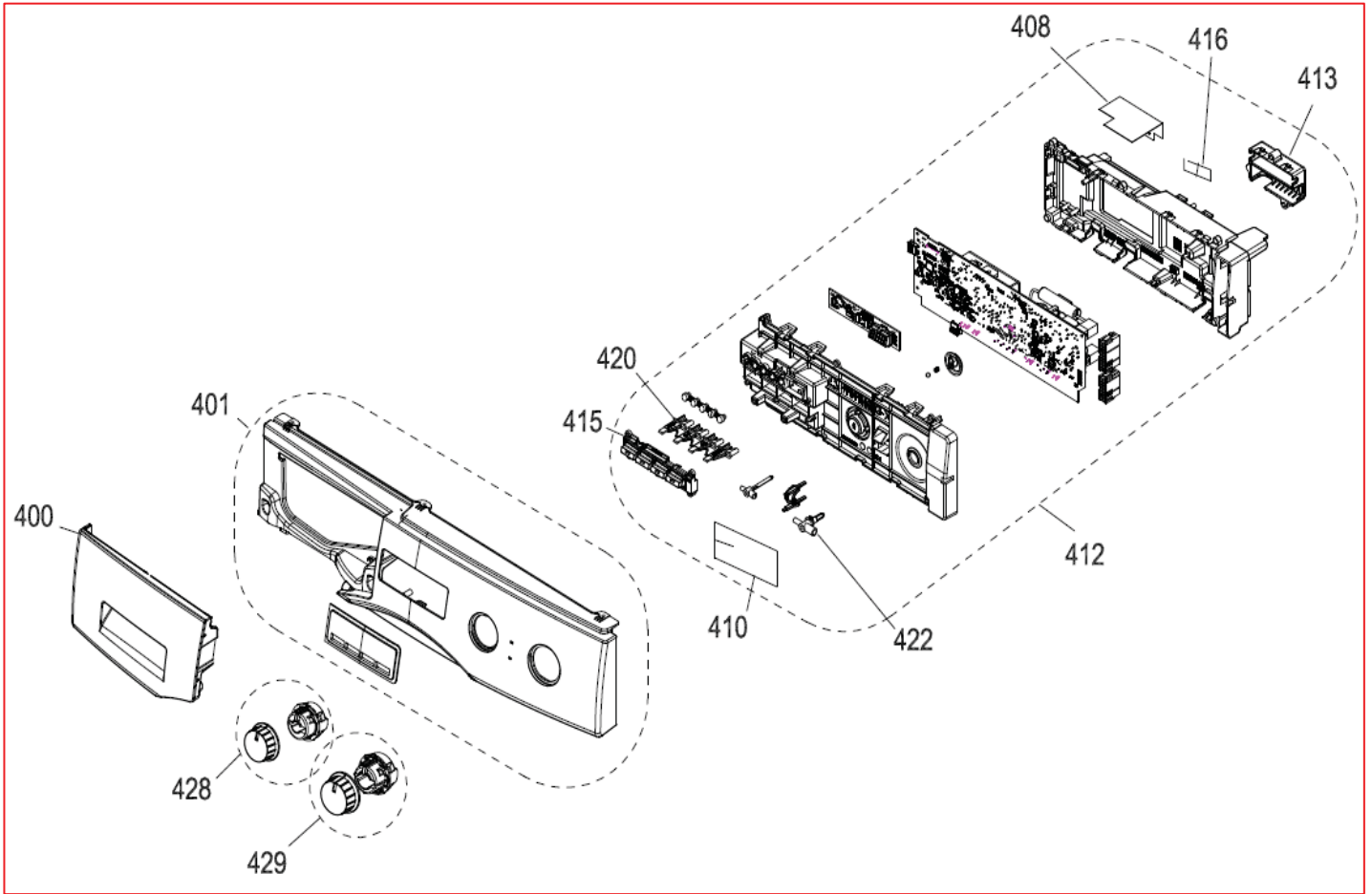


14. Exploded View and Replacement Part List



14.1. Control Panel Parts


14.1.1. Exploded View Control Panel Parts



14.1.2. Control Panel Replacement Parts List - A

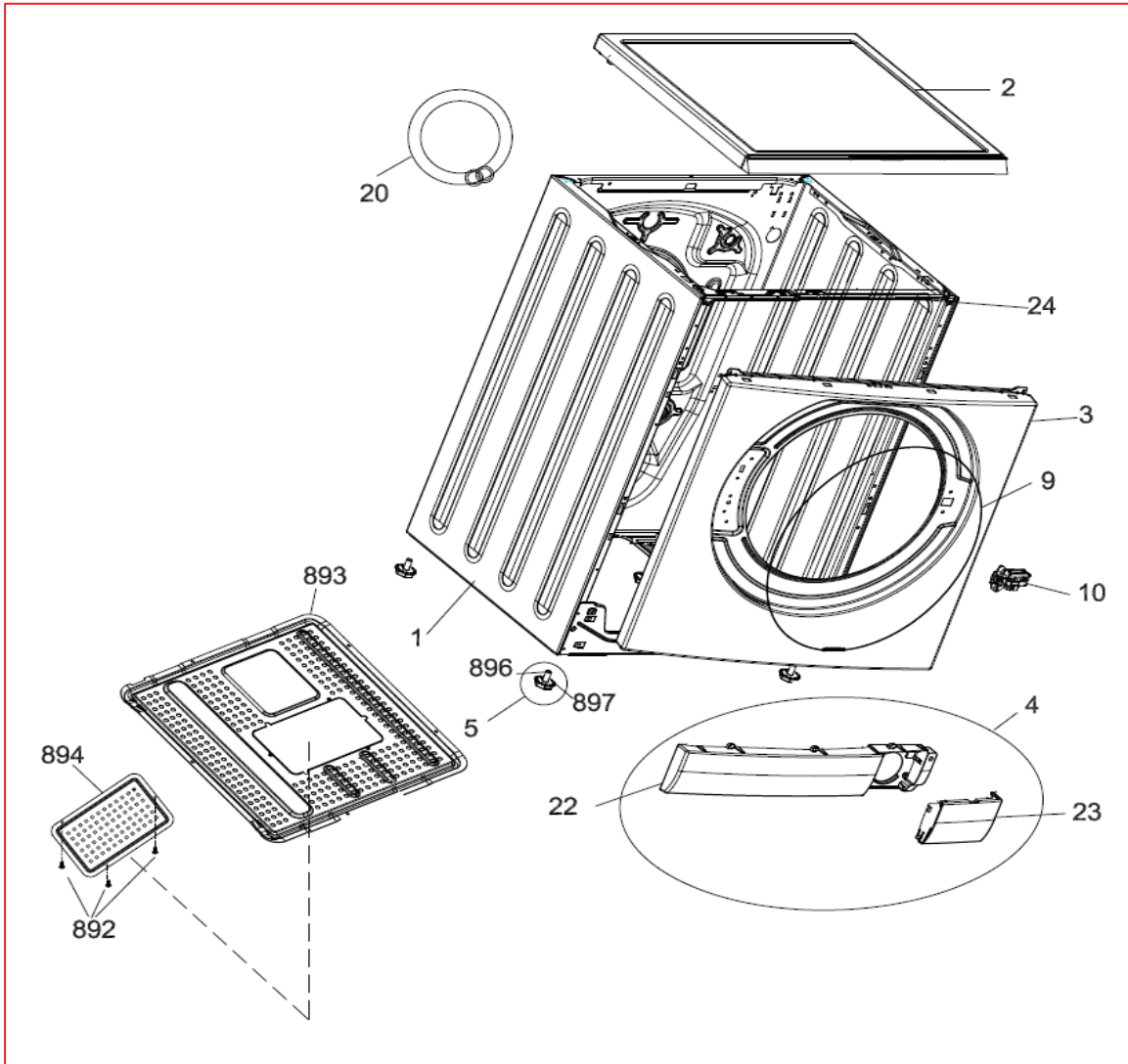
(U) : Indicates parts at the remarks that can be replaced by user.

 : Components identified  mark have special characteristics important for safety. When replacing any of these components use only manufacture's specified parts.

REF. NO	PART NAME	QTY	CODE	REMARKS
400	DETERGENT DRAWER COVER	1	AXWDV-778630	NA-127VB4
		1	AXWDV-778500	NA-147VB4
		1	AXWDV-771900	NA-128VB4
		1	AXWDV-778150	NA-148VB4
			—	—
			—	—
			—	—
			—	—
			—	—
			—	—
			—	—
			—	—
			—	—
			—	—
401	CONTROL PANEL	1	AXWCV-778620	NA-127VB4WGN
		1	AXWCV-777820	NA-127VB4WFR
		1	AXWCV-778310	NA-127VB4WTA
		1	AXWCV-761030	NA-127VB4WGB
		1	AXWCV-778820	NA-127VB4WNR
		1	AXWCV-777890	NA-127VB4WES
		1	AXWCV-778490	NA-147VB4WGN
		1	AXWCV-768000	NA-147VB4WDE
		1	AXWCV-778750	NA-147VB4WNR
		1	AXWCV-778020	NA-147VB4WES
		1	AXWCV-761150	NA-147VB4WGB
		1	AXWCV-777850	NA-128VB4WES
		1	AXWCV-771890	NA-128VB4WFR
		1	AXWCV-778180	NA-128VB4WTA
		1	AXWCV-778140	NA-148VB4WTA
		1	AXWCV-767950	NA-148VB4WDE
408	PCB FOIL	1	AXW1FS-7092	
410	DISPLAY FOIL	1	AXW1FS-7315	
412	ELECTRONIC CARD GR.	1	AXW24V-68093	NA-127VB4
412	ELECTRONIC CARD GR.	1	AXW24V-68094	NA-147VB4
412	ELECTRONIC CARD GR.	1	AXW24V-68088	NA-128VB4
412	ELECTRONIC CARD GR.	1	AXW24V-68095	NA-148VB4
413	CABLE AND FUSE FOLDER COVER	1	AXW2CF-55340	
415	SELECTION BUTTONS	1	AXW146-55331	
416	FUSE	1	AXW1FS-13553	 20 A
420	LIGHT GUIDE QUAD	1	AXW146-55333	
422	PROGRAM ADJ. SHAFT	1	AXW336-55341	
428	SPIN / HEAT ADJ. KNOB GR.	1	AXW6C-755800	
429	PROGRAM ADJ. KNOB GR.	1	AXW6C-755780	

14.2 Front Panel Parts

14.2.1. Exploded View Front Panel Parts

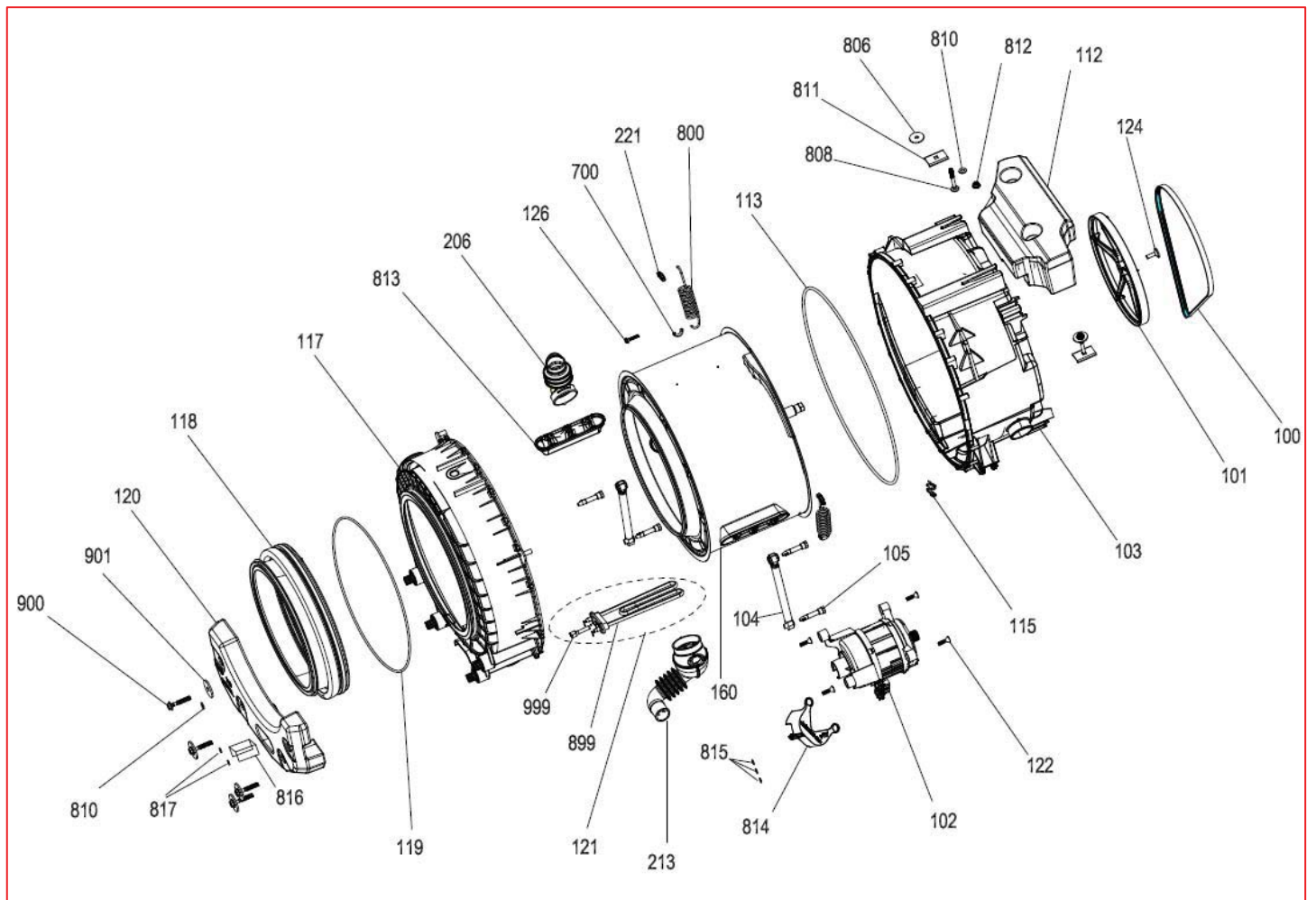


14.2.2. Front Panel Replacement Parts Part List

REF. NO	PART NAME	CODE	QTY	REMARKS
1	BODY GROUP PAINTED	AXW1AB-37787	1	NA-127VB4 - NA-147VB4
		AXW1AB-27916	1	NA-128VB4 - NA-148VB4
2	UPPER TRAY GROUP	AXW11N-07630	1	NA-127VB4 - NA-147VB4
		AXW11N-70764	1	NA-128VB4 - NA-148VB4
3	FRONT PANEL GROUP	AXW1BB-42790	1	
4	PLINTH GROUP	AXW22S-23758	1	
5	ADJUSTABLE FEET GR.	AXW31-00778	4	
9	HOUSING FRAM BELLOW CLIP-PHT	AXW1Z-08309	1	
10	DOOR LOCK	AXW1619-3597	1	⚠
20	WATER ENTRY HOSE GROUP	AXW12C-14423	1	WITHOUT AQUASTOP
	WATER E HOSE GR AQUA STP	AXW12C-09767	1	WITH AQUASTOP
22	PLINTH	AXW130-23756	1	
23	PLINTH COVER	AXW140-23757	1	(U)
24	UPPER SUPPORT BRACKET	AXW1US-70732	1	
892	SCREW TT M4X8 PAN HEAD CR	—	3	FOR ASIA
893	BOTTOM PLATE	—	1	FOR ASIA
894	BOTTOM PLATE COVER	—	1	FOR ASIA
896	SCREW M10X30	AXWSCR-01322	4	
897	FOOT ADJ STAMP PLS	AXWADJ-14905	4	

14.3 Washing Group Parts

14.3.1. Exploded View Washing Group Parts

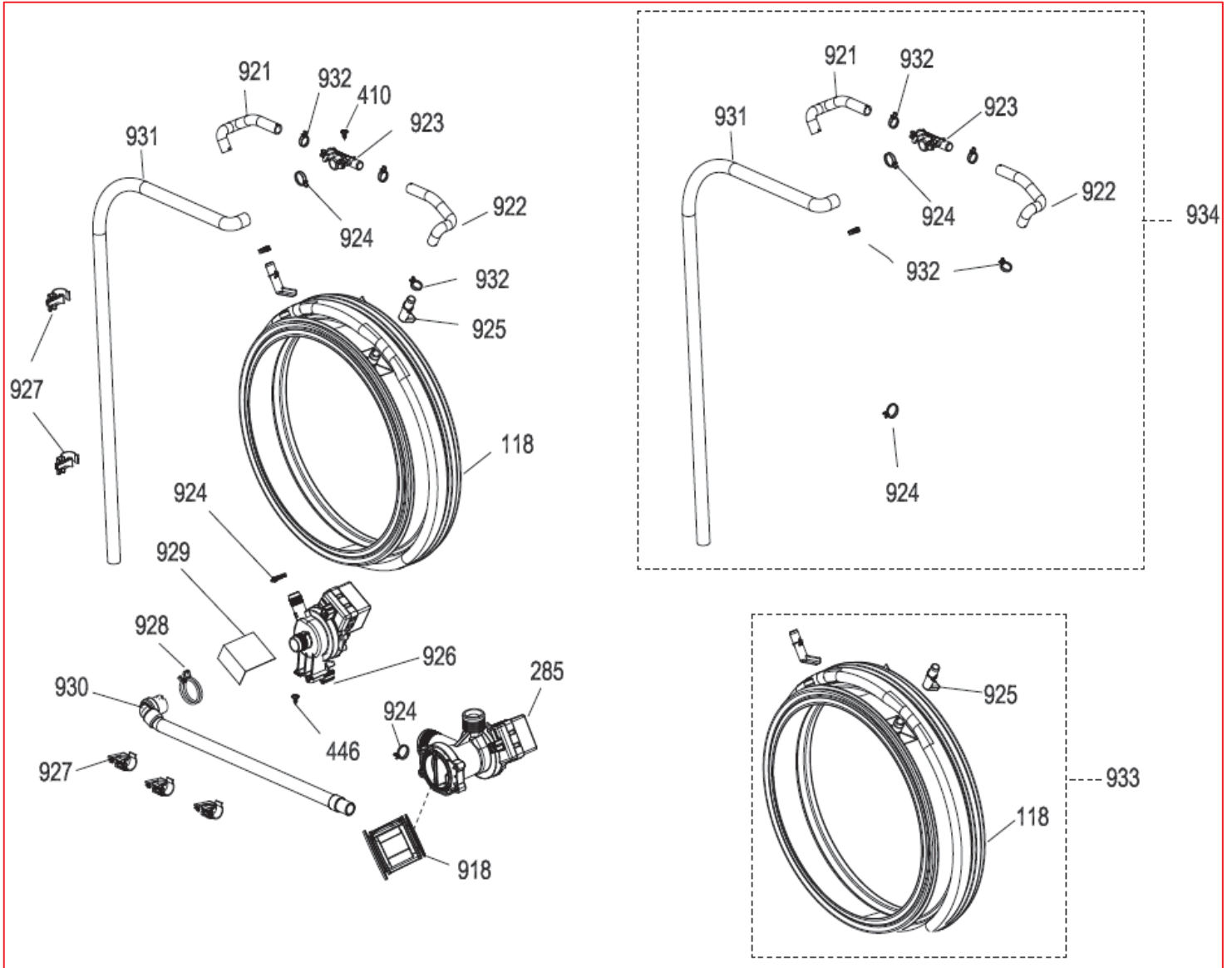


14.3.2. Washing Group Replacement Parts List - A

REF. NO	PART NAME	CODE	QTY	MODEL	REMARKS
103	REAR TUB GROUP	AXW12A-89470	1	NA-127VB4 - NA-147VB4	
		AXW12A-37596	1	NA-128VB4 - NA-148VB4	
117	FRONT TUB	AXW32G-59330	1	NA-127VB4 - NA-147VB4	
		AXW32G-59372	1	NA-128VB4 - NA-148VB4	
160	DRUM GROUP	AXW22B-33867	1	NA-127VB4 - NA-147VB4	
		AXW22B-57607	1	NA-128VB4 - NA-148VB4	
102	MOTOR	AXW401-13066	1	NA-127VB4 - NA-147VB4	⚠
		AXW401-13707	1	NA-128VB4 - NA-148VB4	⚠
814	MOTOR COVER	AXW430-55351	1	NA-127VB4 - NA-147VB4	
		AXW430-55350	1	NA-128VB4 - NA-148VB4	
113	TUB SEAL	AXW212-15077	1		
101	DRIVEN PULLEY	AXW502-00499	1		
100	BELT	AXW412-25178	1	NA-127VB4 - NA-147VB4	
		AXW412-06396	1	NA-128VB4 - NA-148VB4	
122	COUNTERSUNK HEAD BLT 8X28 TRX	AXWSS1-07899	4		
206	TUB ENTRANCE WITH BELLOW HOSE	AXWEBH-14409	1		
118	TUB BELLOWS SEAL	AXW212-25995	1		
126	HEXAGON HEAD BOLT 6X30 PT	AXWSS3-14521	19	NA-127VB4 - NA-147VB4	
	HEXAGON HEAD BOLT 6X30 DELTA PT	AXWSS3-08870	24	NA-128VB4 - NA-148VB4	
900	HEXAGON HEAD BOLT 10 X 52	AXWSB1-07415	4		
901	PLAIN WASHER 10.5X40X2.5	AXW420-08965	4		
810	CONICAL SPRING WSR 8.4X18X2	AXWSW1-06960	6		
105	SHOCK ABSORBER PIN	AXWSAP-25094	4		
119	TUB GASKET CLIP	AXW212-08555	1		
120	FRONT CONCRETE WEIGHT	AXW1231-3571	1		
121	RESISTANCE GR	AXWRG1-31166	1	NA-127VB4 - NA-147VB4	⚠
		AXWRG1-24071	1	NA-128VB4 - NA-148VB4	⚠
999	NTC TEMP SENSOR	AXW1EV-35970	1		⚠
899	RESISTANCE WITHOUT NTC	AXWRG1-12964	1	NA-127VB4 - NA-147VB4	⚠
		AXWRG1-09949	1	NA-128VB4 - NA-148VB4	⚠
115	RESISTANCE FIXING WIRE	AXWRFW-14491	1		
104	SHOCK ABSORBER	AXWSA1-01197	2	NA-127VB4 - NA-147VB4	
		AXWSA1-05034	2	NA-128VB4 - NA-148VB4	
213	TUB EXIT BELLOW HOSE WITH BALL	AXW1250-4954	1		
124	COUNTERSUNK HEAD BOLT M 8X29	AXWSB2-05142	1		
700	TUB HANGER SPRING PART	AXWTHS-19298	2		
800	TUB SPRING	AXW3441-5307	2	NA-127VB4 - NA-147VB4	
		AXW3441-4888	2	NA-128VB4 - NA-148VB4	
808	MUSHROOM HED SQ NCK BLT M 8X65	AXWSB3-03063	2		
806	PLAIN WASHER 8.4X28X3	AXWSW2-07454	2		
811	UPR CRT SUPPORT SHEETIRON PART	AXWUCS-00507	2		
812	HEX.NUT W FLANGE SERRATED M8 D	AXWXNF-00615	2	NA-127VB4 - NA-128VB4	
	PREV.TOR.TY.HEX.NUT W FLAN. M8 D	AXWXNF-06921	2	NA-147VB4 - NA-148VB4	
813	PLASTIC LIFTER	AXW1PL-55352	3	NA-127VB4 - NA-147VB4	
		AXW1PL-25714	3	NA-128VB4 - NA-148VB4	
112	UPPER CONCRETE WEIGHT	AXW1231-3323	1	NA-127VB4 - NA-147VB4	
		AXW1231-0333	1	NA-128VB4 - NA-148VB4	
221	HANGER SPRING SHEETIRON PLS.	AXW1HS-16727	2		
815	SCREW TT M4X12 PAN HEAD TORX	AXWSS2-08716	3	NA-127VB4 - NA-147VB4	
		AXWSS2-08716	1	NA-128VB4 - NA-148VB4	
816	FRONT TUB-RESIST PRTECT FOIL	AXW1PF-07098	1		
817	SCW 3,5X7 P-HEAD W CLR CRS RE.	AXWSS4-15637	2		

14.4 Circulation Group Parts

14.4.1. Exploded View Circulation Group Parts

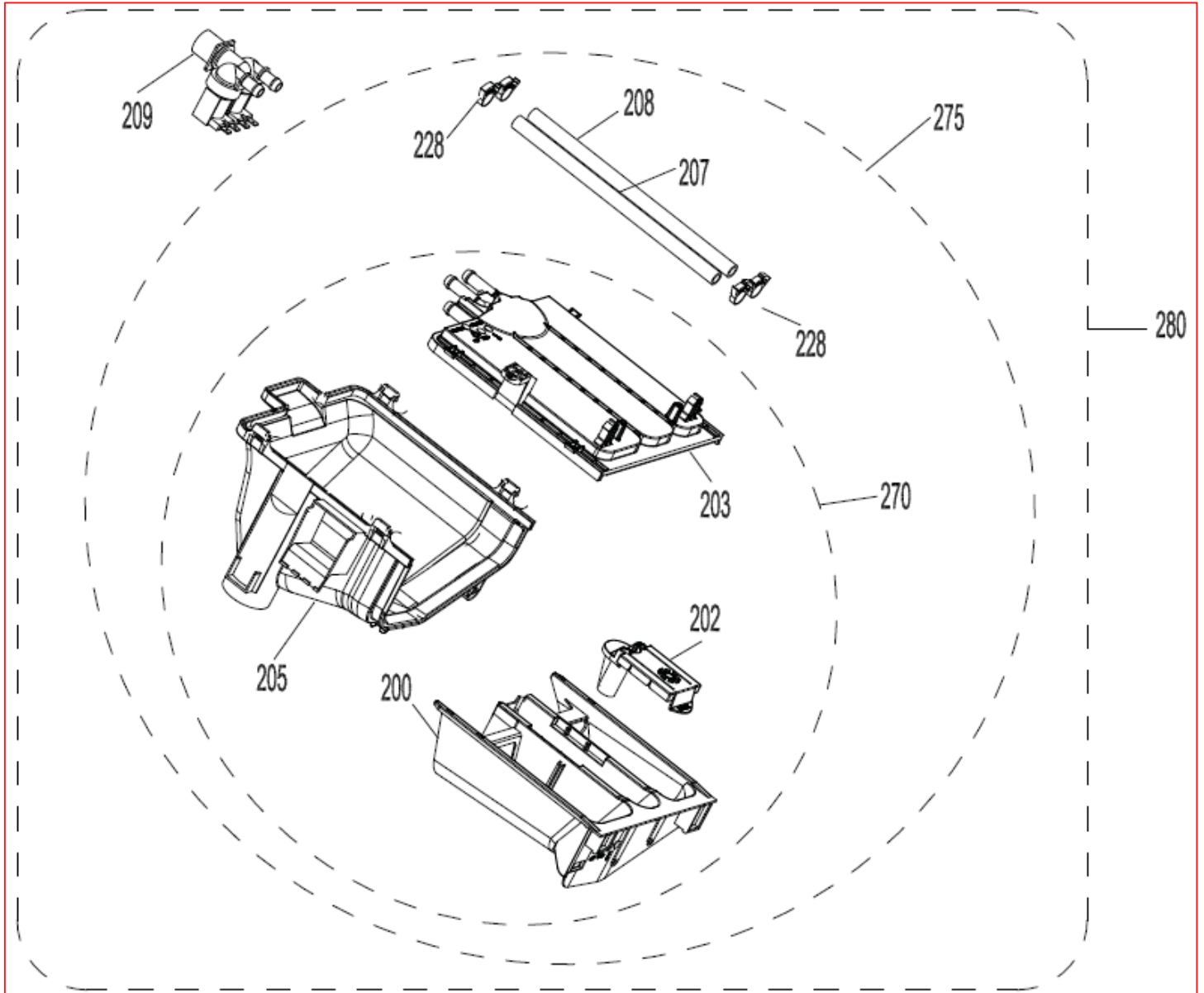


14.4.2. Circulation Group Replacement Parts List

REF. NO	PART NAME	CODE	QTY	REMARKS
921	TWIN JET HORN/LEFT	AXWTJH-25993	1	
922	TWIN JET HORN/RIGHT	AXWTJH-25992	1	
410	SCREW 4X14 PAN HEAD TYPE 2	AXWSS5-07242	1	
923	TWIN JET T-ELBOW	AXWTJT-25561	1	
924	HANDCUFFS O20.2	AXW2HC-08653	3	
925	TWIN JET NOZZLE	AXWTJN-25574	2	
931	TWIN JET HOSE_H NO:2	AXWTJH-25991	1	
927	TWIN JET CBL HOSE HLDR PLASTIC	AXWTJC-25867	5	
928	HANDCUFFS O26.8	AXW2HC-09578	1	
929	PUMP PROTECTION FOIL-3	AXW1PF-04693	1	
930	TWIN JET HOSE_N NO:1	AXWTJH-25194	1	
118	TUB BELLOWS SEAL	AXW212-25995	1	
926	CIRCULATION PUMP	AXW8CP-06191	1	⚠
285	PUMP GR.(FLTR,TH,PROTECT)	AXW8FT-06391	1	⚠
446	ISO 7049 ST 4,2x13 TYPE 2	AXWSS6-07273	1	
918	DRAIN FILTER	AXWDF-653900	1	
932	HANDCUFFS Ø15.88	AXW2HC-08652	4	
933	P-CIRCULTN TUB GASKET GR	AXW21D-31321	1	
934	TWIN JET HOSE GROUP	AXWTJH-34816	1	

14.5 Detergent Drawer Group Parts

14.5.1. Exploded View Detergent Drawer Group Parts

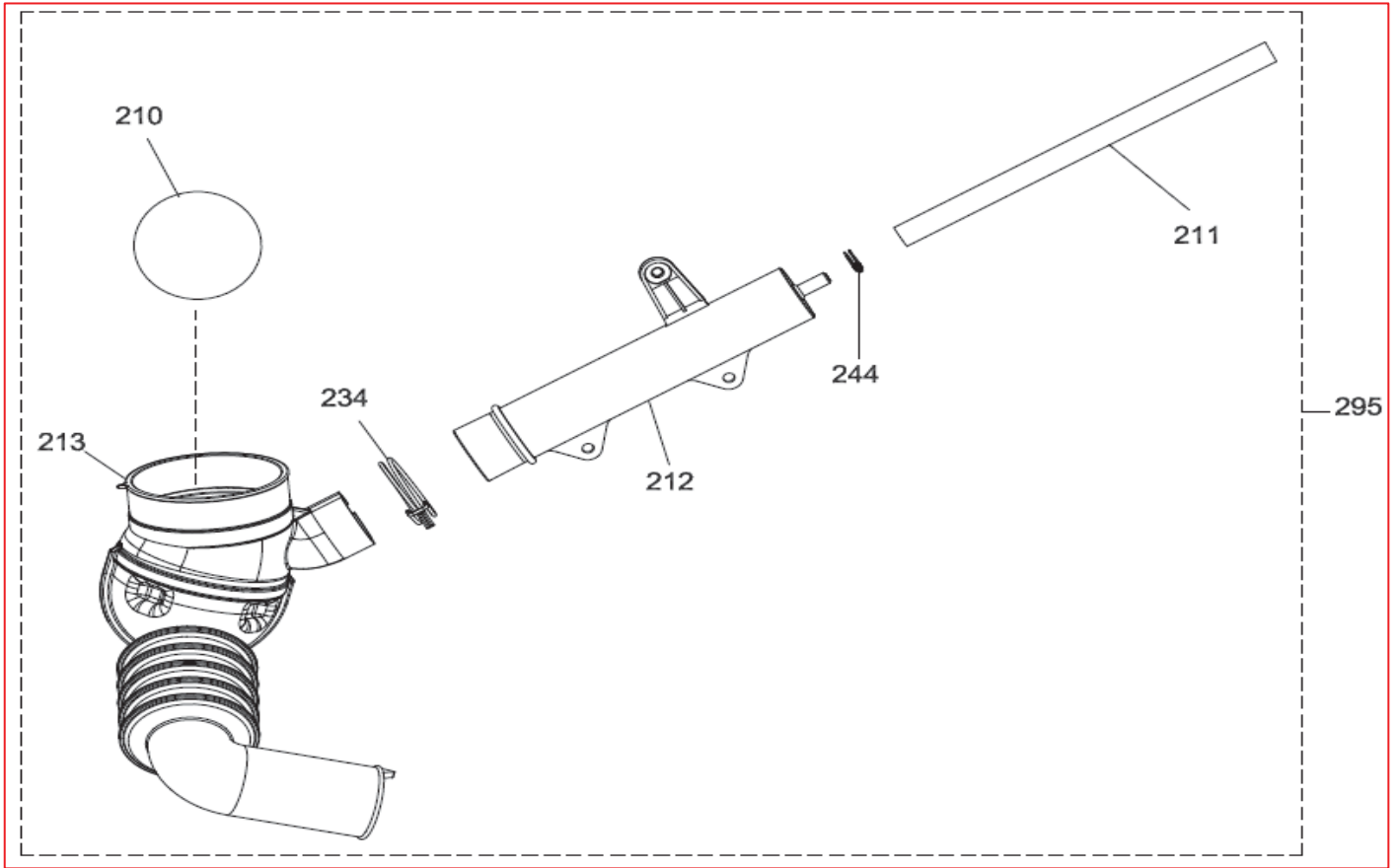


14.5.2. Detergent Drawer Group Replacement Parts List

REF. NO	PART NAME	CODE	QTY	MODEL	REMARKS
203	WATER DISTRIBUTION PLATE GR	AXW1WD-19141	1		
205	DETERGENT DRAWER HOUSING	AXW1DD-19136	1		
200	DETERGENT DRAWER	AXW1V-605590	1		
202	SIPHON COVER	AXW1PV-05600	1		(U)
228	PLASTIC HOSE CLAMP	AXW1PH-04189	4		
207	VALVE-DETERGENT BOX HOSE	AXW1VD-04536	1	NA-127VB4 - NA-147VB4	
		AXW1VD-04537	1	NA-128VB4 - NA-148VB4	
208	VALVE-DETERGENT BOX HOSE	AXW1VD-07796	1	NA-127VB4 - NA-147VB4	
		AXW1VD-07797	1	NA-128VB4 - NA-148VB4	
209	VALVE(TWO EXIT)	AXW1VT-13042	1		⚠
270	DETERGENT BOX GROUP	AXW21D-60571	1	NA-148VB4	
		AXW21D-60574	1	NA-147VB4 - NA-148VB4	
275	DETERGENT BOX GROUP/HOSE	AXW31D-60572	1	NA-127VB4	
		AXW31D-60577	1	NA-128VB4	
		AXW31D-60573	1	NA-147VB4	
		AXW31D-60578	1	NA-148VB4	
280	DETERGENT BOX GROUP/FULL	AXW41D-56640	1	NA-127VB4	⚠
		AXW41D-56641	1	NA-128VB4	⚠
		AXW41D-56642	1	NA-147VB4	⚠
		AXW41D-56643	1	NA-148VB4	⚠

14.6 Pressure Switch Hose Group Parts

14.6.1. Exploded View Pressure Switch Hose Group Parts

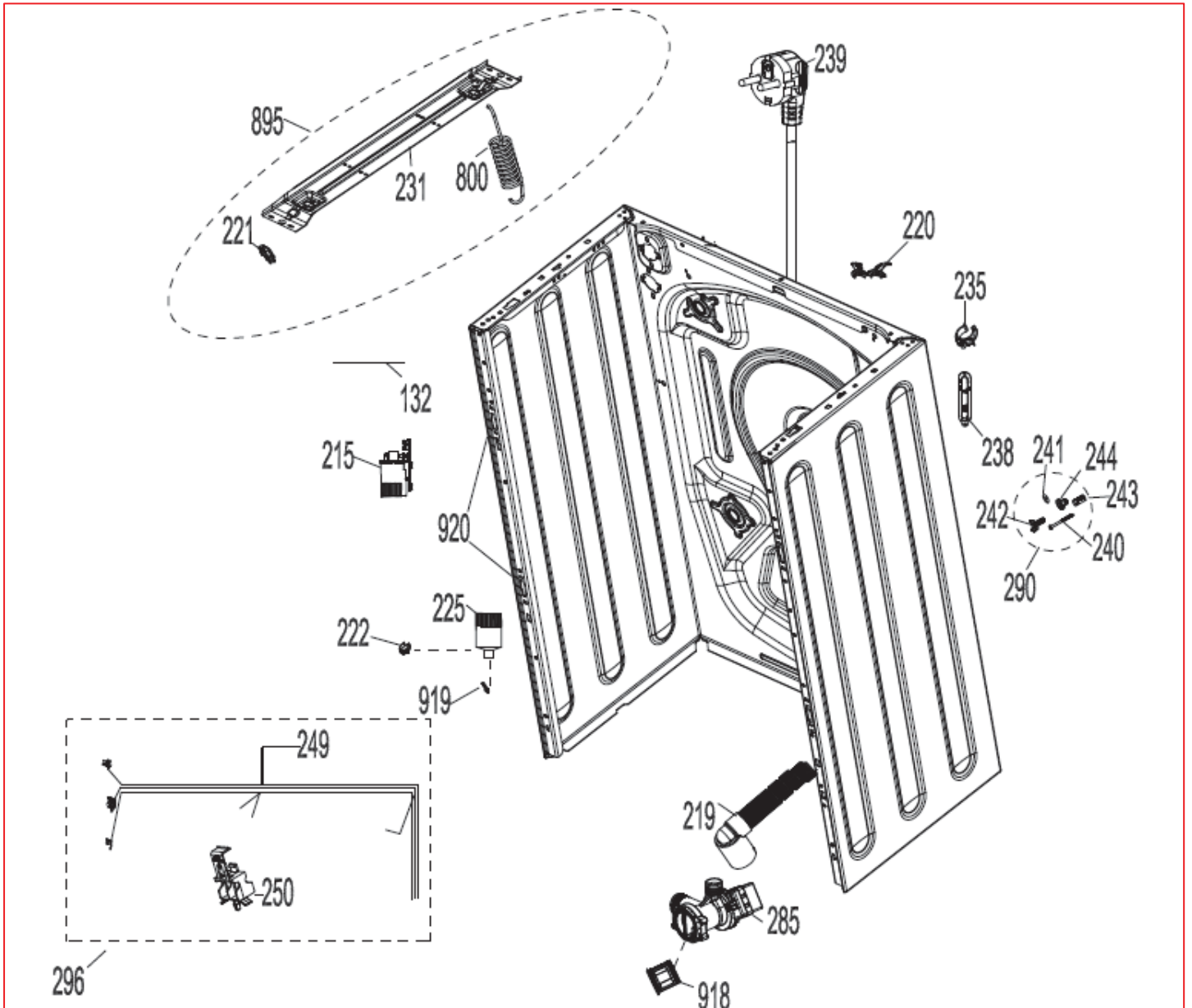


14.6.2. Pressure Switch Hose Group Replacement Parts List

REF. NO	PART NAME	CODE	QTY	REMARKS
210	TUB EXIT BELLOW HOSE BALL	AXW1BB-10200	1	
211	PRESSURE SWITCH HOSE	AXW1PS-19319	1	
212	PRESSURE SW WATER RESERVOIR	AXW1PS-20089	1	
213	TUB EXIT WITH BELLOW HOSE	AXW1250-4954	1	
234	HOSE HANDCUFFS O32,7	AXW1HC-07366	1	
244	HOSE HANDCUFFS	AXW1HC-08991	1	
295	PRESSURE SW H GR.PYT BALL SYST	AXW2PS-29739	1	

14.7 Body Group Parts

14.7.1. Exploded View Body Group Parts

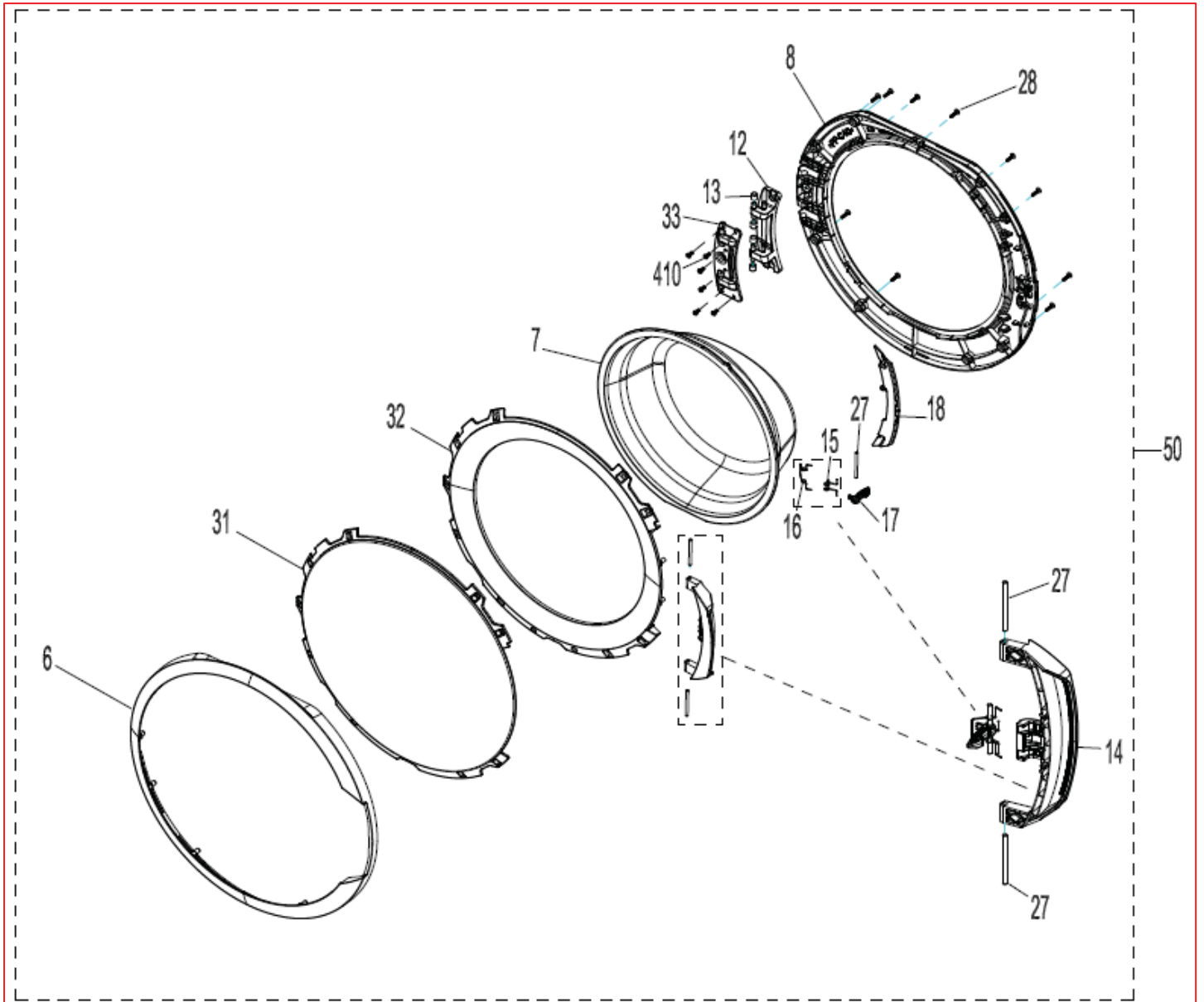


14.7.2. Body Group Replacement Parts List

REF. NO	PART NAME	CODE	QTY	MODEL	REMARKS
285	PUMP GR.(FLTR,TH,PROTECT)	AXW8FT-06391	1		⚠
220	DRAIN HOSE ROUTER PLASTIC	AXW1DH-19322	1		
219	DRAIN HOSE	AXW1DH-08945	1		
225	ELECTRONIC PRESSURE SENSOR	AXW1EP-06187	1		⚠
215	EMI FILTER	AXW2EF-15002	1		⚠
249	CBL HARN	AXW14B-13279	1	NA-127VB4 - NA-147VB4	⚠
		AXW14B-13277	1	NA-128VB4 - NA-148VB4	⚠
250	CABLE HARNESS HOLDER PLS	AXW1CH-22148	1		
800	TUB SPRING	AXW3441-5307	2	NA-127VB4 - NA-147VB4	
		AXW3441-4888	2	NA-128VB4 - NA-148VB4	
221	HANGER SPRING SHEETIRON PLS.	AXW1HS-16727	2		
235	DRAIN HOSE HOLDING PLS	AXW1HC-14270	4		
239	POWER CORD GROUP	AXW4A-17511	1	EU COUNTRY EXCEPT UK	⚠
		AXW4A-17512	1	UNITED KINGDOM	⚠
222	PRESSURE SW MOUNTING CLIP	AXW1HC-22768	1		
238	SPEED CONTROL HOLE STOPPER	AXW1SC-16338	1		
296	CBL GR	AXW2CB-13278	1	NA-127VB4 - NA-147VB4	⚠
		AXW2CB-13276	1	NA-128VB4 - NA-148VB4	⚠
242	TRANSPORT SCREW PLASTIC-A-II-P	AXW1TS-60786	4		
243	TRANSPORT SCREW PLASTIC-B-II-P	AXW1TS-60789	4		
240	TRANSPORT SCREW-2	AXWSB4-08363	4		
241	PLAIN WASHER 10.5X40X2.5	AXW420-08965	4		
231	SPRING HANGER SHEETIRON GR	AXW2SH-43472	1	NA-128VB4 - NA-148VB4	
		AXW2SH-70737	1	NA-127VB4 - NA-147VB4	
237	TRANSPORT SCREW STOPPER	AXW1TS-14437	5		
290	TRANSPORT SCREW GROUP	AXW2TS-15676	4		
132	CABLE TIE YKB150	AXWCT-075920	7		
918	DRAIN FILTER	AXWDF-653900	1		
919	HOSE CLAMP DIA 8.6	AXWHC-003440	1		
920	FRONT P DROP FIXING PL	AXWPV-204560	4		

14.8 Porthole Group Parts

14.8.1. Exploded View Porthole Group Parts



14.8.2. Porthole Group Replacement Parts List

REF. NO	PART NAME	CODE	QTY	REMARKS
28	SCR 3.5X16PAN.HE.W COL.CR.RE.	AXWSS7-08715	10	
8	INNER DOOR PLASTIC	AXW1DP-55347	1	
12	HINGE II-M5	AXW192-15559	1	
13	HINGE BUSHING II	AXW192-23907	4	
33	DOOR HINGE SUPPORT SHEET	AXW192-08152	1	
410	SCR 4X12PAN HE W CLR UNDER HE	AXWSB8-13513	6	
18	INNER DOOR PLS INSERT PART	AXW1DP-75590	1	
17	DOOR HOOK II.(METAL)	AXW1DH-08931	1	
15	HOOK SPRING	AXW1HS-07443	1	
16	HANDLE SPRING	AXW1HS-14985	1	
7	DOOR GLASS	AXW1GD-03771	1	
27	DOOR HANDLE TONGUE PIN	AXW1DH-07434	3	
14	DOOR HANDLE	AXW1DH-55930	1	
32	OUTER DOOR PLS. INNER FRAME	AXW1DS-75592	1	
31	FRONT DOOR COVER	AXW1DC-75594	1	
6	OUTER DOOR PLASTIC	AXW1DP-55910	1	