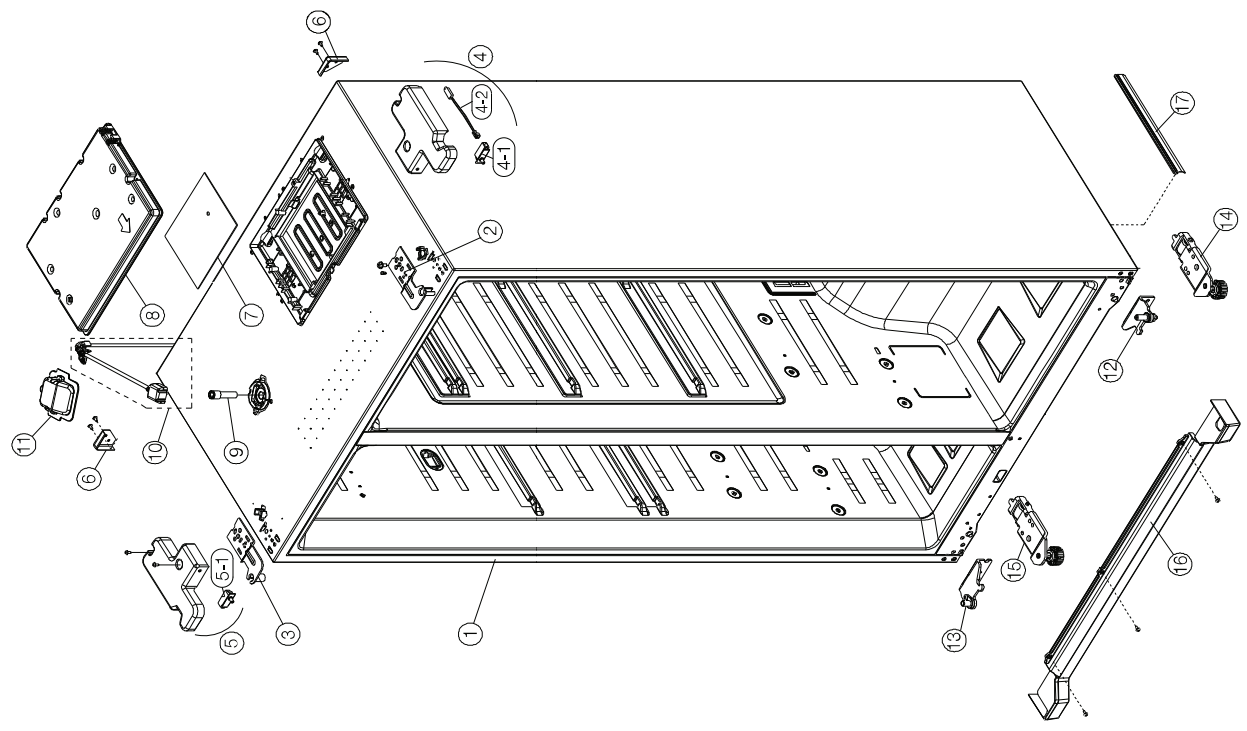
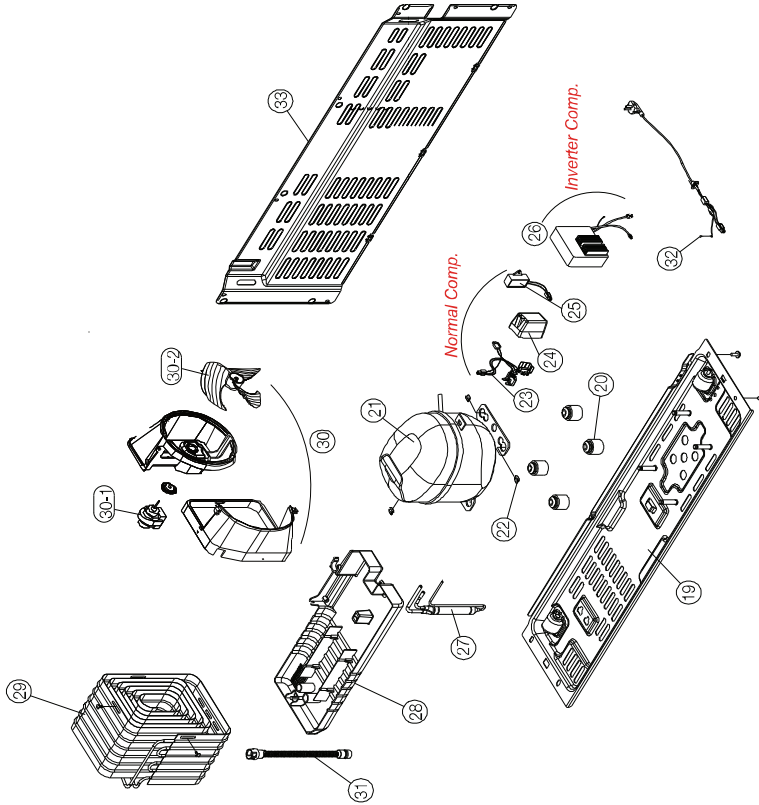


No	Part Code	Part Name	Description	Q'ty
1	-	ASSY CAB URT	-	1
2	3012933110	HINGE *T *R	PO T3.0	1
3	3012933010	HINGE *T *L	PO T3.0	1
4	3001436810	COVER HI *T *R AS	PP	1
4-1	3018125601	SWITCH H/ BAR DR AS	SP101B-2D1(G) GRAY	1
4-2	3014810600	SENSOR HUMID AS	DW-HS001A	1
5	3001436700	COVER HI *T *L AS	FRX-621B	1
5-1	3018125601	SWITCH H/ BAR DR AS	SP101B-2D1(G) GRAY	1
6	3010968400	CAP CAB COVER	PP	2
7	301431G070	PCB MAIN AS [CRUSHED ICE]	NORMAL COMP.	1
	301431G0G0		NORMAL COMP., H/BAR	
	301431G060		INVERTER COMP, A+, H/BAR	
	301431G080		INVERTER COMP, A++	
	301431G0D0		INVERTER COMP, A++ , H/BAR	
	301431G010		NORMAL COMP.	
	301431G0J0		NORMAL COMP., H/BAR	
	301431G030		INVERTER COMP, A+, H/BAR	
	301431G020		INVERTER COMP, A++	
	301431G0L0		INVERTER COMP, A++ , H/BAR	
8	300149CR00	COVER M/PCB BOX	FLAME RESISTING PP	1
9	3013227800	HOSE I/MAKER TUBE AS	FRQ-503D	1
10	3012553000	GUIDE CAB W/TUBE A AS	FRQ-503D	1
11	300149CY00	COVER GUIDE CAB W/TUBE A AS	FRQ-503D	1
12	3012933500	HINGE *U *R AS	FRX-621B	1
13	3012933400	HINGE *U *L AS	FRX-621B	1
14	3010684300	BRACKET ADJ FT *R AS	FRQ-503D	1
15	3010684200	BRACKET ADJ FT *L AS	FRQ-503D	1
16	3001433900	COVER CAB BRKT	PP	1
17	3012325810	GASKET CAB BASE	PVC	1



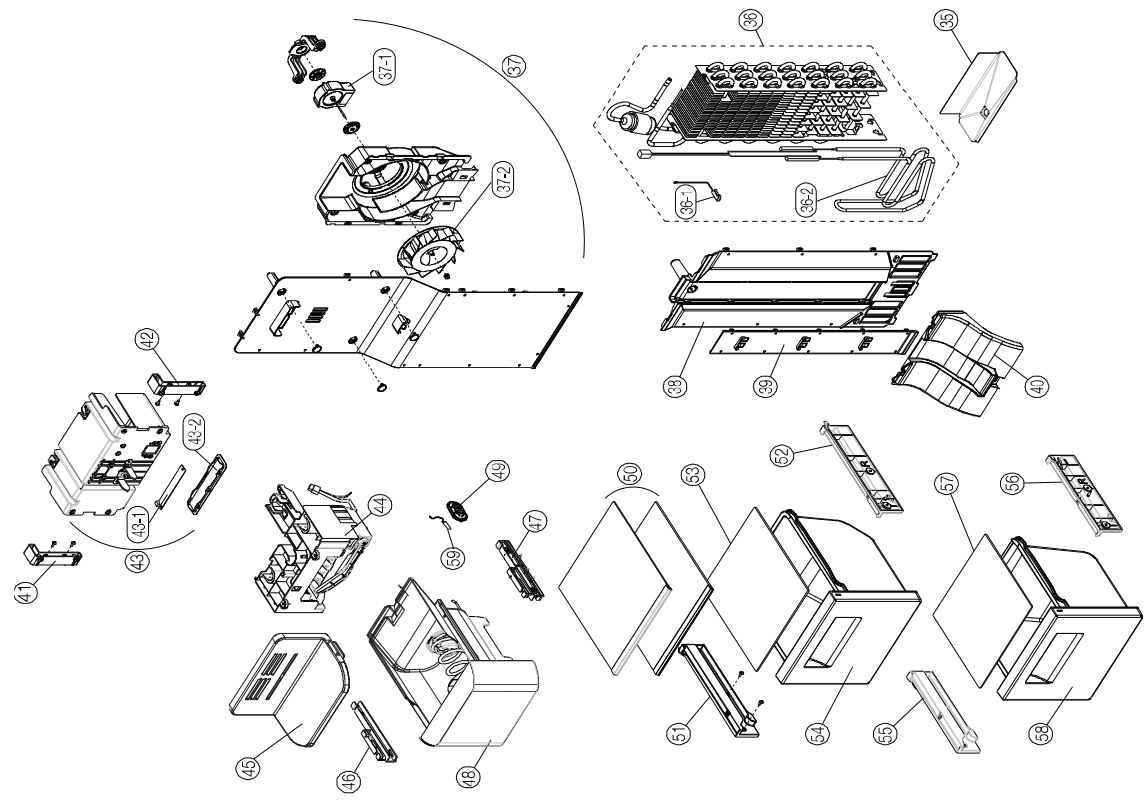
- Some parts can be changed for improving their performance without notice.

No	Part Code	Part Name	Description	Q'ty	
				Normal Comp	Inverter Comp
19	3010359600	BASE COMP AS	FRX-621B	1	
20	3010101600	ABSORBER COMP	R-134a Comp.Only	1	
	3010101480	ABSORBER COMP AS	R-600a Comp. Only		
	3956180045	COMPRESSOR	NW80LHP4-L, 220V/60Hz[R-134a]	1	X
21	3956112950		CMA121NAEM, 220-240V/50Hz[R600a]		
	39591A5290		ENV4A5G-L2B/220-240V/50.60Hz[R600a]	X	1
	395911M70		VESD11C 230V-.50Hz[R600a]		
	3016002500	WASHER COMP	SK-5 TO.8XW22XL24.5	3	
23	3018129750	SWITCH P RELAY AS	NW80LHP4-L, 265NHB.S330	1	X
	3018135000	COVER RELAY	CMA121NAEM.4TM213SFB. 330MD2	1	X
24	3811400503	COVER RELAY	PP(SW5101SW),NW80LHP4-L,	1	X
	3811402510		MG98.CMA121NAEM		
25	3016402060	CAPACITOR RUN	400VAC/6 μF ( WIRE, P2),NW80LHP4-L	1	X
	3016406100		400VAC/5 μF ( WIRE, P2), CMA121NAEM		
26	3814300600	BOX INVERTER AS	ENV4A5G-L2B	X	1
	3010587200		VESD11C		
27	3016808100	DRYER AS	-	1	
28	3011199100	CASE VAPORI AS	FRX-621B(PP NATURAL)	1	
29	3014461530	PIPE WICON AS	FRU-57(SBS)	1	
30	3018410500	MOUTHHELL AS	FRX-621B	1	
30-1	3015920900	MOTER C FAN	D4612AAA31	1	
30-2	3011836300	FAN	PP OD3.17*D150	1	
31	3013222900	HOSE DRN B	PE	1	
32	OPTION	CORD POWER AS	country dependent	1	
33	3001436510	COVER MACH RM AS	PCM / T0.4	1	



- Some parts can be changed for improving their performance without notice.

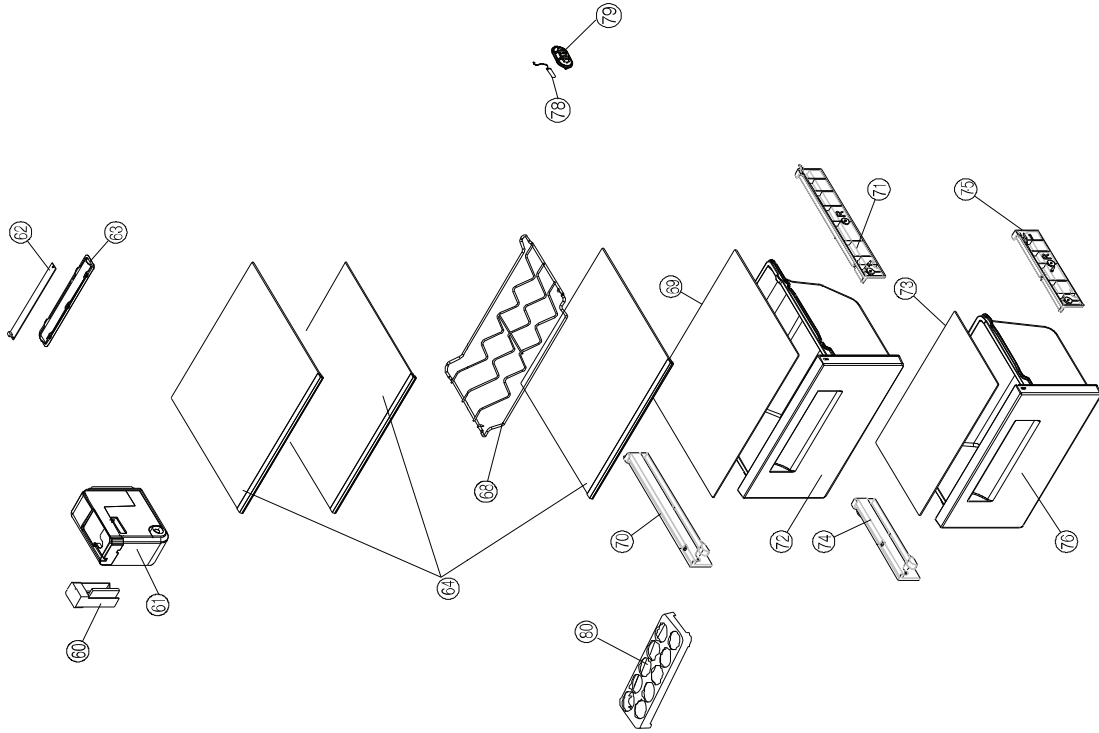
NO	PART-CODE	PART NAME	SPEC.	Q'ty	
				All Models	
35	3012551400	GUIDE DRN	SGCC	1	
36	3017071100	EVA AS	220-240V, 250W	1	
36-1	3014809500	SENSOR D AS	PBN-43	1	
36-2	3012832100	HEATER SHEATH AS	220-240V, 250W	1	
37	3018933900	LOUVER F A AS	FRQ-503D	1	
37-1	3015920700	MOTOR F FAN AS	DL-5985DWRA	1	
37-2	3011636400	FAN F	ABS	1	
38	3018933800	LOUVER F B AS	-	1	
39	3018933700	LOUVER F D	HIPS	1	
40	300149C400	COVER F RETURN	HIPS	1	
41	3012517800	GUIDE G MOTR BRKT*L	ABS	1	
42	3012517900	GUIDE G MOTR BRKT*R	ABS	1	
43	3010663500	BRACKET G/MOTR AS (NORMAL)	220-240V/50Hz	1	
	3010663510		220V/60Hz		
	3010663520		120V/60Hz		
	3010663700		220-240V/50Hz		
	3010663710	BRACKET G/MOTR AS (CRUSHED ICE)	220V/60Hz	1	
	3010663720		120V/60Hz		
43-1	30143LR300	PCB FRE LED AS	CEM-1.5LED	1	
43-2	3015517200	WINDOW F LED *T	ABS	1	
44	3012250000	FRAME I/MAKER AS	FRQ-503D	1	
45	300149C1000	COVER I/CRUSHER*T	HIPS	1	
46	3012552300	GUIDE I/CRUSHER *L	ABS	1	
47	3012552400	GUIDE I/CRUSHER *R	ABS	1	
48	301119WB00	CASE I/CRUSHER AS	NORMAL	1	
	301119WC00		CRUSHED ICE		
49	300149D800	COVER SENSOR	ABS	1	
50	3017863510	SHELF F A AS	FRQ-503D	2	
51	3012553600	GUIDE CASE A *L AS	PP	1	
52	3012553700	GUIDE CASE A *R AS	PP	1	
53	3017865900	SHELF F B AS	-	1	
54	301119WE00	CASE F *T AS	GPPS	1	
	301119WE10		GPPS+METAL DECO [Option]		
55	3012553800	GUIDE CASE C *L AS	PP	1	
56	3012553900	GUIDE CASE C *R AS	PP	1	
57	3017866000	SHELF F C AS	-	1	
58	301119WF00	CASE F *U AS	GPPS	1	
	301119WFT0		GPPS+METAL DECO [Option]		
59	3014612100	SENSOR D AS	-	1	



**Refrigerator Compartment**

NO	PART-CODE	PARTNAME	SPEC.	Q'ty	
					All Models
60	3016767100	DAMPER AS	DU24-013		1
61	300149C X00	COVER DAMPER AS	FRQ-503D		1
62	30143LR400	PCB REF LED AS	CEM-1.9LED		1
63	3015517100	WINDOW R LED *T	ABS		1
64	3017863610	SHELF R A AS	-		3
68	3017865100	SHELF WINE	SUS 304[Option]		1
69	3017863300	SHELF GLAS R B	-		1
70	3012554000	GUIDE VEGETB CASE A *L AS	PP		1
71	3012554100	GUIDE VEGETB CASE A *R AS	PP		1
72	301119WG00	CASE VEGETB *T AS	GPPS		1
	301119WG10		GPPS+METAL DECO [Option]		
73	3017863400	SHELF GLAS R C	-		1
74	3012553800	GUIDE CASE C *L AS	PP		1
75	3012553900	GUIDE CASE C *R AS	PP		
76	301119WH00	CASE VEGETB *J AS	GPPS		1
	301119WH10		GPPS+METAL DECO [Option]		
77	3010580800	BOX W/PUMP AS	FPX-602		1
77-1	3018450000	PUMP DISPENSER AS	DC 12V, SANKYO		1
77-2	3018450100	PUMP I/MAKER AS	DC 12V, SANKYO		1
78	3014812200	SENSOR R AS	-		1
79	300149D800	COVER SENSOR	ABS		1
80	3011190800	CASE EGG TRAY	GPPS		1

- Some parts can be chaged for improving their performance without notice.

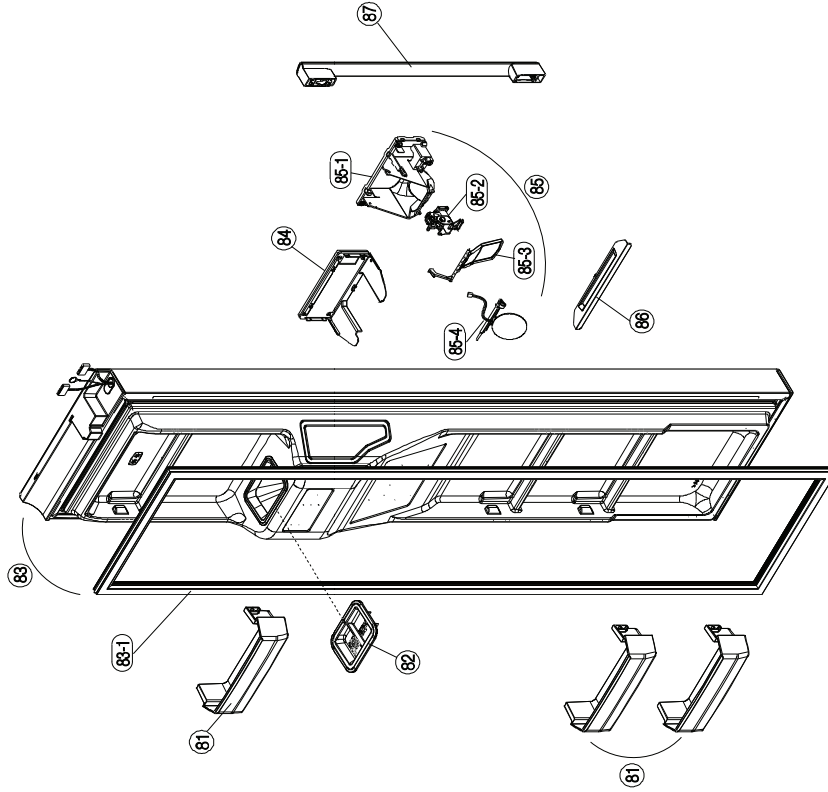


**Pocket & Panel parts code.**

NO	PART-CODE	PART NAME	SPEC.	Q'ty
81	3019071300	POCKET F	GPPS	3
	3019071600		GPPS+METAL DECO [Option]	
82	300149CP00	COVER I/PATH FRAME	HIPS	1
	3014258200		NORMAL	
84	3014258300	PANEL *F CONTL AS	CRUSHED ICE	1
	3014260600		NORMAL	x
	3014260700		CRUSHED ICE	1
	3010585600		FRQ-503D	1
85-1	3010585200	BOX DISPNS I/SHUT	HIPS	1
85-2	3015922800	MOTOR I/SHUT AS	DC12V (SCD)	1
85-3	3013704600	LEVER DISPNS BOX	PC	1
85-4	300149CT00	COVER ICE FLAP AS	FRQ-503D	1
86	30124M1500	GRILL DISPNS	ABS	1

**Door & Handle parts code.**

NO	PART-CODE	PART NAME	SPEC.	Q'ty
83	30100C4E00	ASSY F DR	FRQ-503D(DWH1C)	1
	30100C4E10		FRQ-503D(TSH5E)	
	30100C4E30		FRQ-503F(BLH6L)	
	30100C4E60		FRQ-503D(TSH5L)	
83-1	3012331600	GASKET F DR AS	PVC-S+MAGNET	1
	3012331620		BLACK PVC-S + MAGNET	
87	3012661000	HANDLE F DR AS	NORMAL	1
	3012661010		SPRAY	



- Some parts can be changed for improving their performance without notice.

Pocket & Panel parts code.

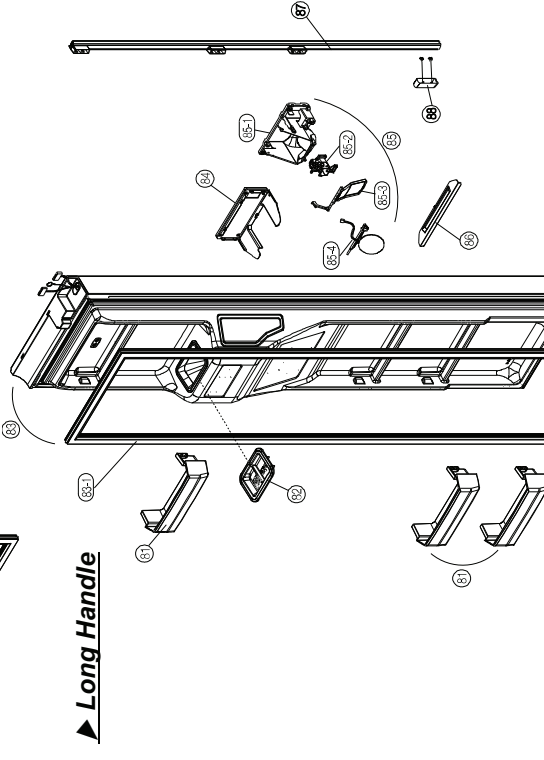
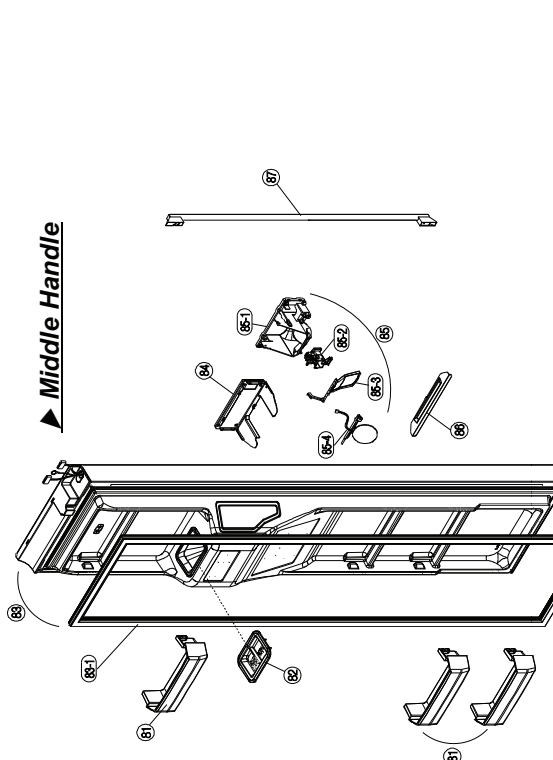
NO	PART-CODE	PART NAME	SPEC.	Q'ty
81	3019071300	POCKET F	GPPS	3
	3019071600		GPPS+METAL DECO(OPTION)	
82	300149CP00	COVER I/PATH FRAME	HIPS	1
	3012331600		PVC-S+MAGNET	
83-1	3012331620	GASKET F DR AS	BLACK PVC-S + MAGNET	1
	3014258200		NORMAL	
84	3014258300	PANEL *F CONTL AS	CRUSHED ICE	1
	3014260600		NORMAL	x
	3014260700		CRUSHED ICE	1
	3010585600		FRQ-503D	
85	3010585600	BOX DISPNS I/SHUT AS		
85-1	3010585200	BOX DISPNS I/SHUT	HIPS	
85-2	3015922800	MOTOR I/SHUT AS	DC12V (SCD)	
85-3	3013704600	LEVER DISPNS BOX	PC	
85-4	300149CT00	COVER ICE FLAP AS	FRQ-503D	1
86	30124M1500	GRILL DISPNS	ABS	

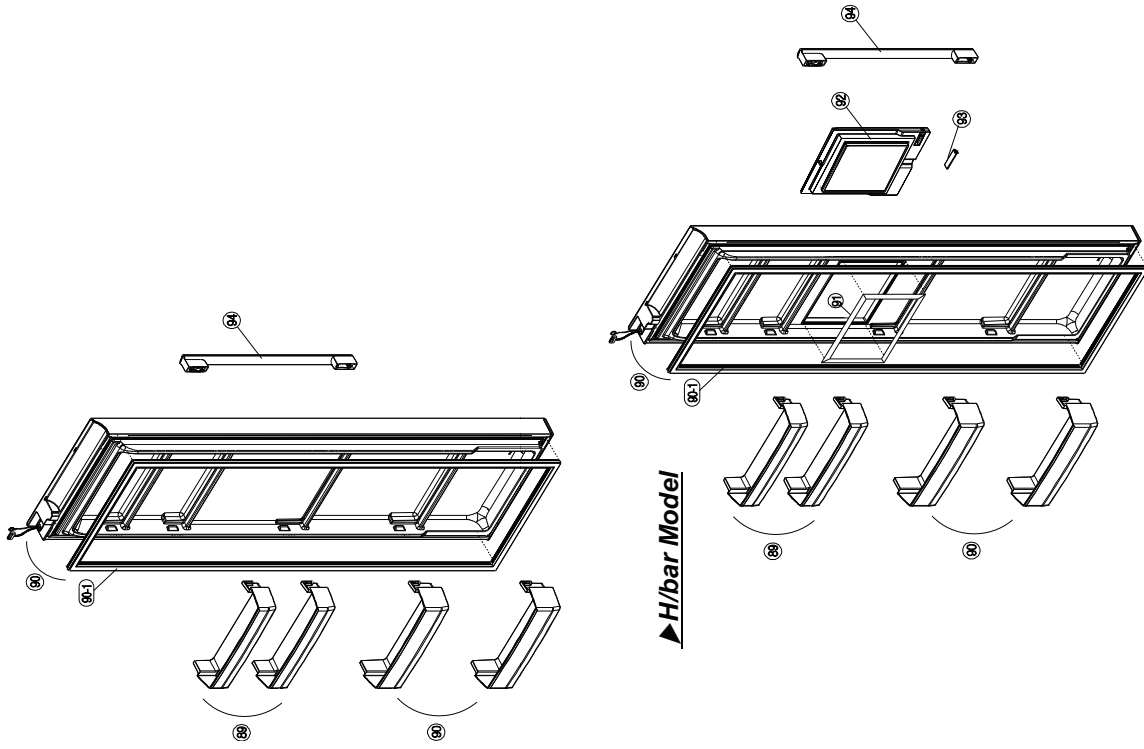
Door & Handle parts code. Middle Handle

NO	PART-CODE	PART NAME	SPEC.	Q'ty
83	30100CAJ00	ASSY F DR	FRQ-501(A),(TSH5E)	1
	30100CAJ10		FRQ-50(1,A)D(FSH2L)	
	30100CAJ20		FRQ-50(1,A)D(BLH6L)	
	30100CAJ30		FRQ-50(1,A)D(TSH5L)	
83-1	3012331600	GASKET F DR AS	PVC-S+MAGNET	1
	3012331620		BLACK PVC-S + MAGNET	
87	3012661400	HANDLE F DR AS	NORMAL	1
	3012661410		SPRAY	

Door & Handle parts code. Long Handle

NO	PART-CODE	PART NAME	SPEC.	Q'ty
83	30100C4E40	ASSY F DR	FRQ-505(E),(BLH6L)	1
	30100C4E50		FRQ-505(E),(SUS430)	
83-1	3012331600	GASKET F DR AS	PVC-S+MAGNET	1
	3012331620		BLACK PVC-S + MAGNET	
87	3012653710	HANDLE F DR AS	LONG HANDLE	1
	3015320100		SUPPORTER F HND L *U	





**Pocket & Panel parts code.**

NO	PART-CODE	PART NAME	SPEC.	Q'ty
89	3019071400	POCKET R *T	GPPS	2
	3019071700		GPPS+METAL DECO(OPTION)	
90	3019071500	POCKET R *U	GPPS	2
	3019071800		GPPS+METAL DECO(OPTION)	

**Door & Handle parts code.**

NO	PART-CODE	PART NAME	SPEC.	Q'ty
90	30100C4G00	ASSY R DR	FRQ-503(C), (DWH1C)	1
	30100C4G10		FRQ-503(C), (TSH5E)	
	30100C4G50		FRQ-503(C), (TSH6L)	
90-1	3012331700	GASKET R DR AS	PVC-S+MAGNET	1
	3012331720		BLACK PVC-S + MAGNET	
94	3012661100	HANDLE R DR AS	NORMAL	1
	3012661110		SPRAY	

**Door & Handle parts code. (H/bar Model)**

NO	PART-CODE	PART NAME	SPEC.	Q'ty
90	30100C4100	ASSY R DR	FRQ-503(C), (DWH1C)	1
	30100C4110		FRQ-503(C), (BLH6L)	
	30100C4120		FRQ-503(C), (TSH5E)	
90-1	3012331700	GASKET R DR AS	PVC-S+MAGNET	1
	3012331720		BLACK PVC-S + MAGNET	
91	3012326200	GASKET H/BAR B AS	-	1
92	3001707720	DOOR H/BAR AS	TITANIUM	1
	3001707730		WHITE	
93	3001432800	COVER H/BAR HI BRKT	ABS	1
94	3012661100	HANDLE R DR AS	FRN-Q19*3	1
	3012661110		FRN-Q19*C	

- Some parts can be chaged for improving their performance without notice.

**Pocket & Panel parts code.**

NO	PART-CODE	PART NAME	SPEC.	Q'ty
89	3019071400	POCKET R *T	GPPS	2
	3019071700		GPPS+METAL DECO(OPTION)	
90	3019071500	POCKET R *U	GPPS	2
	3019071800		GPPS+METAL DECO(OPTION)	

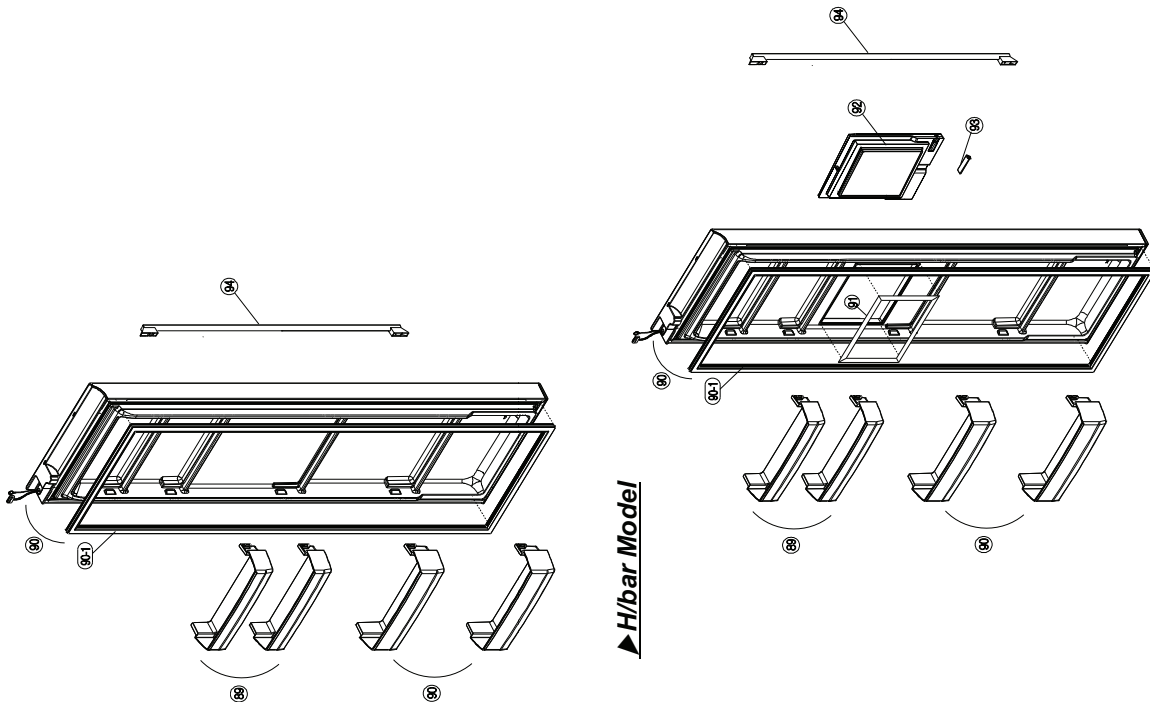
**Door & Handle parts code.**

NO	PART-CODE	PART NAME	SPEC.	Q'ty
90	30100C5A800	ASSY R DR	FRQ-501(A), (DWH1C)	1
	30100CAK00		FRQ-501(A), (TSH5E)	
	30100CAK10		FRQ-501(A), (TSH5L)	
90-1	3012331700	GASKET R DR AS	PVC-S+MAGNET	1
	3012331720		BLACK PVC-S + MAGNET	
94	3012661500	HANDLE R DR AS	FRN-Q19*1 Only	1
	3012661510		FRN-Q19*A Only_(SPRAY)	

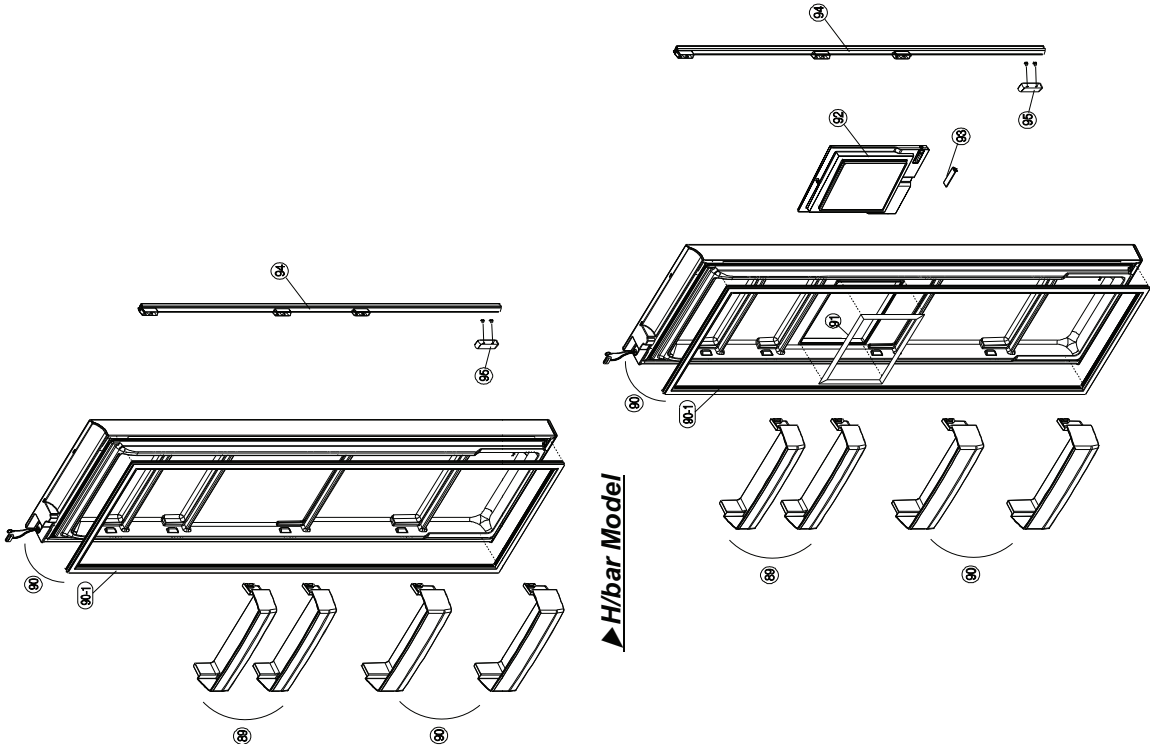
**Door & Handle parts code. (H/bar Model)**

NO	PART-CODE	PART NAME	SPEC.	Q'ty
90	30100C5A00	ASSY R DR	FRQ-501(A), (DWH1C)	1
	30100CAD00		FRQ-501(A), (TSH5E)	
90-1	3012331700	GASKET R DR AS	PVC-S+MAGNET	1
	3012331720		BLACK PVC-S + MAGNET	
91	3012326200	GASKET H/BAR B AS	-	1
92	3001707720	DOOR H/BAR AS	TITANIUM	1
	3001707730		WHITE	
93	3001432800	COVER H/BAR HI BRKT	ABS	1
94	3012661500	HANDLE R DR AS	FRN-Q19*1 Only	1
	3012661510		FRN-Q19*A Only_(SPRAY)	

- Some parts can be chaged for improving their performance without notice.







**Pocket & Panel parts code.**

NO	PART-CODE	PART NAME	SPEC.	Q'ty
89	3019071400	POCKET R *T	GPPS	2
	3019071700		GPPS+METAL DECO(OPTION)	
90	3019071500	POCKET R *U	GPPS	2
	3019071800		GPPS+METAL DECO(OPTION)	

**Door & Handle parts code.**

NO	PART-CODE	PART NAME	SPEC.	Q'ty
90	30100C4G20	ASSY R DR	FRQ-505(E), (FSH2L)	1
	30100C4G30		FRQ-501(A), (BLH6L)	
	30100C4G40		FRQ-501(A), (SUS430)	
90-1	3012331700	GASKET R DR AS	PVC-S+MAGNET	1
	3012331720		BLACK PVC-S + MAGNET	
94	3012653610	HANDLE R DR AS	LONG HANDLE ,X600	1
95	3015319700	SUPPORTER R HND L *U	ABS	

**Door & Handle parts code. (H/bar Model)**

NO	PART-CODE	PART NAME	SPEC.	Q'ty
90	30100C4J10	ASSY R DR	FRQ-505(E), (FSH2L)	1
	30100C4J40		FRQ-505(E), (SUS430)	
90-1	3012331700	GASKET R DR AS	PVC-S+MAGNET	1
	3012331720		BLACK PVC-S + MAGNET	
91	3012326200	GASKET H/BAR B AS	-	1
92	3001707720	DOOR H/BAR AS	TITANIUM	1
	3001707730		WHITE	
93	3001432800	COVER H/BAR HI BRKT	ABS	1
94	3012653610	HANDLE R DR AS	LONG HANDLE ,X600	1
			ABS	
95	3015319700	SUPPORTER R HND L *U	ABS	1

- Some parts can be changed for improving their performance without notice.